

E059S-SUS304
Premio Stainless Steel Mul Basket

Installation and
Operating Instruction

Thank you for using EXCEL Products

Please read the following requirements before installation

1: The cabinet must be the standard cabinet marked on the outer box;

2: The thickness of the side panels on both sides of the cabinet must be 16 or 18mm;

3: Cabinet height recommended $\geq 650\text{mm}$, (less than this size will affect daily use);

4: This manual is suitable for the installation of ordinary handle door, special door please refer to the general door size and then adjust their own, or consult EXCEL customer service hotline;

Note: If the cabinet failed to meet the requirements of point 1 or point 2, please do not install this product, thank you.)

Thank you for using EXCEL products

Daily maintenance and maintenance of products



1. Keep the inside of the basket clean and regularly cleaning the water tray.
2. To avoid the liquid spilled into the rail to ensure the normal work and life of the guide
3. Avoid contact with acid and alkaline, soy sauce, salt etc. in the basket

Common faults and handling methods

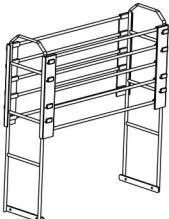
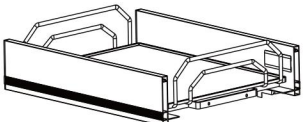
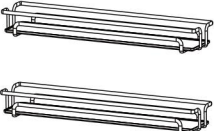
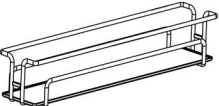
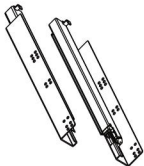
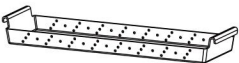
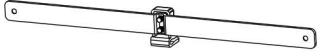



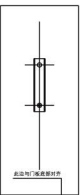
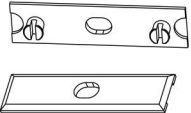


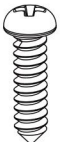



No.	Common Problem	Cause Analysis	Solution
1	Unsmooth Pulling Or Damping Failure	Rail damper is disabled Guide spring is damaged Rail lubricant is dry Deformation of rails Installation is not parallel Pull basket installation error There is a object in the slide	Replace the rail damper Replace the guide spring Add lubricant Replace the rails Adjust the rail mounting position Adjust the basket position Eliminate obstacles
2	Door Cannot Shut Properly Or Door Can't Close	Rail is not installed correctly Door assembly is not installed correctly Base deformation Door deformation Basket deformation Load overweight Basket door screw is loose	Adjust the rail mounting position Adjust the door assembly position Replace the base Replace the door plate Replace the basket Adjust the provisions in the basket Tighten the screws
3	Appear Spot or Foul Taste	Left unclean for long period of time	Clean the basket and water tray regulary
4	Hanging rail with pull basket push and roll is not smooth	Press the force button as specified Basket weight exceeded	Use the force button Reposition your items in the basket
5	Noise occurs when you pull or rotate the basket	Rotary connection loose Unwanted sound after long period of use	Properly fasten the connections Add lubricating oil to each connecting part

Please read the installation manual carefully before installing;

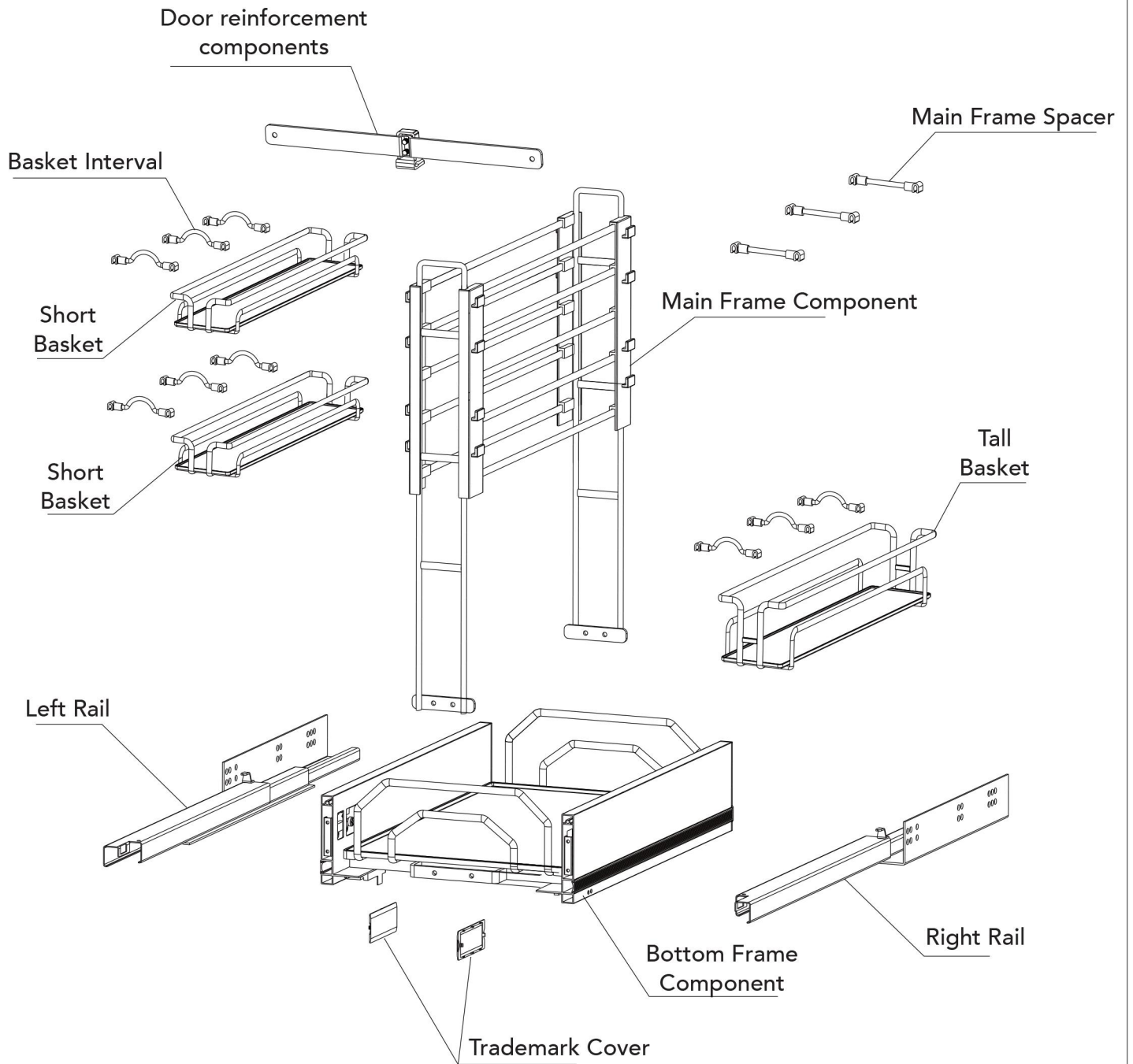
Please read the instruction manual carefully before installing and using this product, and follow the instructions to use it. The instructions in this manual are important for maintaining the good working condition of the product.

Packing List

Main Frame Components	Bottom Frame Components	Short Basket	Tall Basket
1 set	1 set	2 Pieces	1 Piece
			
Left & Right Rail	Center Plate	Door reinforcement components	Trademark Cover
1 set	1 Piece 300/350 Cabinet does not support this plate	1 set	2 Pieces
			
Basket Interval	Main Frame Spacer	Door Installation Template	2mm Side Plate
9 Strips		1 Piece	4 Pieces
	 400/450 Cabinet (2 Pieces) 300/350 Cabinet (3 Pieces)		 Side Plate 16mm thickness
M5 x 8	Countersunk Head ST4*14	Roundhead ST4*14	Expanded Dowel
4 Pieces	10 Pieces	4 Pieces	5 Pieces
			

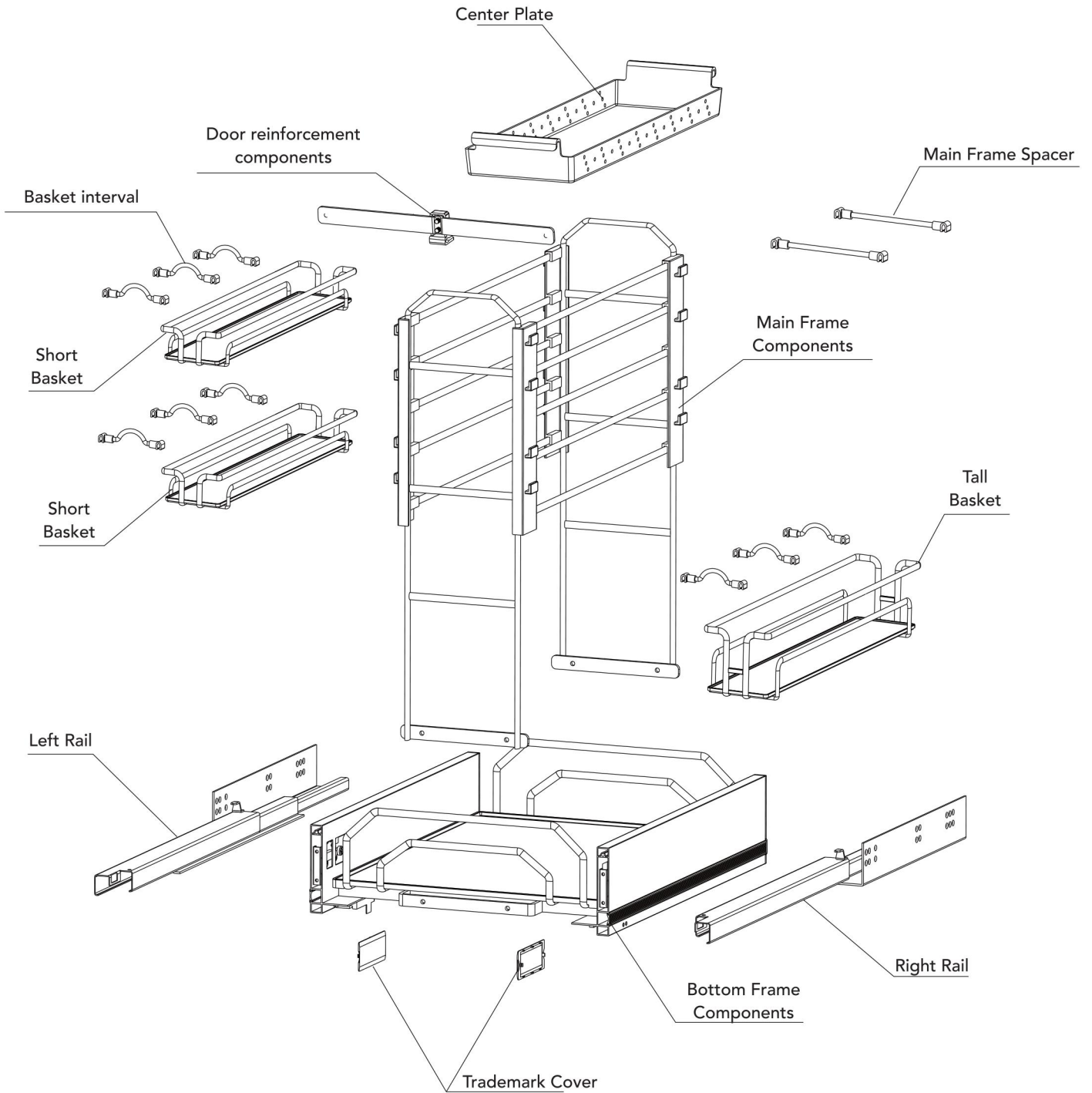
300/350 Cabinet

Name of each component



400/450 Cabinet

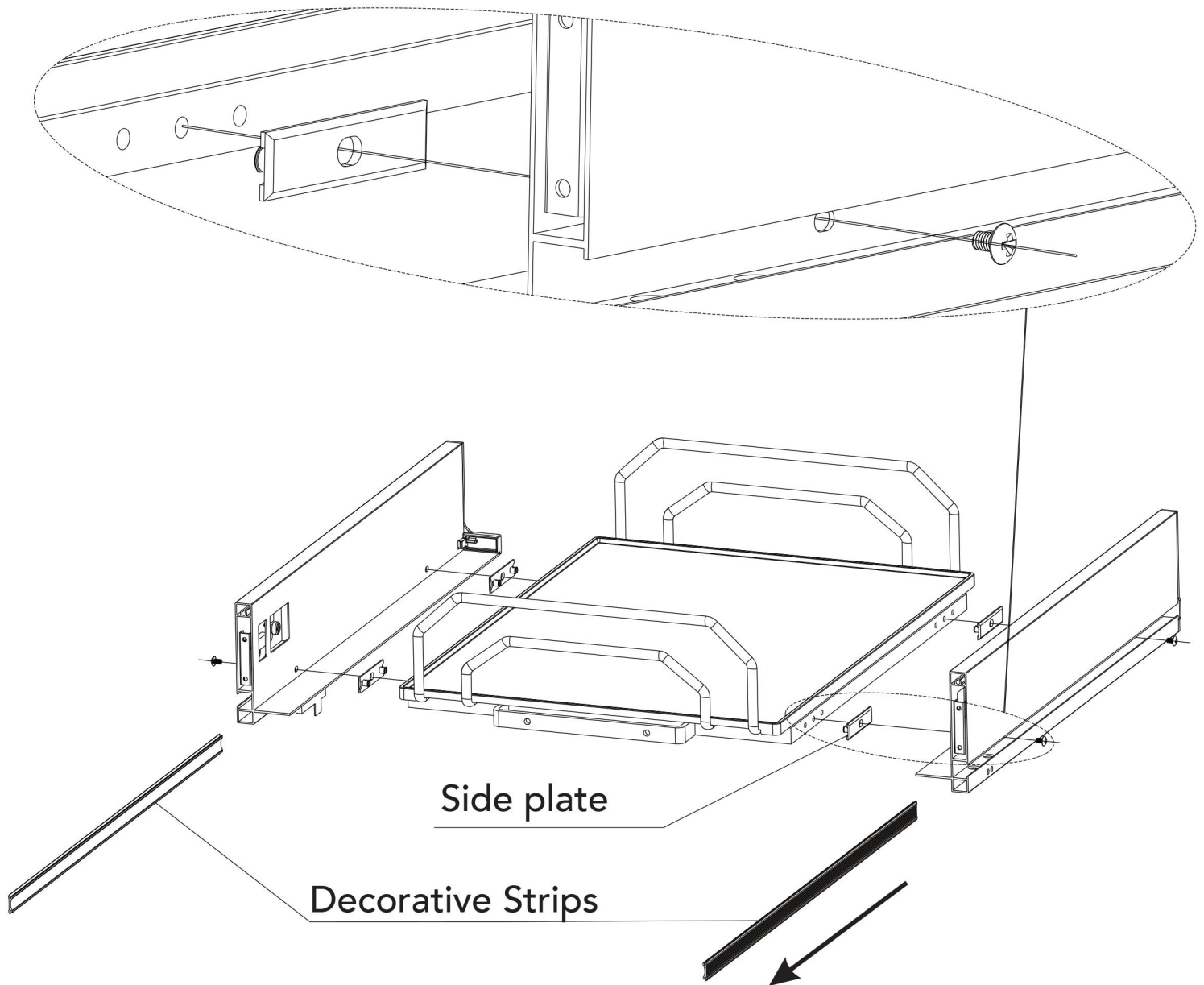
Name of each component



This page is suitable for: standard cabinet, side panel thickness 16mm cabinet installation, 18mm board ignore this step;

Note: The product has been assembled when the product is shipped. Adapt to standard cabinet, side panel thickness of 18mm;
If the thickness of the side panel of the cabinet is 16mm, please refer to the following method. First install 4 pieces of 2mm side plate on the bottom frame, and then complete the following (1-8mm) installation steps;

- 1: First (pull the strip) and then loosen the screws on both sides;
- 2: Place the 4 (2mm side plate) card on the lower frame, as shown below, and then tighten the screw;

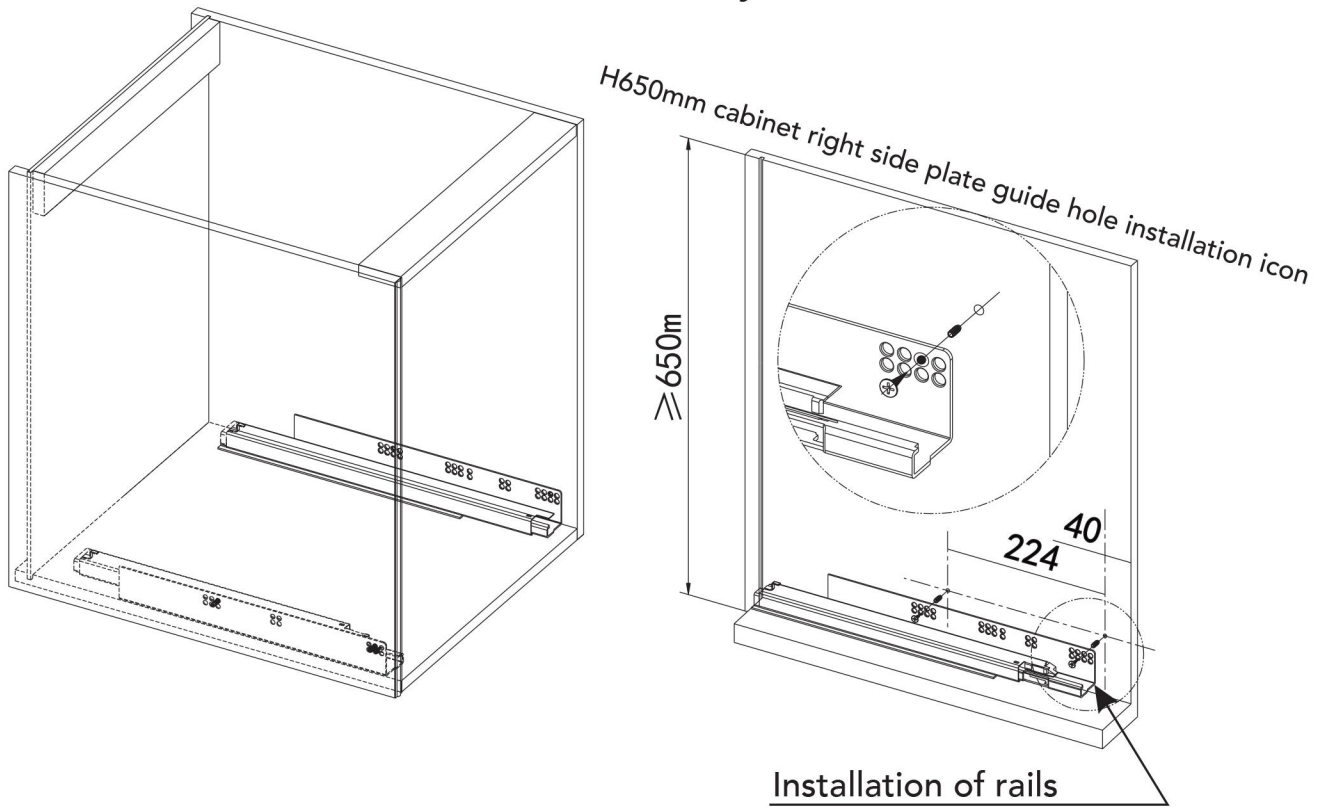


Installation Step 1:

1.0 Refer to the size in the figure, in the side of the drill guide rail mounting hole, and then install the expansion dowel to the hole;

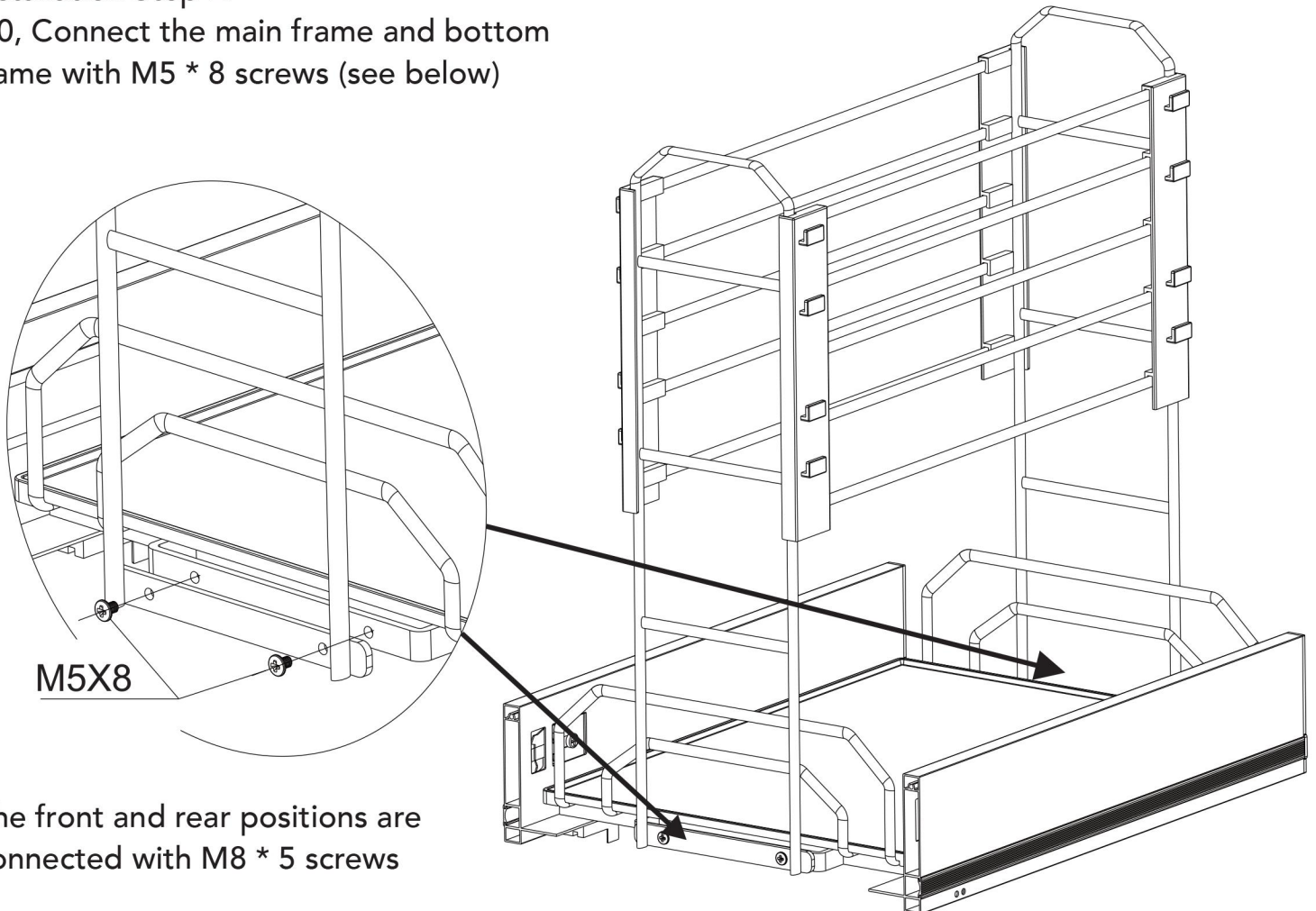
1.1, Next screw the fixed rail (see below)

1.2, Install the other side rails in the same way;



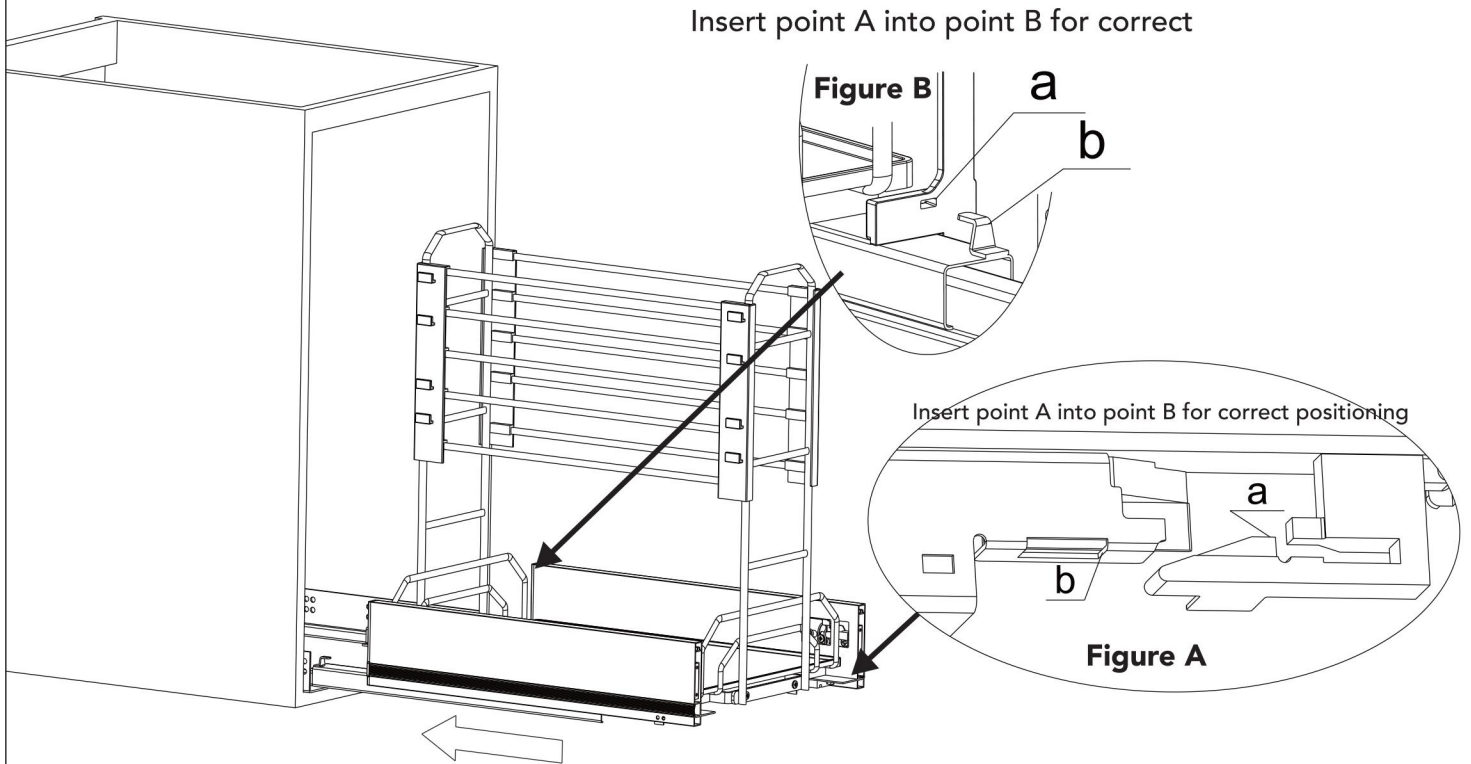
Installation Step 2:

2.0, Connect the main frame and bottom frame with M5 * 8 screws (see below)



Installation Step 3:

3.0, Place the main frame according to the arrow for correct positioning as shown in the figure A/B



Installation Step 4:

4.0, Turn the nail according to the direction of rotation, pop (before the connector)

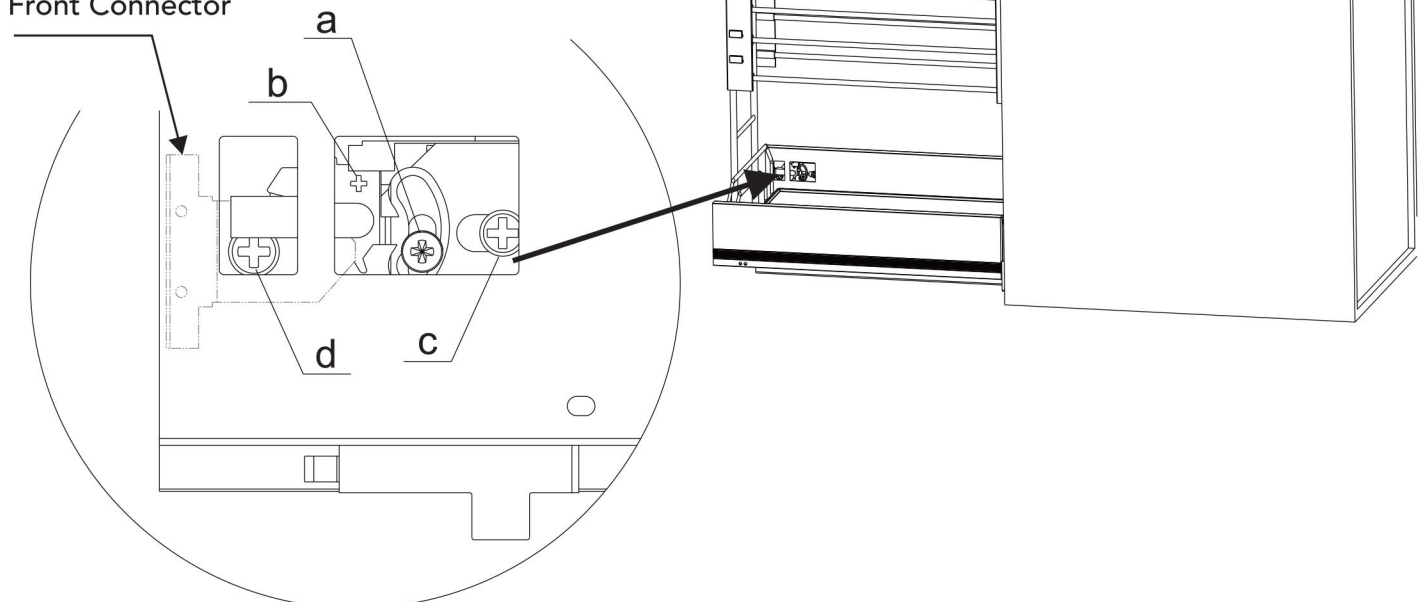
a, Lock (Front connector), eject the front connector) to loosen the screw

b, Loosen the cross screw, turn clockwise, pop (front connector)

c, Loosen the cross screw, fine-tune the door up and down ± 2 mm.

d, Loosen the cross screw, fine-tune the door left and right ± 2 mm.

Front Connector

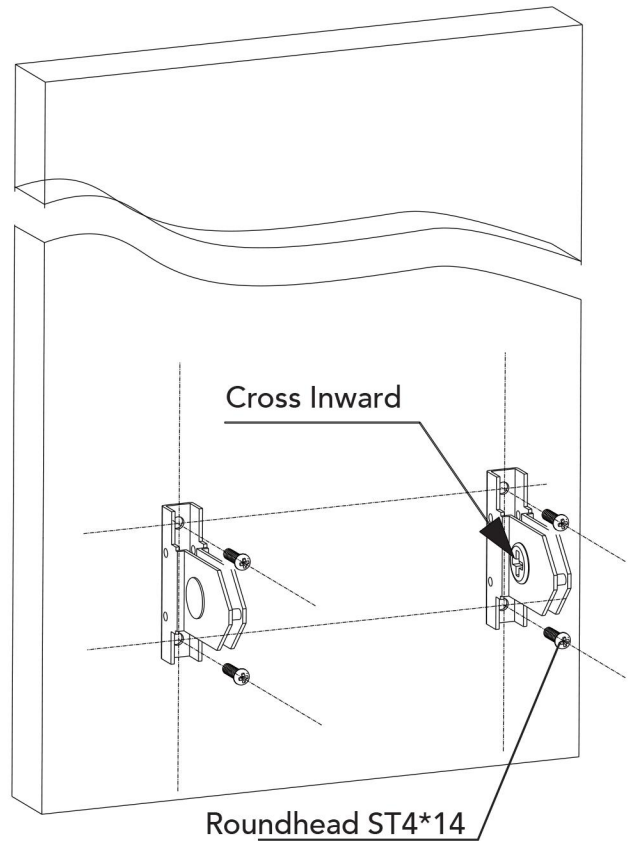
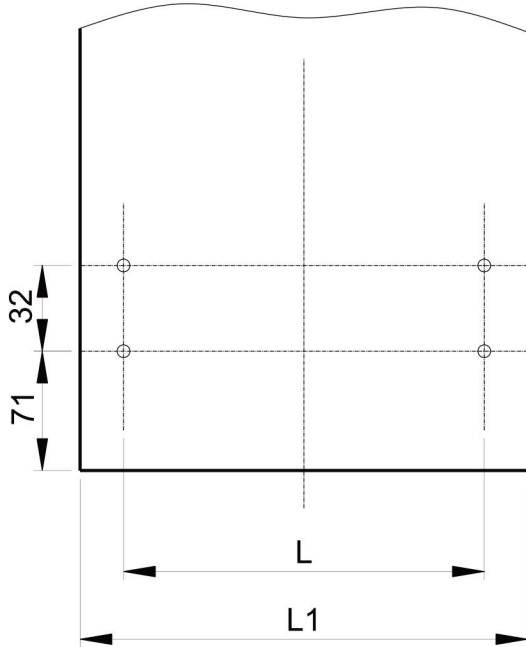


Installation Step 5:

5.0, According to the size of the figure or paper template size pre-drill 2.0mm positioning hole;

5.1, And then use ST4 * 14 screws to install the front connector;

Cabinet	300	350	400	450
L	235	285	335	385
L1	298	348	398	448

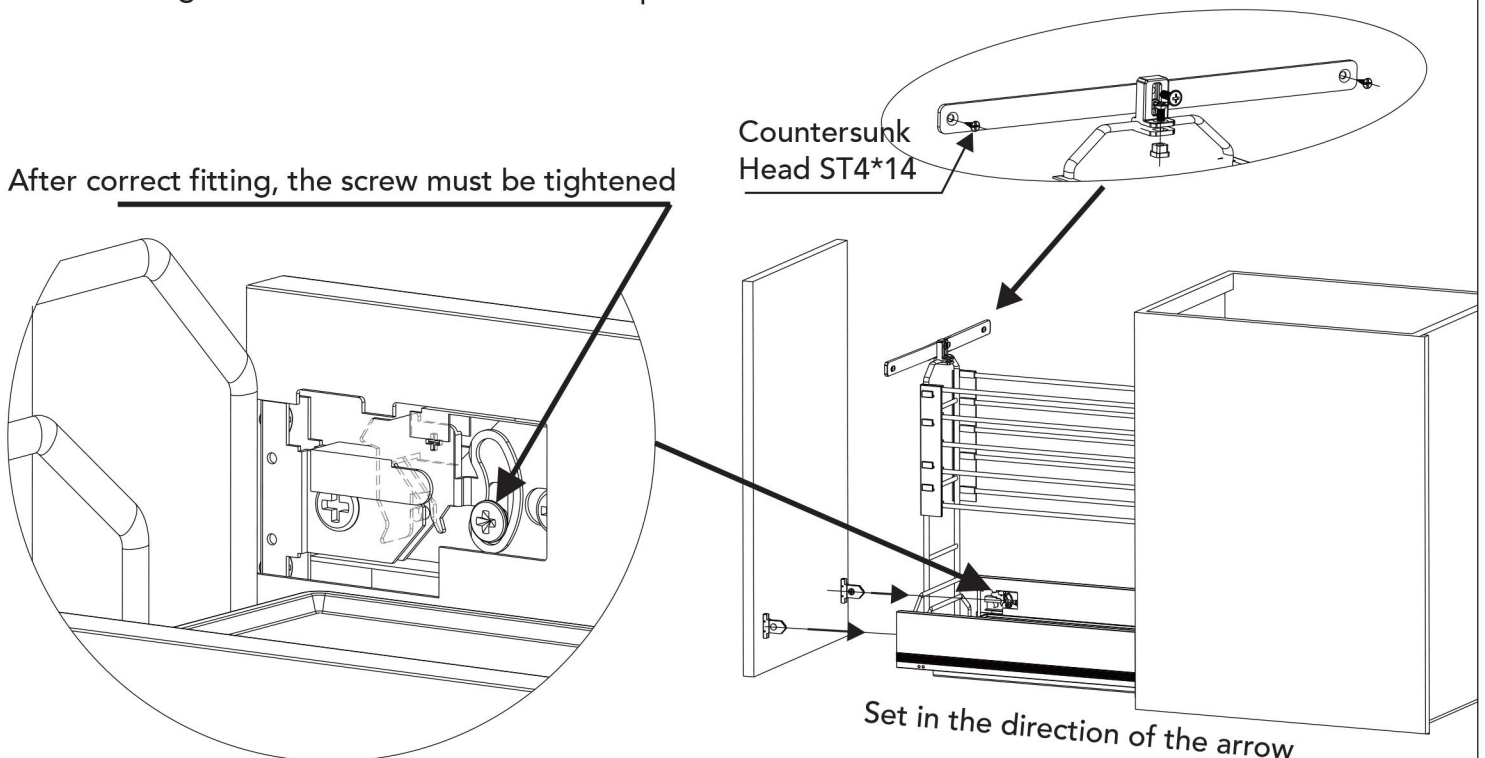


Installation Step 6:

6.0, In the direction of the arrow, install the (front connector) into the aluminium plate in the adjustment code components, and then refer to (installation steps four) method to adjust the door.

6.1, Attach the (door panel reinforcement unit) to the main frame as shown in Figure B and connect it to the door panel

Figure B Installing the door panel reinforcement assembly

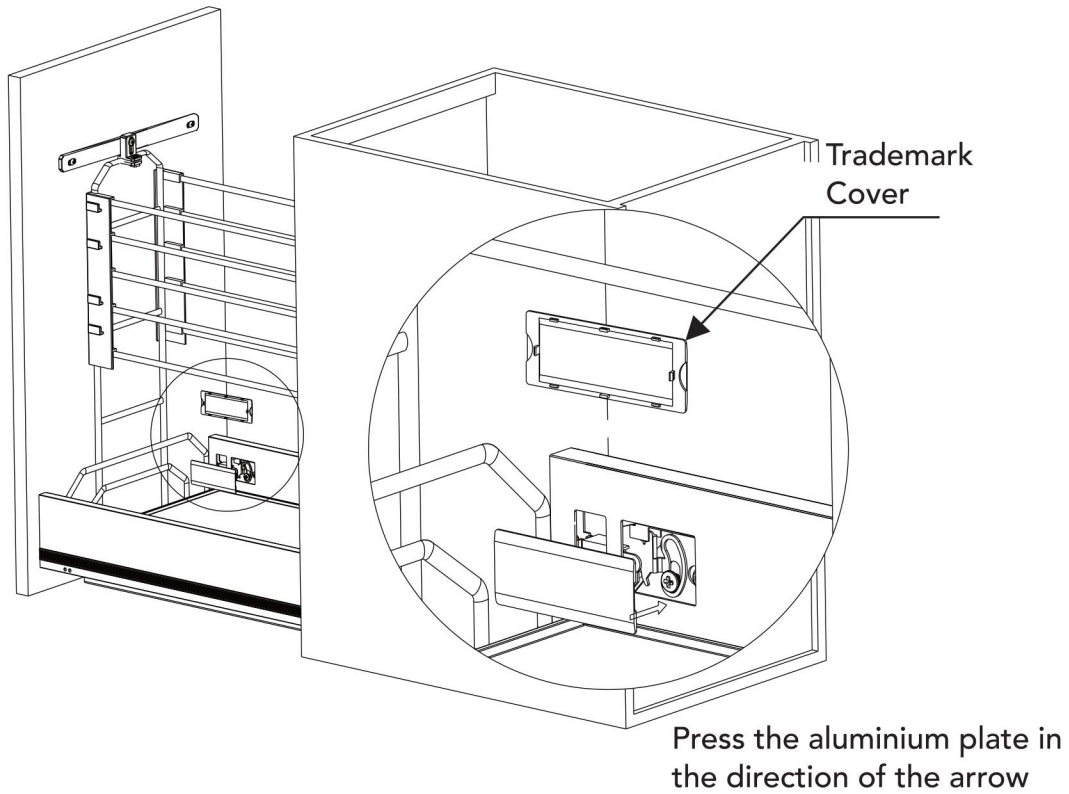


After correct fitting, the screw must be tightened

Set in the direction of the arrow

Installation Step 7:

7.0, After adjusting the door, then refer to the below figure, fit the trademark cover into the right and left sides of the hole;



Installation Step 8:

8.0, Refer to the below figure, install the high basket, short basket and place the center plate on the main frame;

8.1, Tighten all the screws, the product is installed;

