



E051S-SUS304
Unico Three-Sided Stainless Steel Basket

Installation and
Operating Instruction

Thank you for using EXCEL Products

Please read the following requirements before installation

1: The cabinet must be the standard cabinet marked on the outer box;

2: The thickness of the side panels on both sides of the cabinet must be 16 or 18mm;

3: Cabinet height recommended $\geq 650\text{mm}$, (less than this size will affect daily use);

4: This manual is suitable for the installation of the ordinary handle door, special door please refer to the general door size and then adjust their own, or consult EXCEL customer service hotline;

Note: If the cabinet failed to meet the requirements of point 1 or point 2, please do not install this product, thank you.

Daily maintenance and maintenance of products



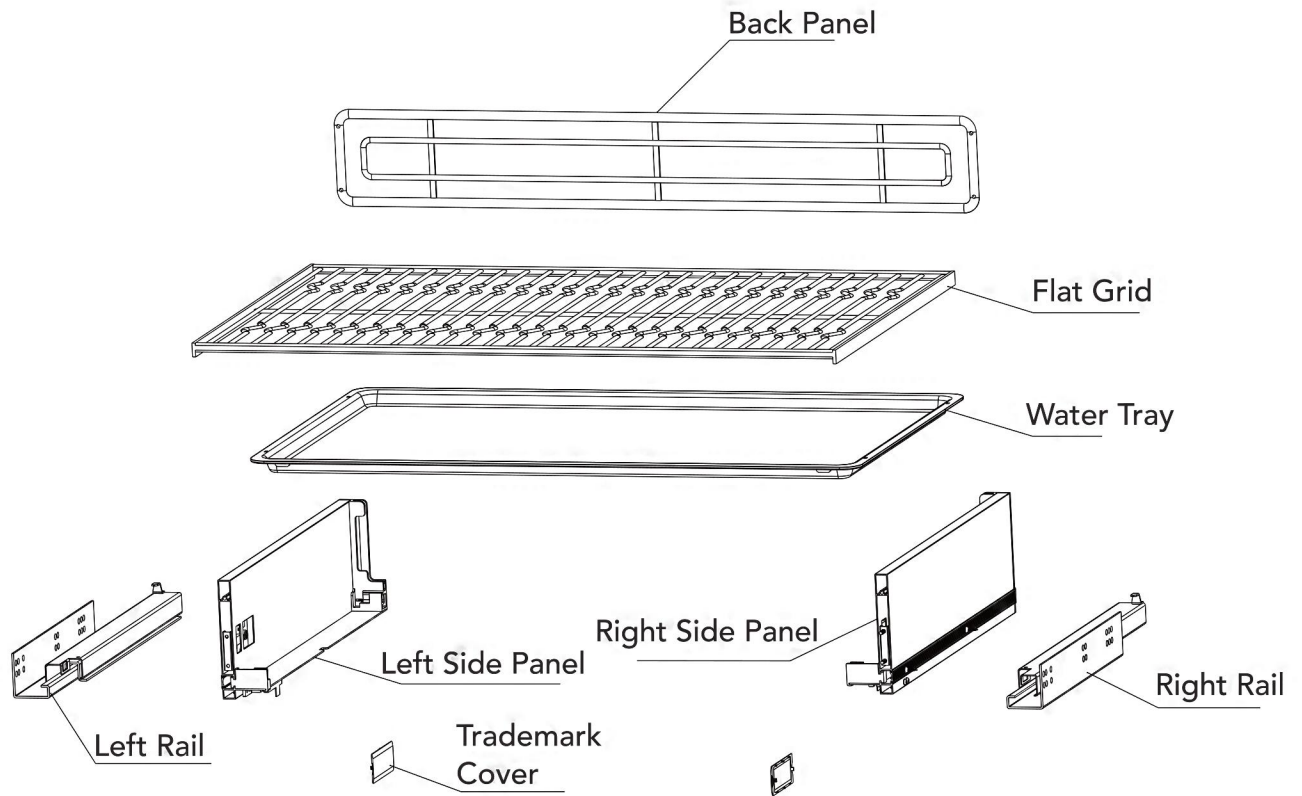
1. Keep the inside of the basket clean and regularly cleaning the water tray.
2. To avoid the liquid spilled into the rail to ensure the normal work and life of the guide
3. Avoid contact with acid and alkaline, soy sauce, salt etc. in the basket

Common faults and handling methods

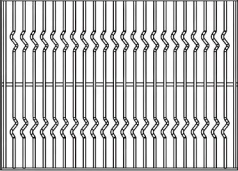

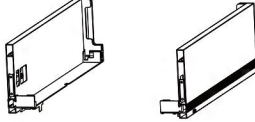
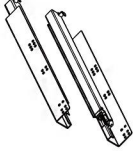
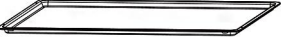
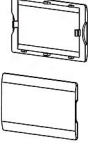
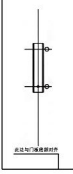

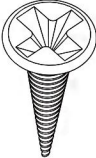



No.	Common Problem	Cause Analysis	Solution
1	Unsmooth Pulling Or Damping Failure	Rail damper is disabled Guide spring is damaged Rail lubricant is dry Deformation of rails Installation is not parallel Pull basket installation error There is a object in the slide	Replace the rail damper Replace the guide spring Add lubricant Replace the rails Adjust the rail mounting position Adjust the basket position Eliminate obstacles
2	Door Cannot Shut Properly Or Door Can't Close	Rail is not installed correctly Door assembly is not installed correctly Base deformation Door deformation Basket deformation Load overweight Basket door screw is loose	Adjust the rail mounting position Adjust the door assembly position Replace the base Replace the door plate Replace the basket Adjust the provisions in the basket Tighten the screws
3	Appear Spot or Foul Taste	Left unclean for long period of time	Clean the basket and water tray regularly
4	Hanging rail with pull basket push and roll is not smooth	Press the force button as specified Basket weight exceeded	Use the force button Reposition your items in the basket
5	Noise occurs when you pull or rotate the basket	Rotary connection loose Unwanted sound after long period of use	Properly fasten the connections Add lubricating oil to each connecting part

Three Side Basket Parts Name



Three Side Basket Packing List

Flat Grid 1 piece	Back Panel 1 piece	Left & Right Side Panel 1 set	Left & Right Rail 1 set
			
Water Tray 1 piece	Trademark Cover 2 pieces	Door Installation Template 1 piece	Expanded Dowel 5 pieces
			
Countersunk Head ST4*14 8 pieces	Round Head ST4*14 4 pieces		
			

Installation Step 1:

1.0, Installing the upper rails, first put the lower door into the cabinet, press the side panel and then put the rail on the door (see Figure A)

Refer to (Figure A) to install the mounting rail screws;

1.1, After installing the upper rail, insert the lower rail to the bottom plate, then refer to (Figure B) to install the mounting rail screws;

1.2, The mounting method of this rail is the same as that on the right

Note: The installation method for the rails for conventional handle door installation, special handle door is not suitable for use, please adjust the size of the installation or consult EXCEL hotline

Countersunk Head ST4 * 14

The second hole on the rail

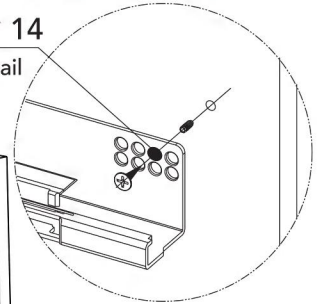
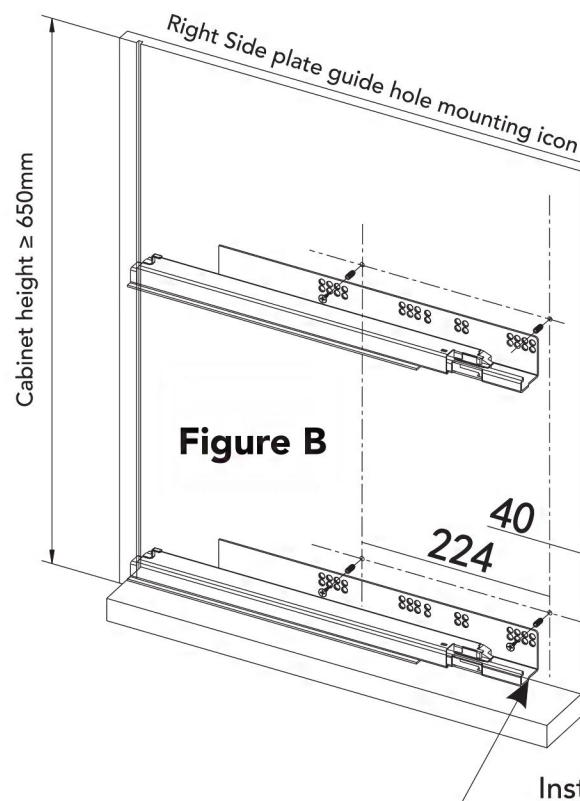
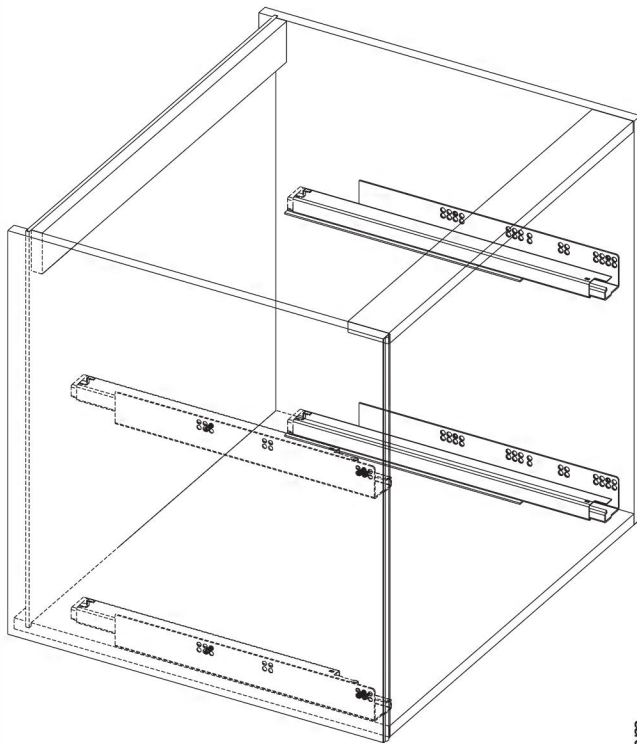


Figure A

224 40

The rails are placed on the door

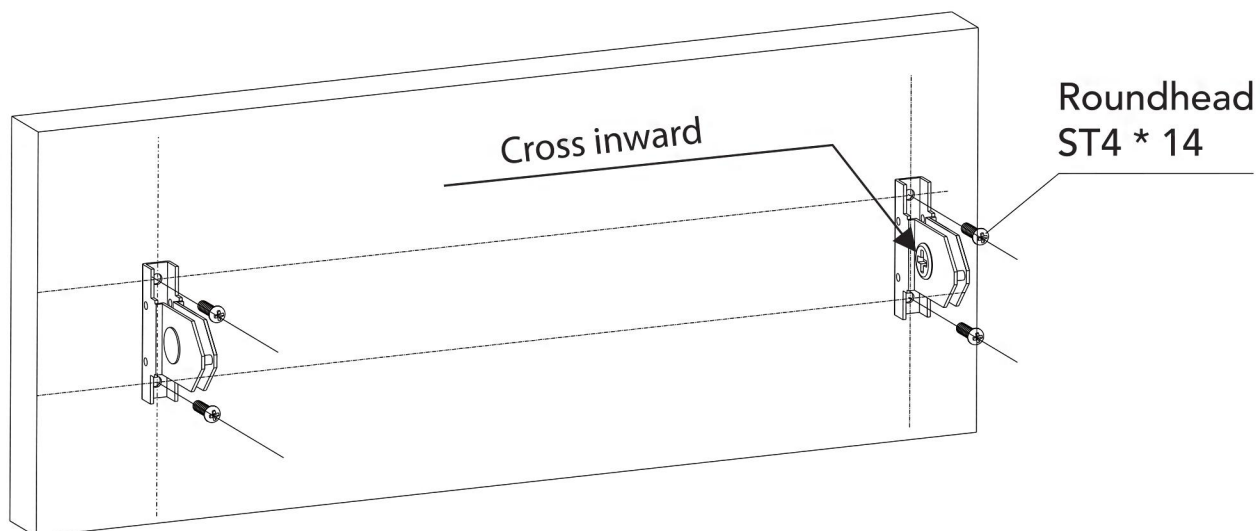
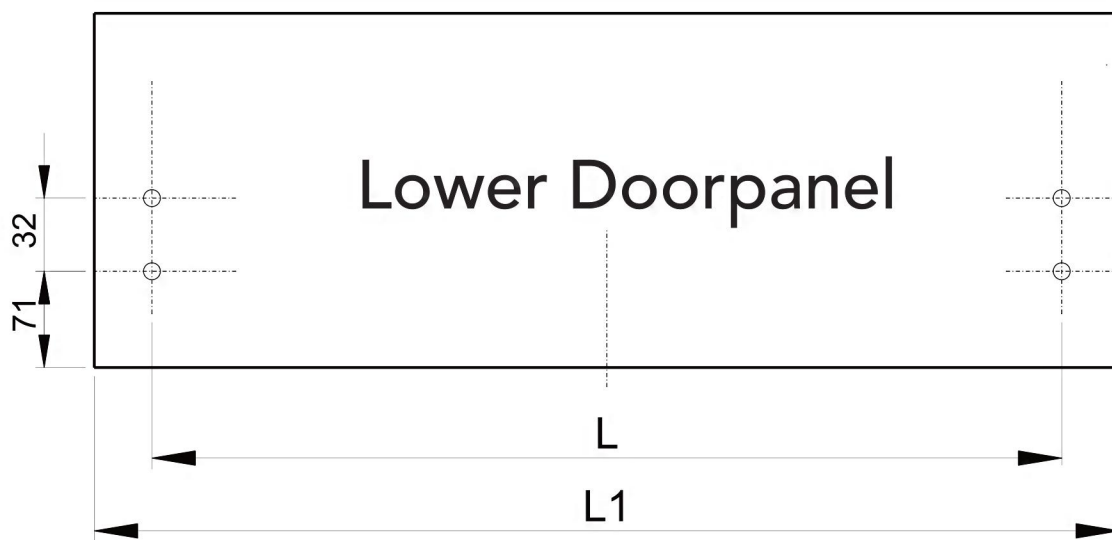
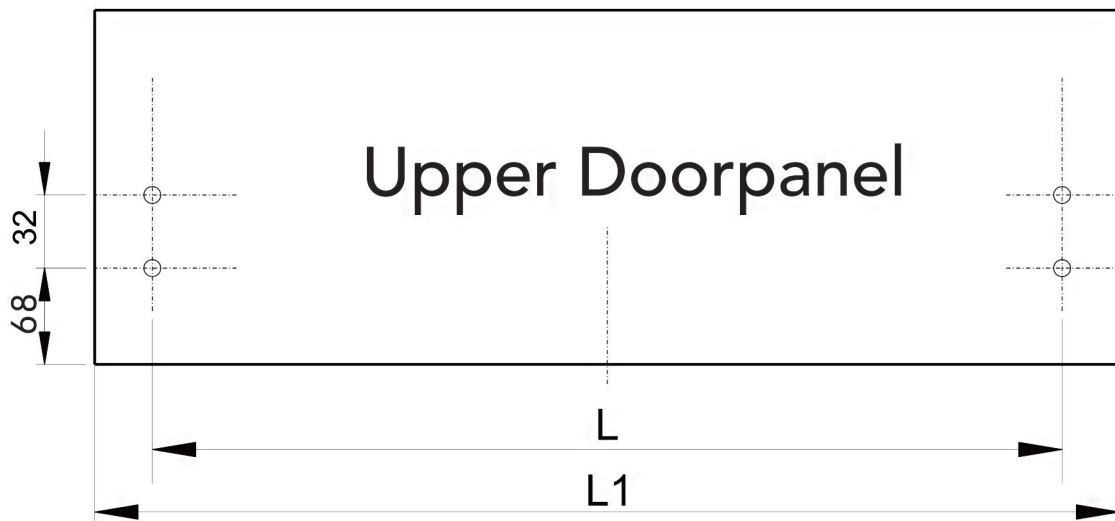
Lower Door



Installation Step 2:

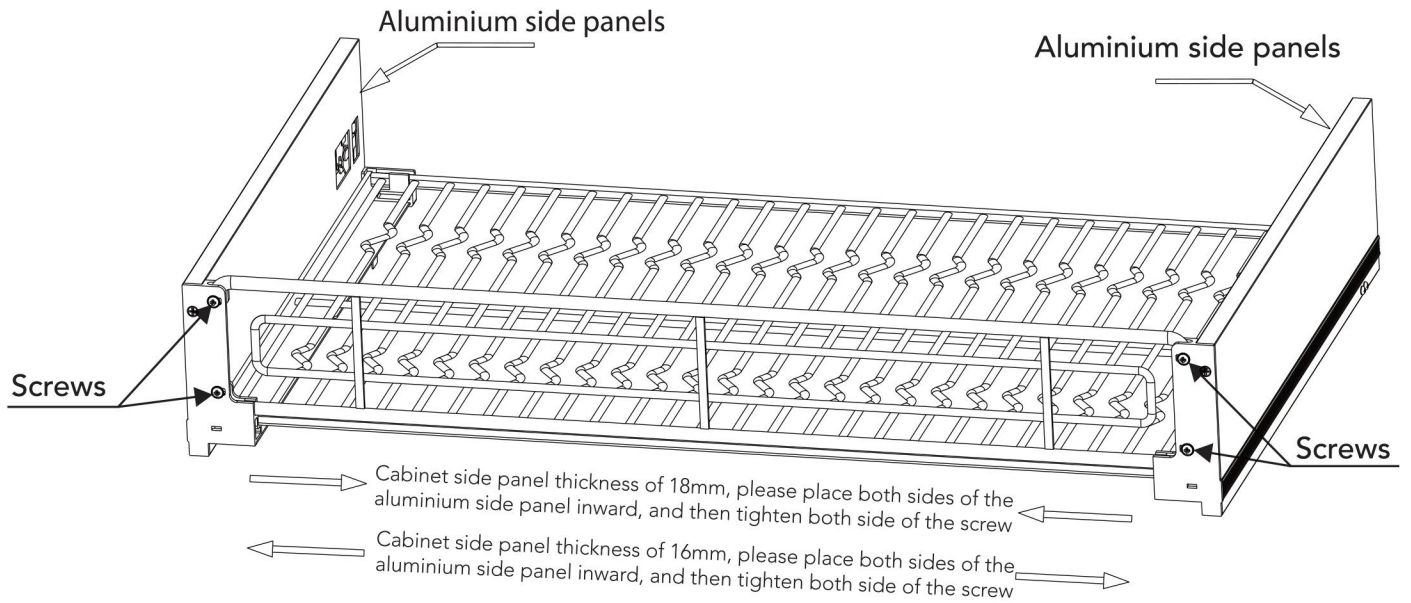
2.0, Pre-drill 2.0mm positioning holes by size or paper template size

Cabinet	600	700	800	900
L	535	635	735	835
L1	598	698	798	898



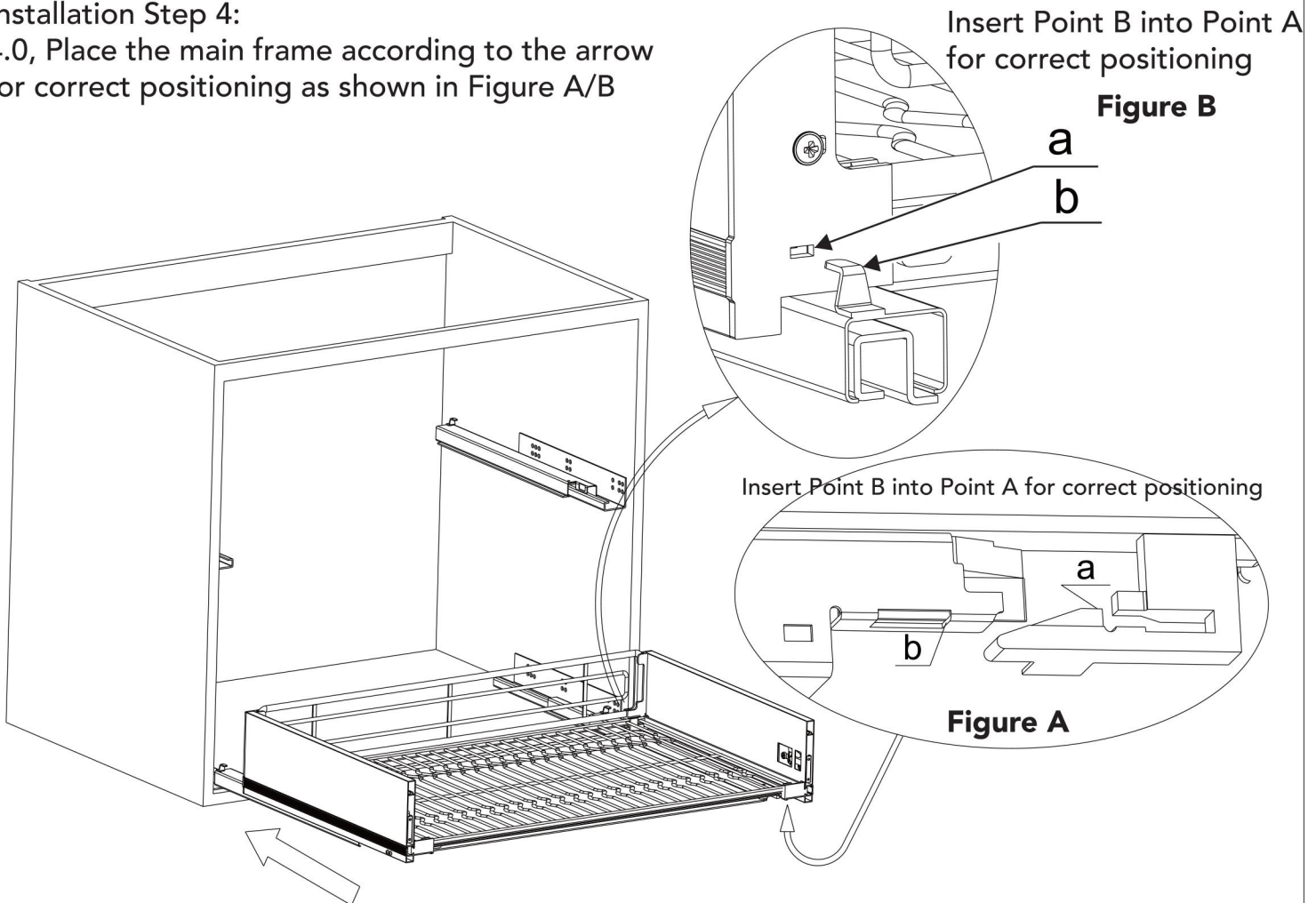
Installation Step 3:

3.0, On both sides of the basket, adjust the aluminium side panels according to the direction of the arrow and then tighten the screws as shown below:



Installation Step 4:

4.0, Place the main frame according to the arrow for correct positioning as shown in Figure A/B



Installation Step 5:

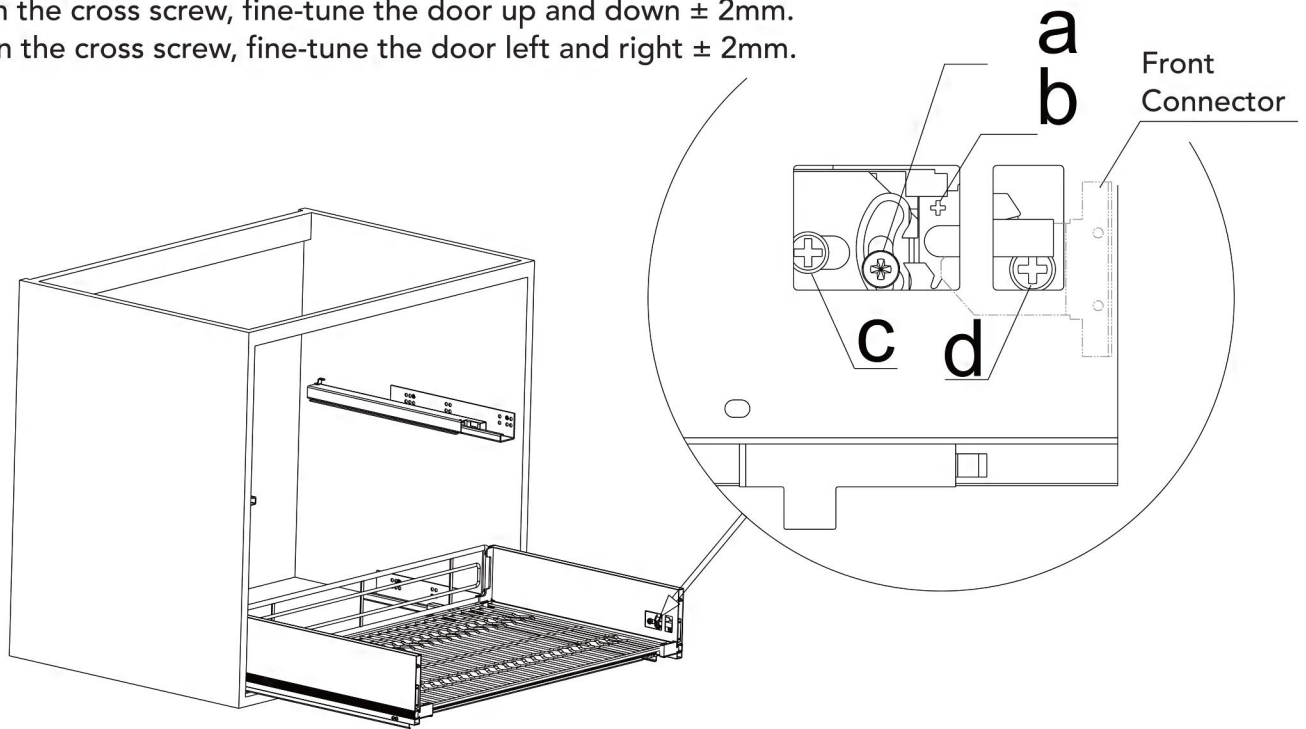
5.0, Turn the nail according to the direction of rotation, pop (before the connector)

a, Lock (Front connector), eject the front connector) to loosen the screw

b, Loosen the cross screw, turn clockwise, pop (front connector)

c, Loosen the cross screw, fine-tune the door up and down $\pm 2\text{mm}$.

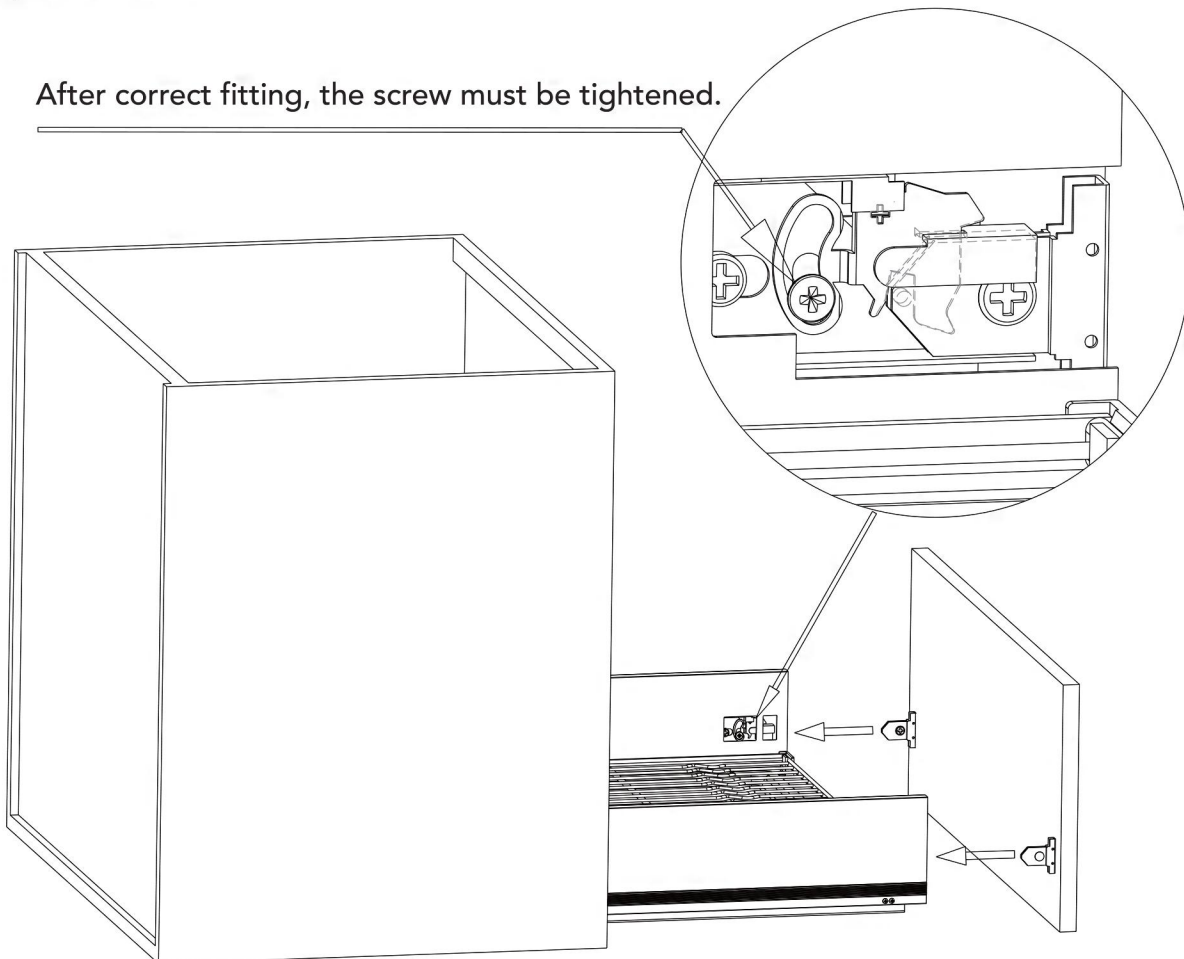
d, Loosen the cross screw, fine-tune the door left and right $\pm 2\text{mm}$.



Installation Step 6:

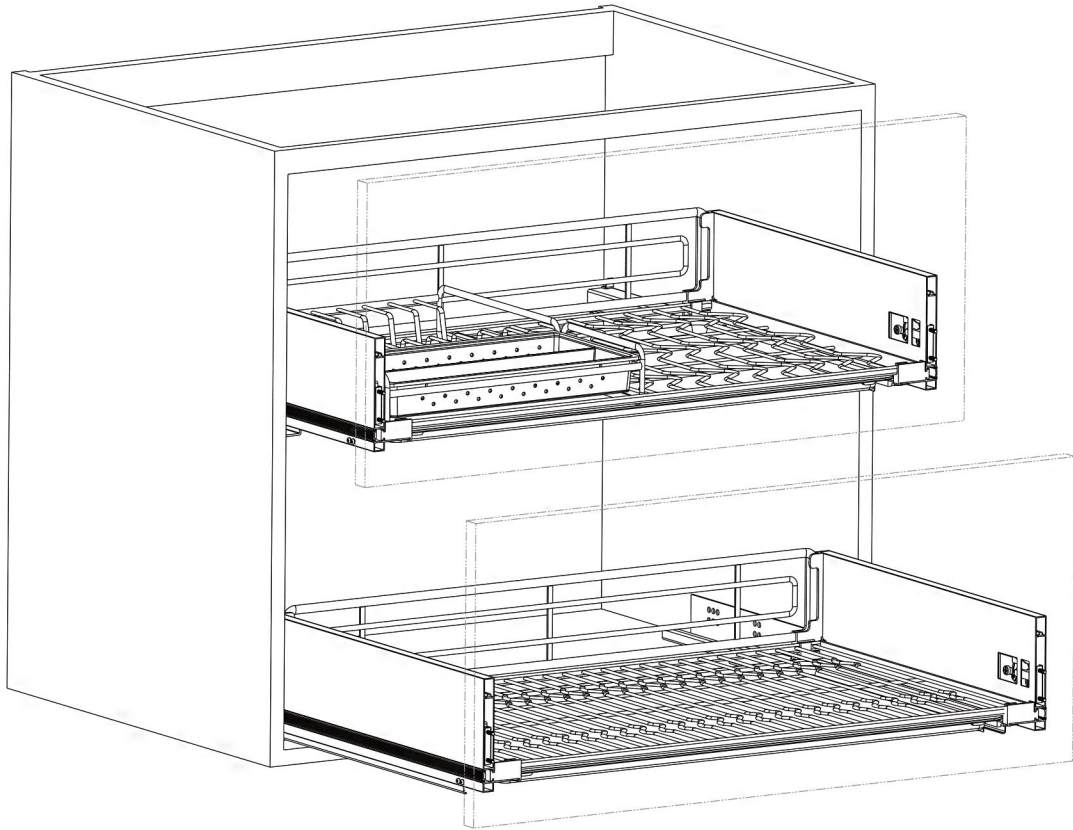
6.0, In the direction of the arrow, place the (front connector) into the aluminium plate adjustment connector components, and then refer to (installation step four) method to adjust the door.

After correct fitting, the screw must be tightened.



Installation Step 7:

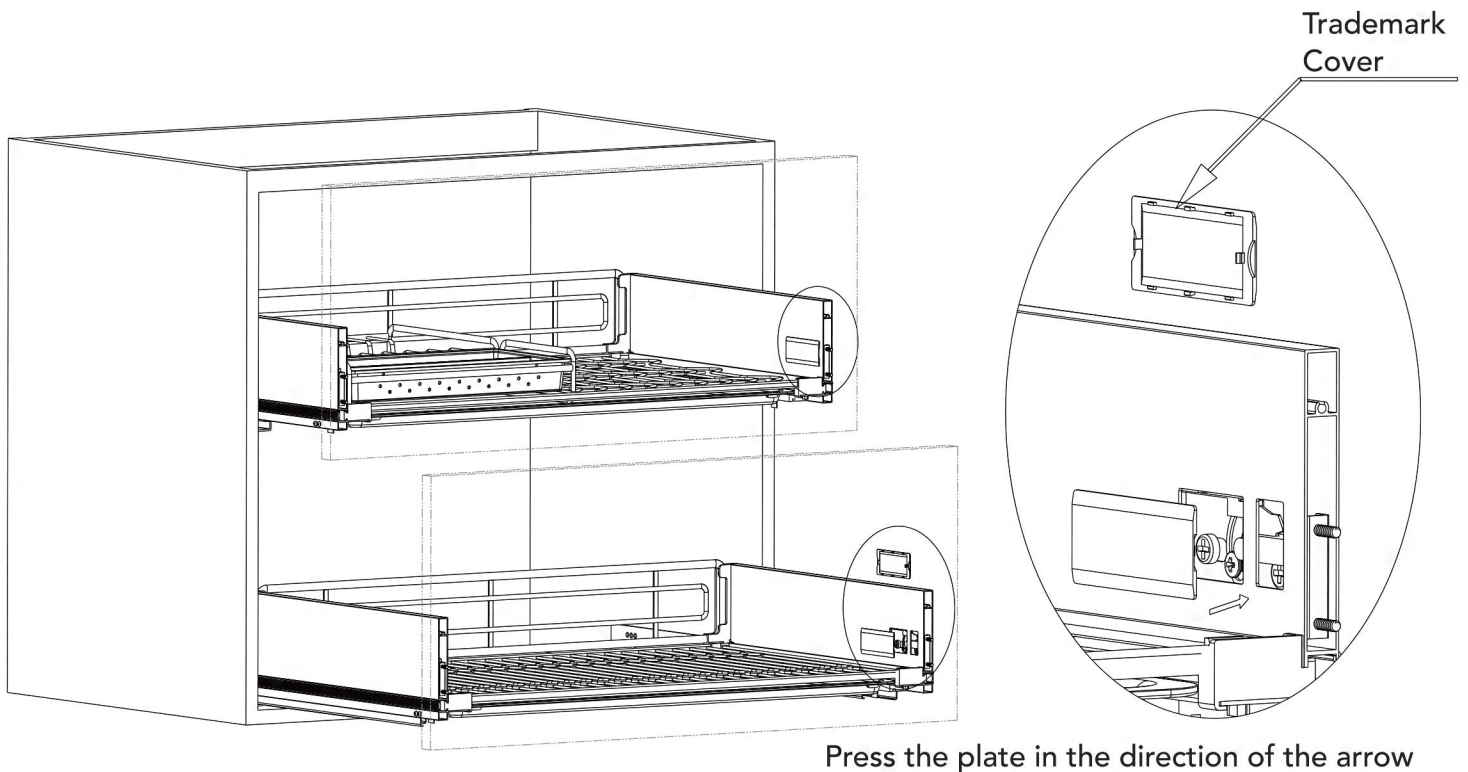
7.0, Refer to (Installation Step 2, 3, 4, 5, 6) Installation method, to install the upper basket;



Installation Step 8:

8.0, After adjusting the door, tighten all the screws, and then refer to the following figure to install the left and right sides of the trademark cover;

8.11, This installation is complete



Press the plate in the direction of the arrow