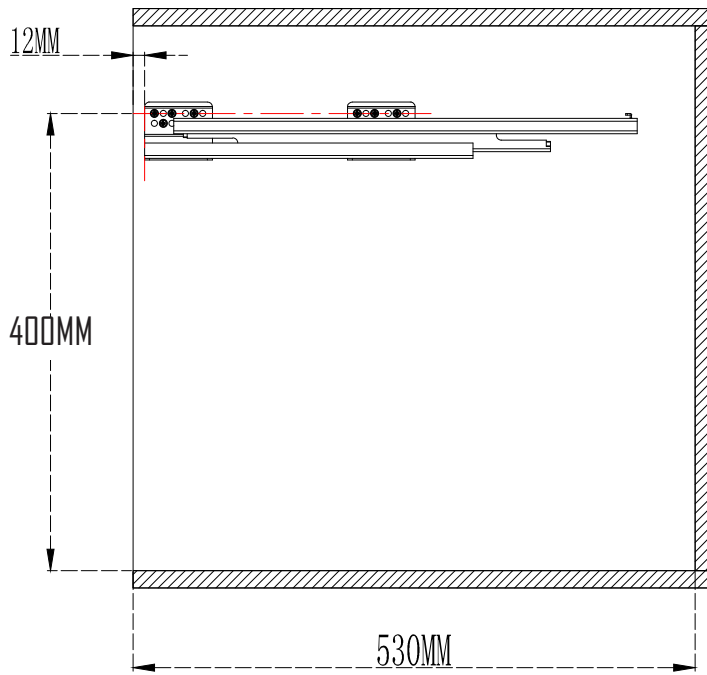
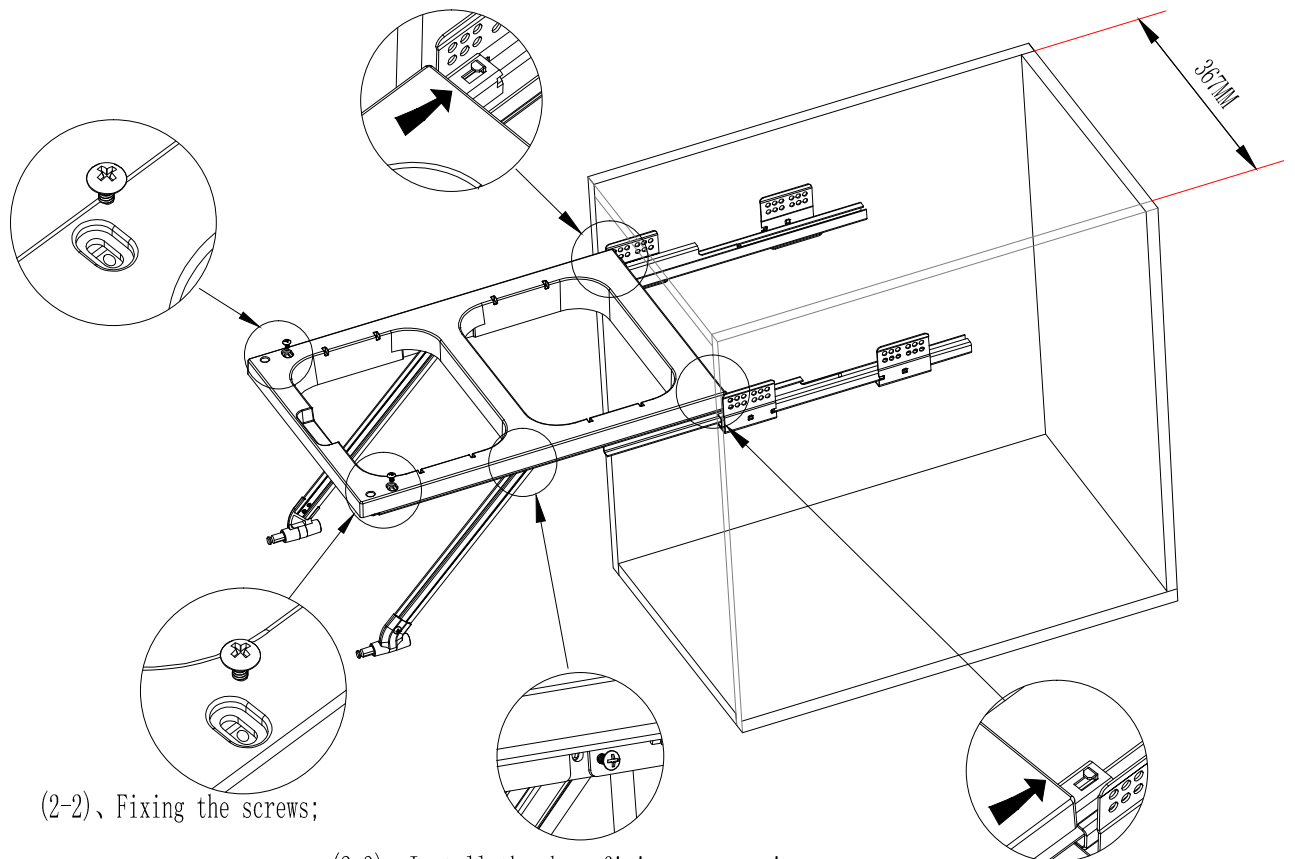


1、Following the figures showed below to fix the slides on the cabinet.



1	1
2	1
1	4X14 24
5X6 4	4X8 2
3X10 4	3X14 2

2、Please follows the step below to finish the second step:

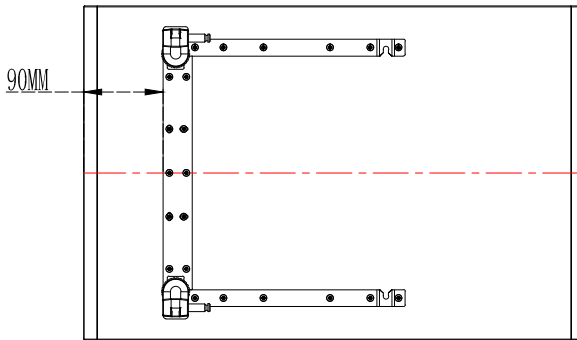


(2-2)、Fixing the screws;

(2-3)、Install the door fixing accessories.

(2-1)、Push the buckle on the slide;

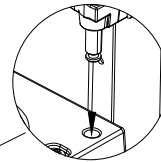
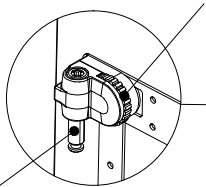
3, Please install the door connecting accessories by checking the figures below, the dotted line is the middle line.



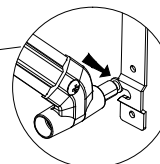
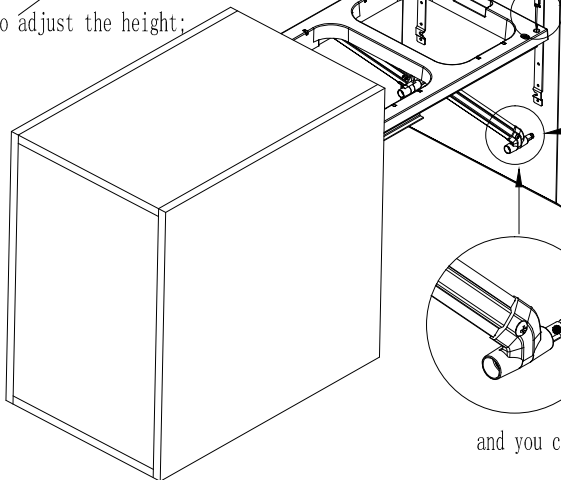
4, This is the last step to finish the installation.

you can adjust the gear to adjust the left and right.

(4-1) 、 Push downward to match the hole, if there is error to match the hole,



The wire rod can be used to adjust the height;



(4-2) 、 Please push the door connecting accessories by following the arrow,

and you can rotate the wire rod to adjust the balance.

5, The finishing state of the item.

