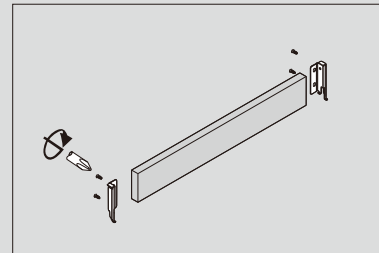


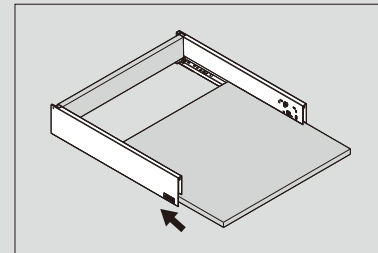
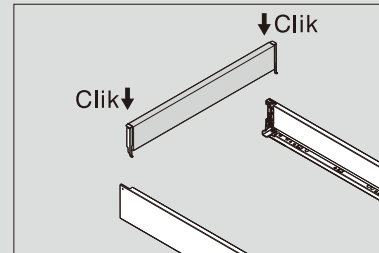
# Assembly and Adjustment Vicenzo Nero Black Series Double Wall Soft-closing System-60kg



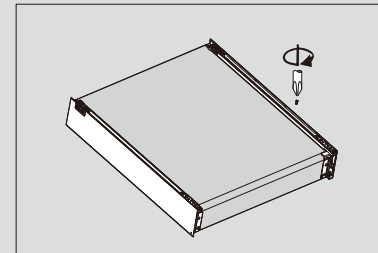
## Drawer Assembly



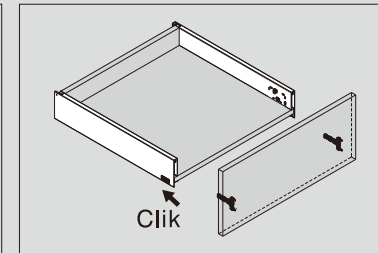
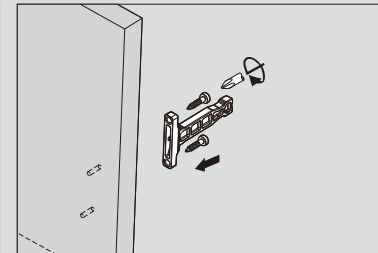
Back assembly



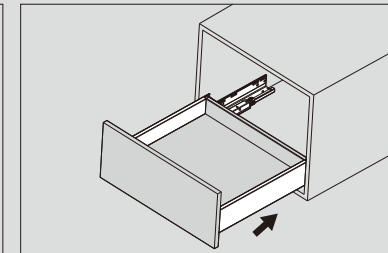
Bottom assembly



Fix screws



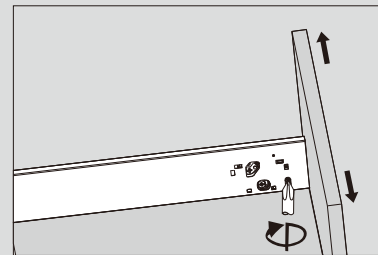
Front assembly



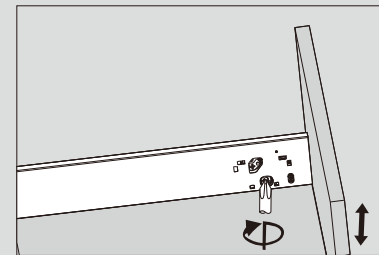
Slide into the cabinet

## Adjustment

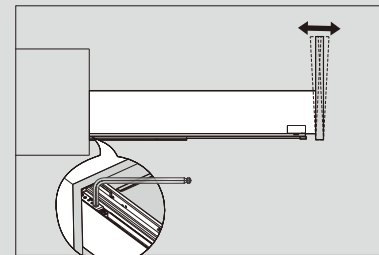
### V4/V5



Left&right adjustment



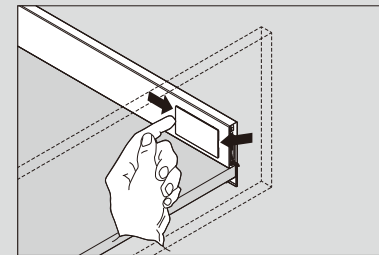
Up&down adjustment



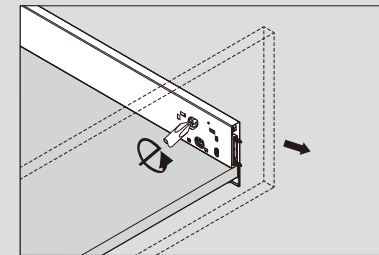
Tilt adjustment (by M3 Allen key)

## Removal

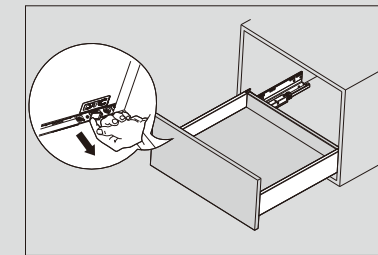
### V4/V5



Tip up the cover and pull out



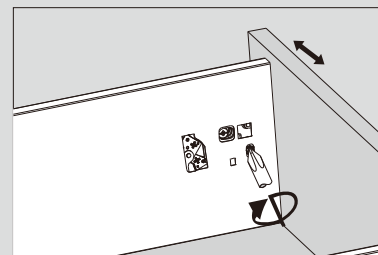
Turn screw driver to release the drawer front



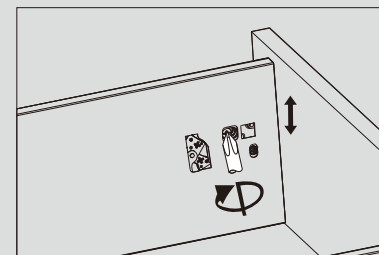
Press the locking device under drawer bottom and pull out the drawer

## Adjustments for High Drawer

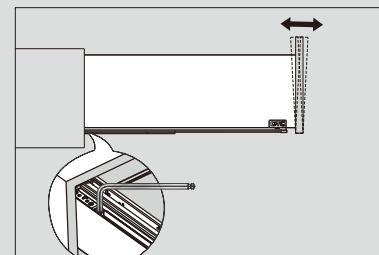
### V6



Left&right adjustment



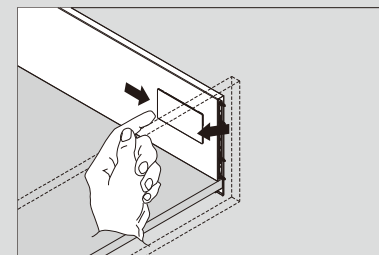
Up&down adjustment



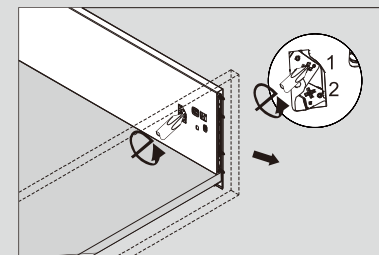
Tilt adjustment (by M3 Allen key)

## Removal of High Drawer

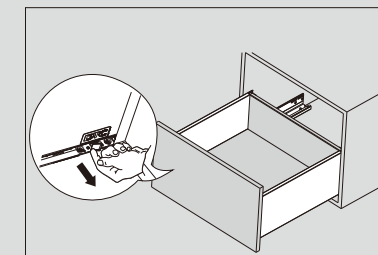
### V6



Tip up the cover and pull out



Turn screw driver to release lock 1, then release lock 2, remove the drawer front

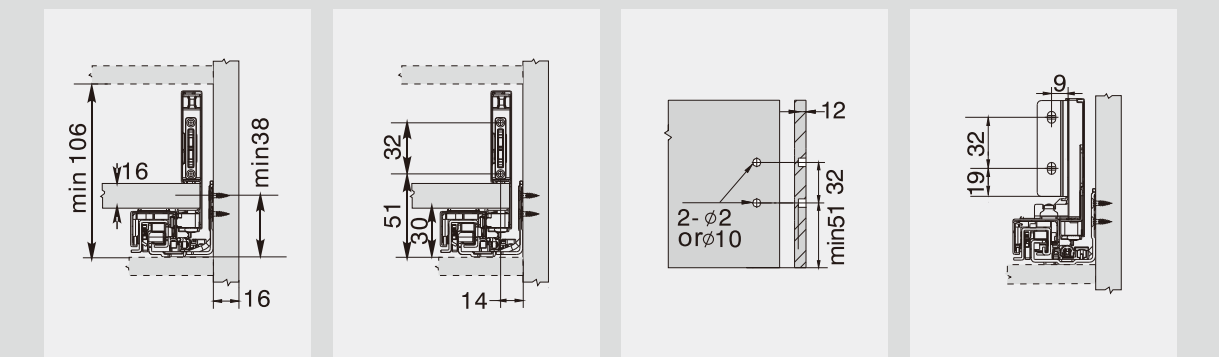


Press the locking device under drawer bottom and pull out the drawer

# Assembly and Adjustment

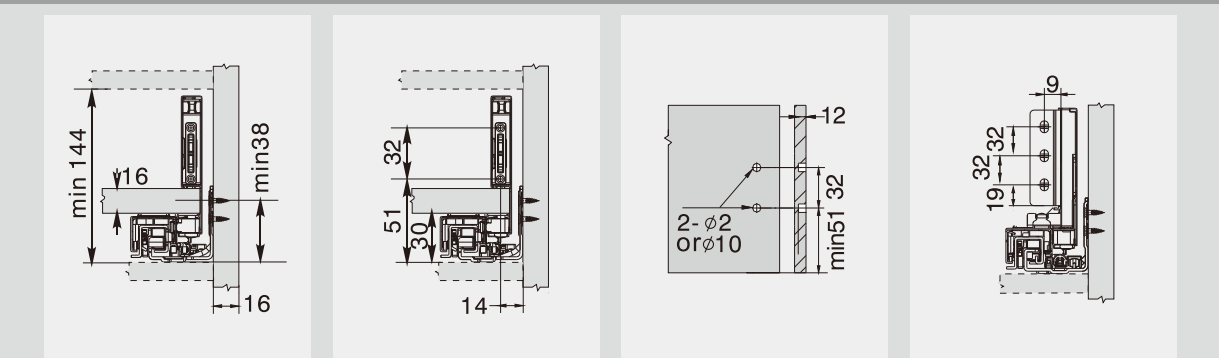
## Vicenzo Nero Black Series Double Wall Soft-closing System-60kg

### Low Drawer V4



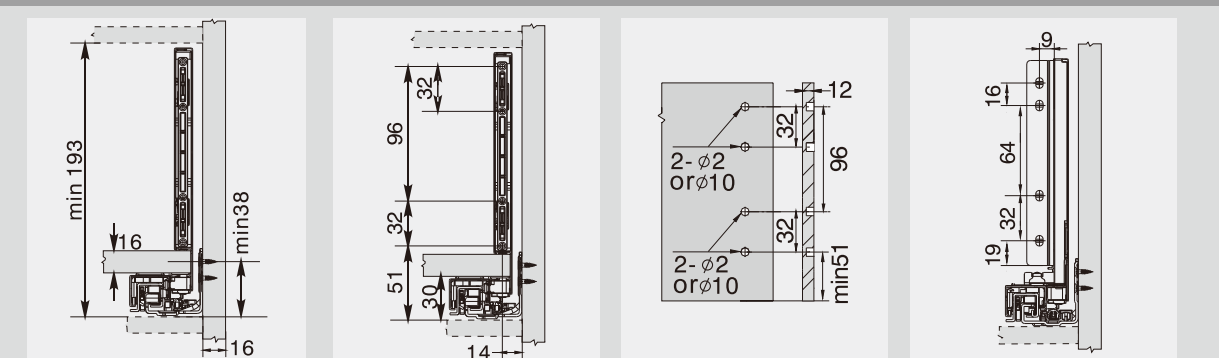
Space requirement in cabinet    Front installation dimensions    Front drilling dimensions    Back installation dimensions

### Medium Drawer V5



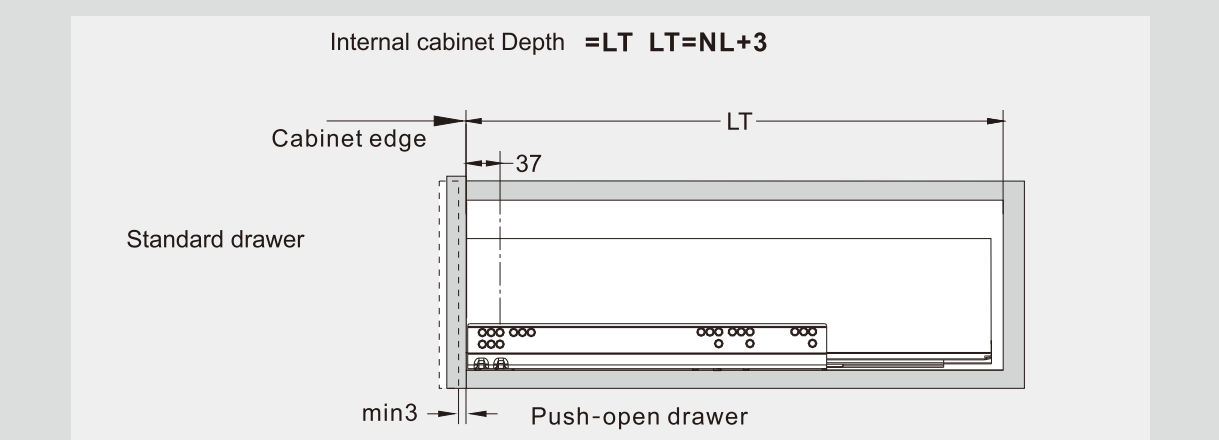
Space requirement in cabinet    Front installation dimensions    Front drilling dimensions    Back installation dimensions

### High Drawer V6

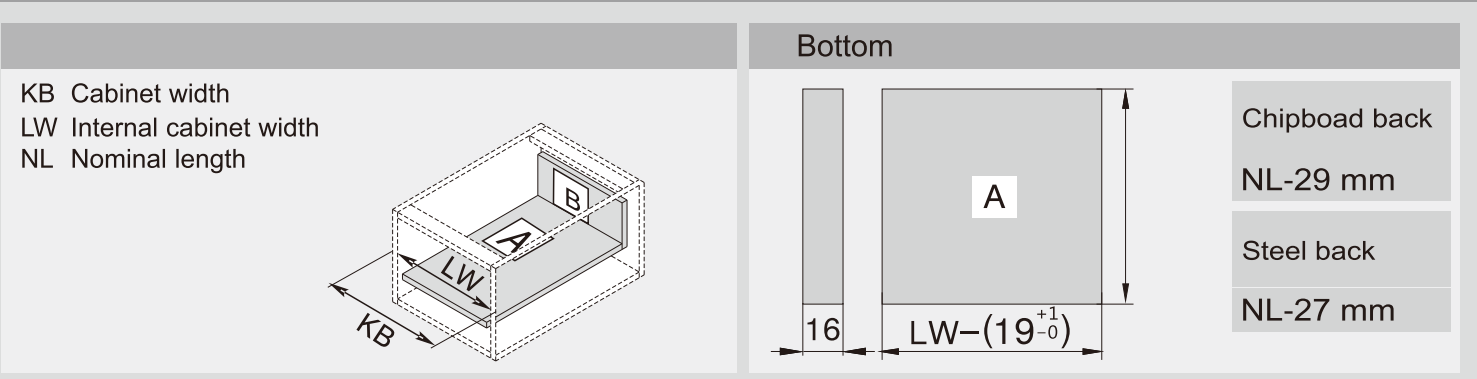


Space requirement in cabinet    Front installation dimensions    Front drilling dimensions    Back installation dimensions

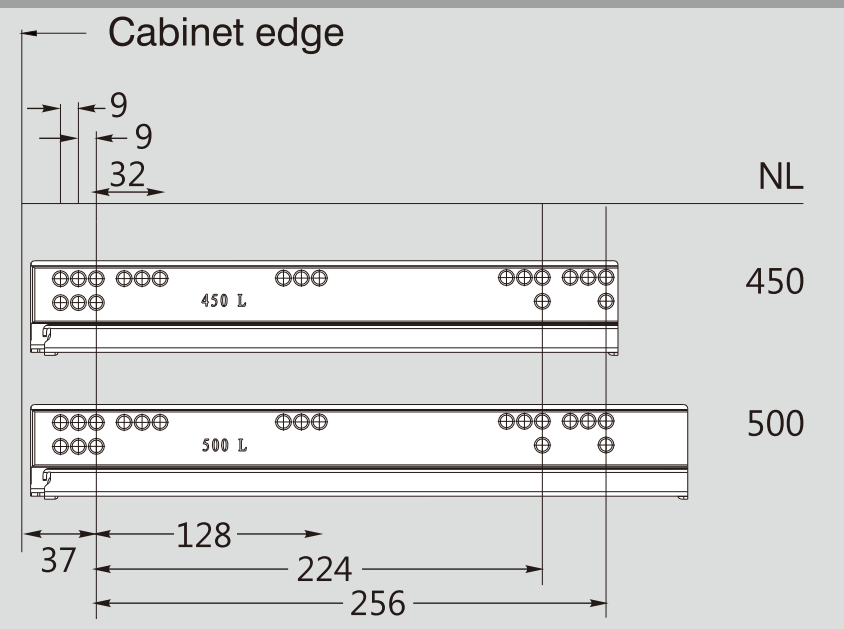
### Installation dimensions (Standard drawer)



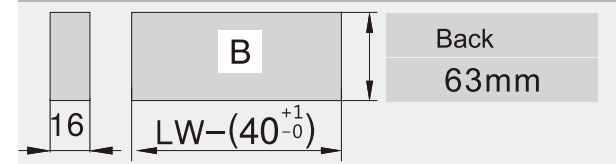
### Cutting dimensions for 16mm chipboard



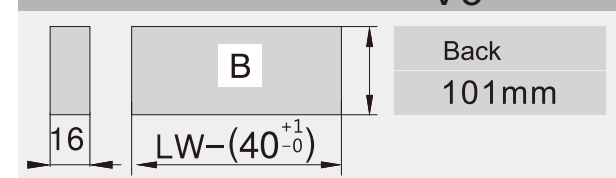
### Screw Positions of the Slides



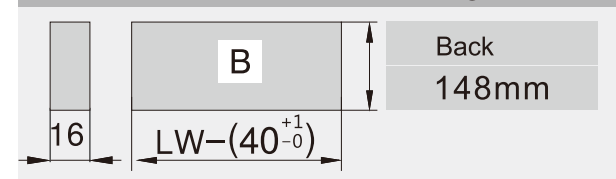
### Low Drawer V4



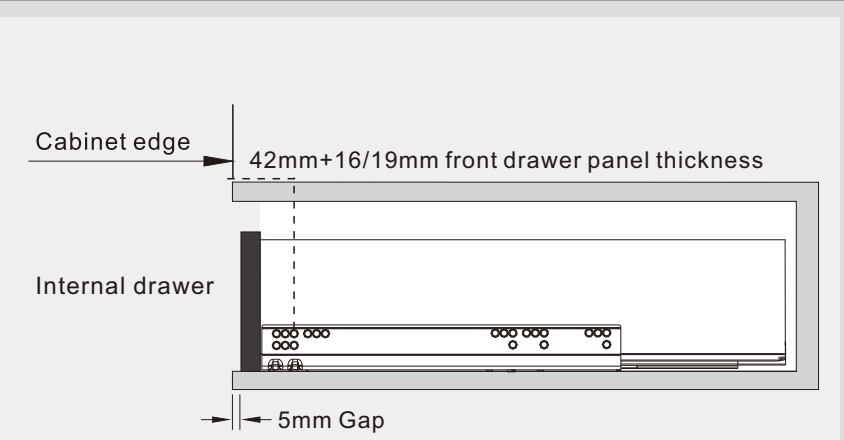
### Medium Drawer V5



### High Drawer V6



### Installation dimensions (Internal drawer)



10 Admiralty Street, Northlink Building  
 #03-52/51/50/35/34 S(757695)  
 Tel: (65) 6853 3113 Fax: (65) 6853 3003  
 Email: [marketing@excelhw.com.sg](mailto:marketing@excelhw.com.sg)  
**A SINGAPORE BRAND**