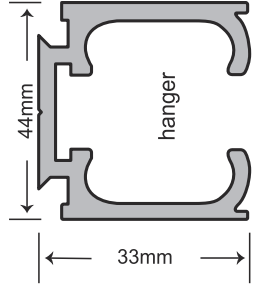
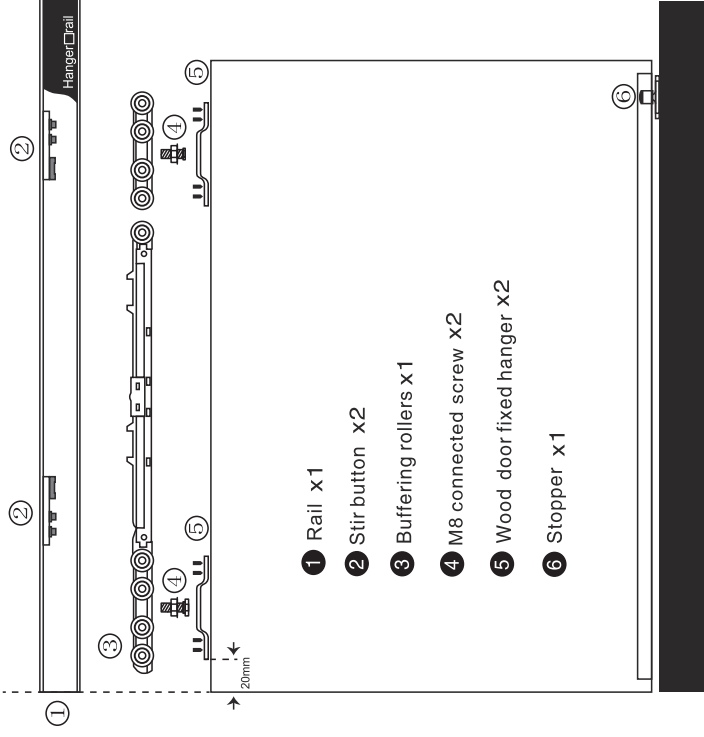


Installation instruction

(M70-V2/M-980D quick installation series) double soft closing in one piece Sliding rollers(max load bearing 80KG)(the suggested load bearing 65KG)

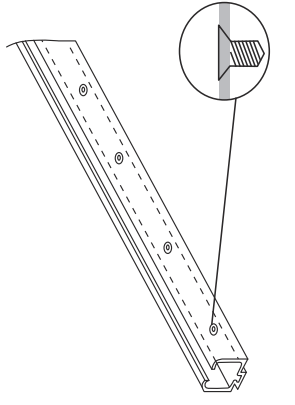
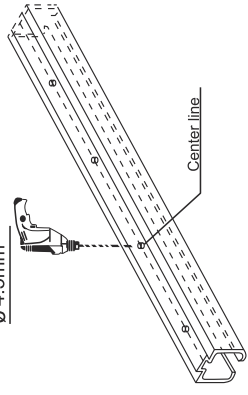
Before mounting, keep the inner rail clean; After the mounting, using the semi-wet cloth or compressed air gun to clean the rail by blowing air (Note: this instruction emphasizes the installation method and distance adjustment of the stir button; Other parts' installation and adjustment is same as the common rollers)

Product structure drawing:



Rail's selection and process:

∅ 4.5mm

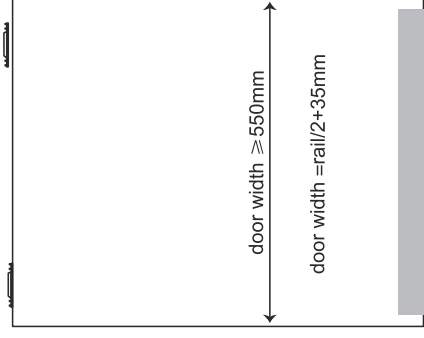


Position, drill and fix the screw on the upper rail after measurement (according to the door weight)

When process the screw nail inside of the rail; Ensure the nail head no higher than the rail surface

Wood door selection and process:

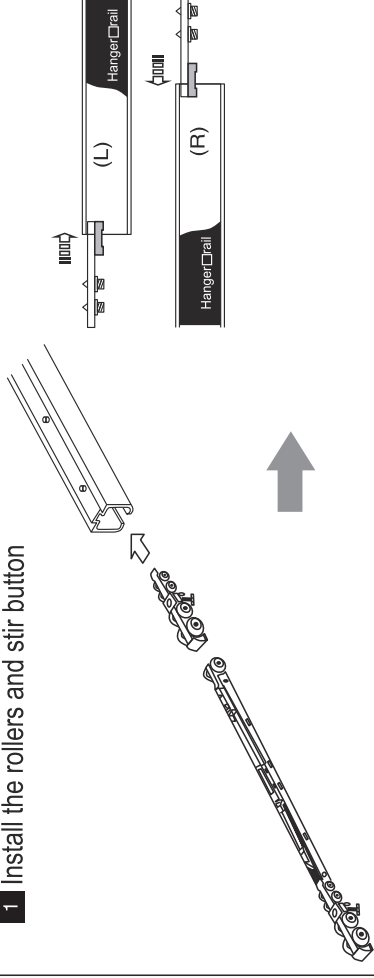
Door height=Doorway-60mm



Note: The two top ends of the door should be installed as the pic shoes, otherwise, the buffering effect will not be so perfect.

Installation steps for hanger roller

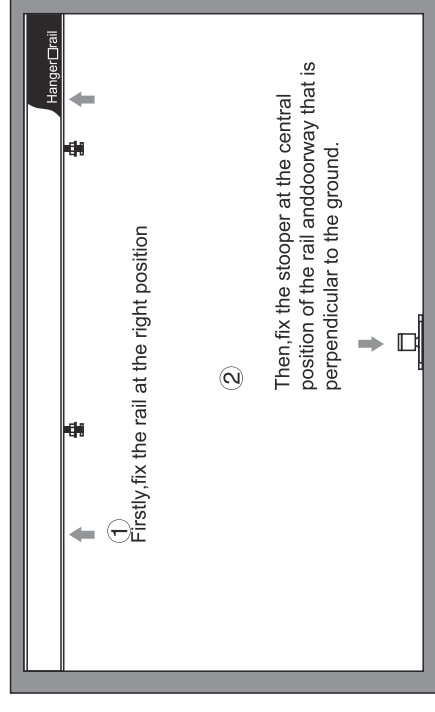
1 Install the rollers and stir button



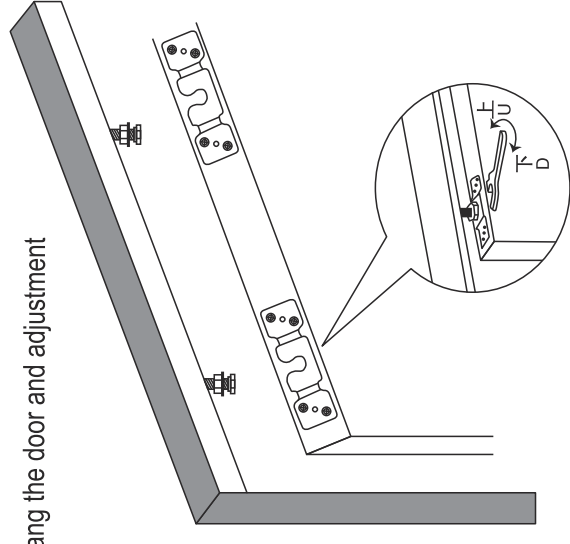
Fix the rollers into the upper rail, as the above pic shows.

Please ensure the installation direction is correct (as pic shows). Otherwise, the stir button will be unusable.

2 Fixing the upper rail and stopper



3 Hang the door and adjustment



4 Stir button adjustment

