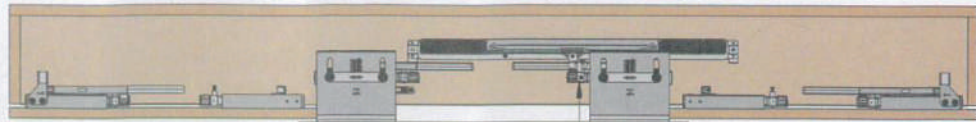


# Middle Door Damper Installation Guide

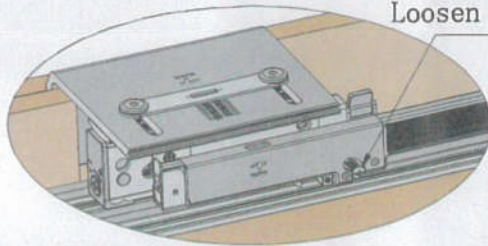


Accessory	Drawing	Component qty	Accessory	Drawing	Component qty
Stopper		1	M4*16 screw		2
ST4*16 Cross recessed countersunk head tapping screws		4			
Middle door damper					1

## Installation Instruction:



Remove screw:



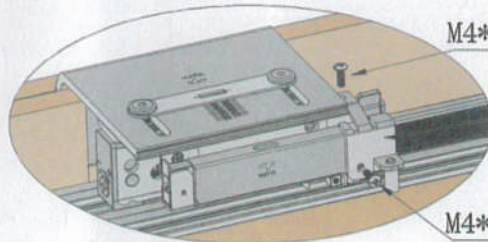
Loosen the screw

stopper on right hand of middle door

1. Remove screw M4\*12 which is fixing on the damper of right outer door runner

Fix the stopper:

2. Installation the stopper by fixing M4\*16 screw

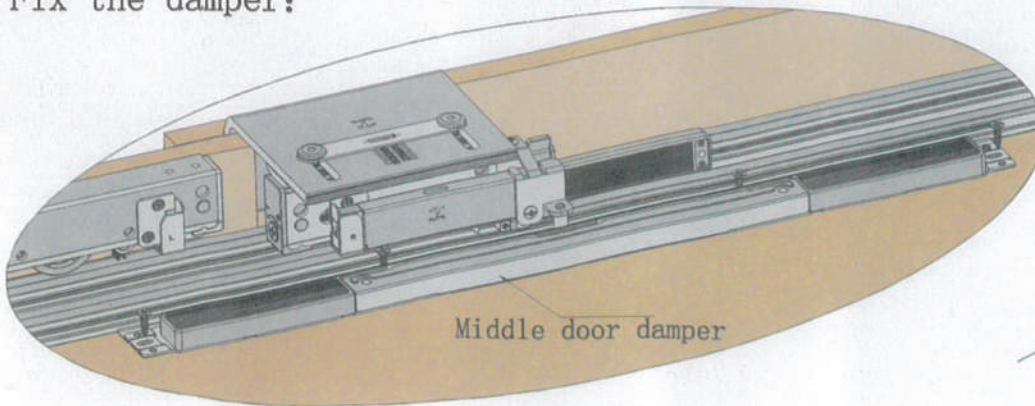


M4\*16 screw

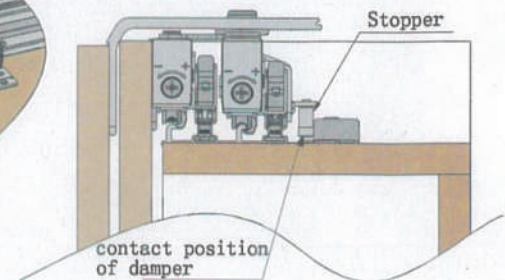
Stopper

M4\*16 screw

Fix the damper:



Middle door damper



Stopper

contact position of damper

3. Install the stopper to the contact position of damper, adjust the middle door to the middle position, then fixing the damper by screw.