

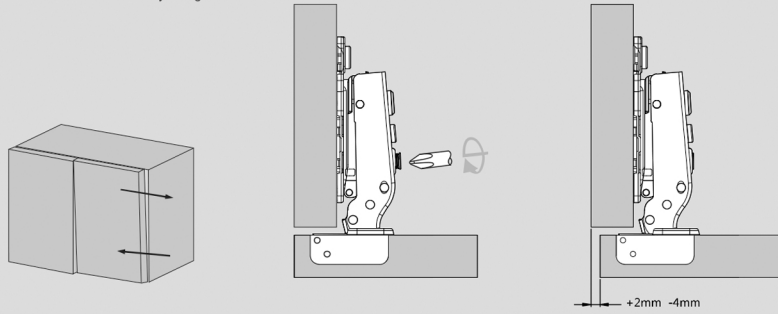
# ASSEMBLY & ADJUSTMENTS

## PIVOT-STAR HINGE INSTALLATION & PARAMETERS

### PLANNING

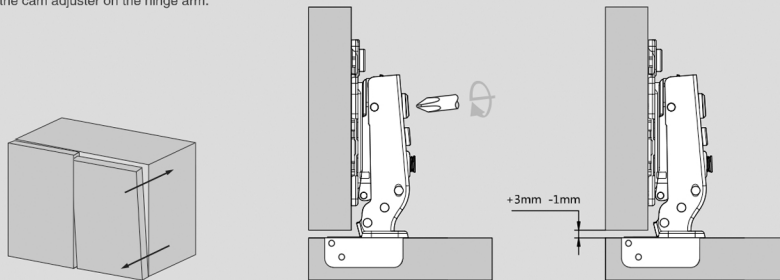
#### PIVOT-STAR side adjustment

Side adjustment of the door is made by using the indicated screw.



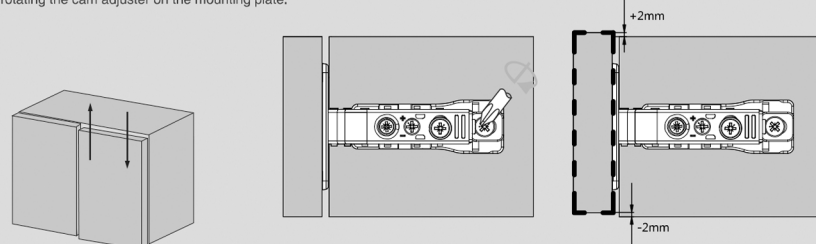
#### PIVOT-STAR depth adjustment

Depth adjustment is made without loosening any screw. The door can be moved in or out by rotating the cam adjuster on the hinge arm.



#### PIVOT-STAR height adjustment

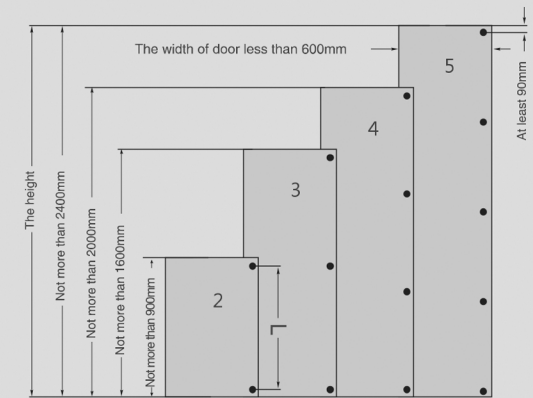
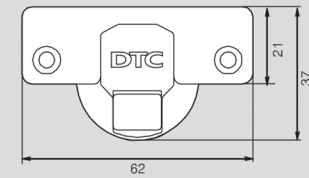
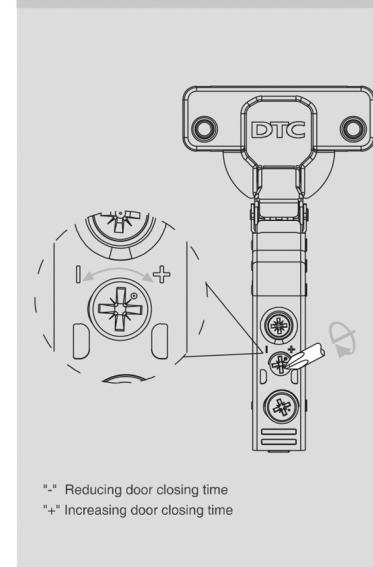
Height adjustment is made without loosening any screw. The door can be moved up or down by rotating the cam adjuster on the mounting plate.



### PLANNING



Door closing speed adjustable



L=distance between hinges

#### Number of hinges needed for each door

The number of hinges needed for each door depends on the width of the door, the height of the door and the type of material the door is made of. It varies in particular practices. The hinge installation proposal listed above is only for your reference. Experiment is suggested in an uncertain situation. "L" volume shall be relatively large considering stability.

#### Adjustment

Side adjustment: -4mm~+2mm

Height adjustment: ±2mm

Depth adjustment: -1~+3mm

#### Mounting plate

Two-hole and four-hole mounting plates

Cross and in-line cam adjustable mounting plates

10 Admiralty Street, Northlink Building #03-52/51/50/35/34 S(757695)

Tel: (65) 6853 3113 Fax: (65) 6853 3003

Email: [marketing@excelhw.com.sg](mailto:marketing@excelhw.com.sg)

(A Singapore Brand)