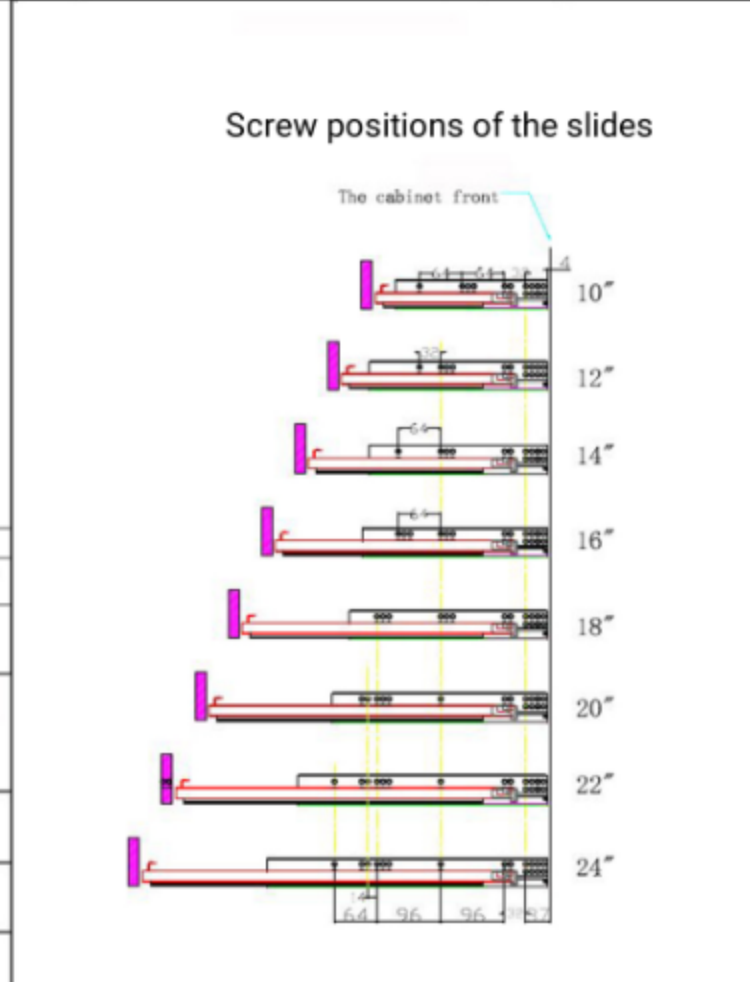
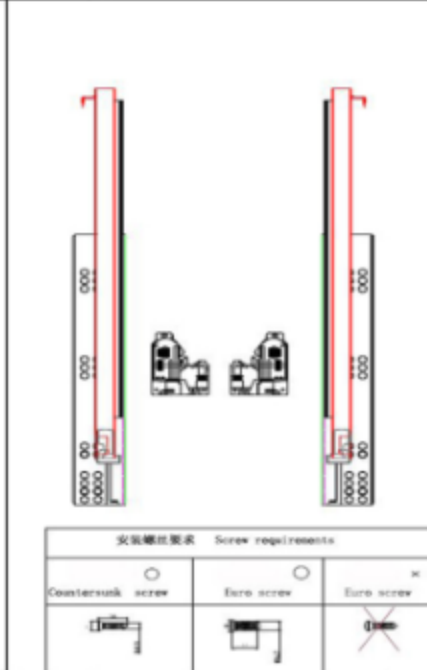
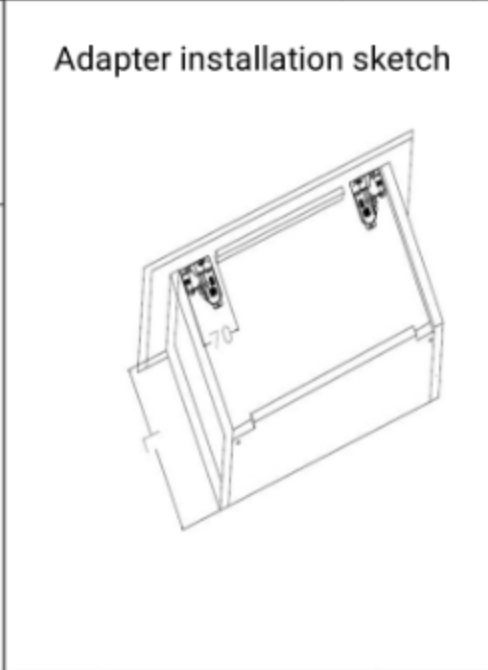
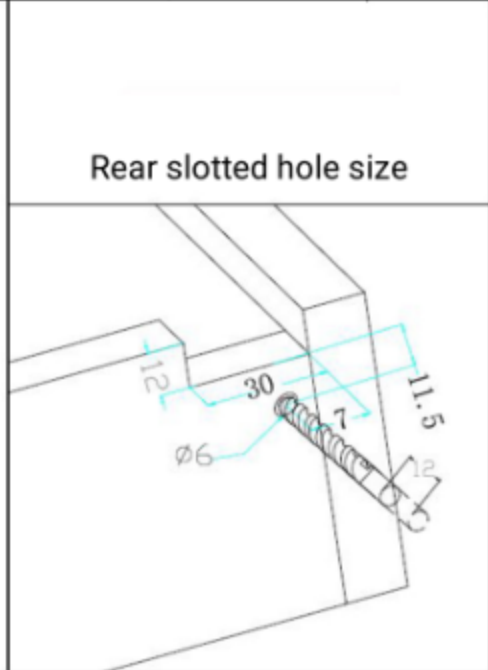
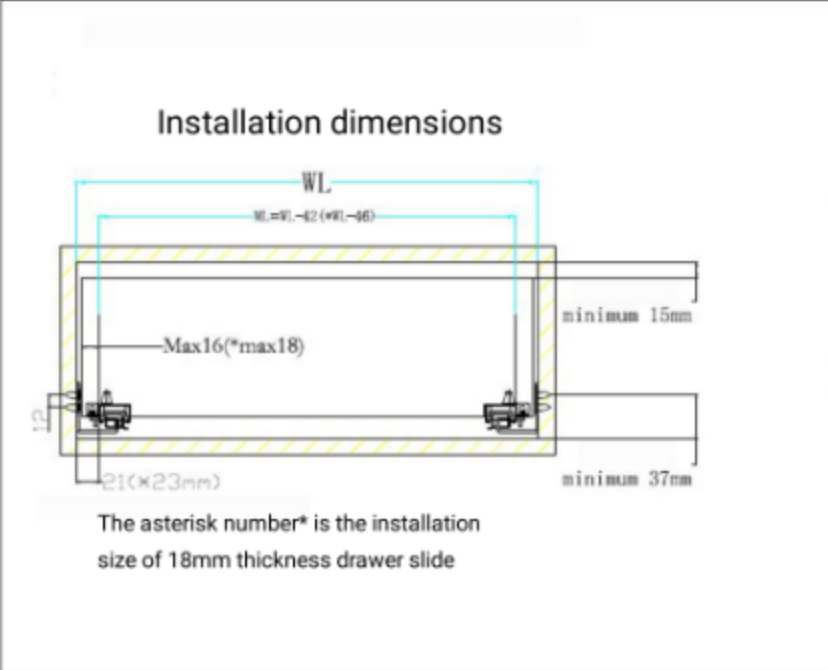
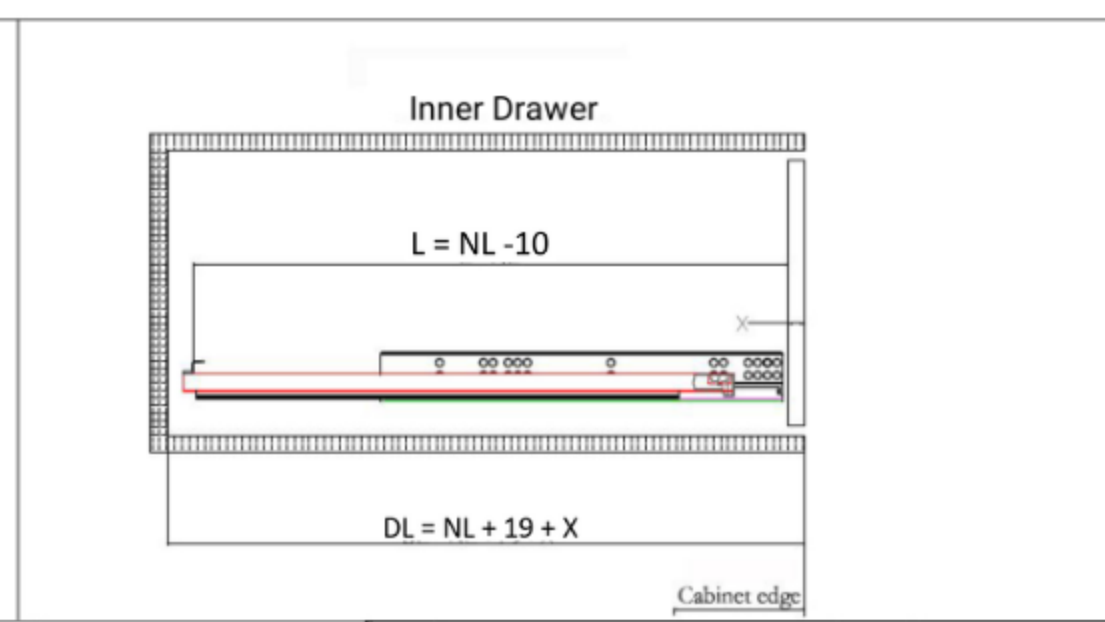
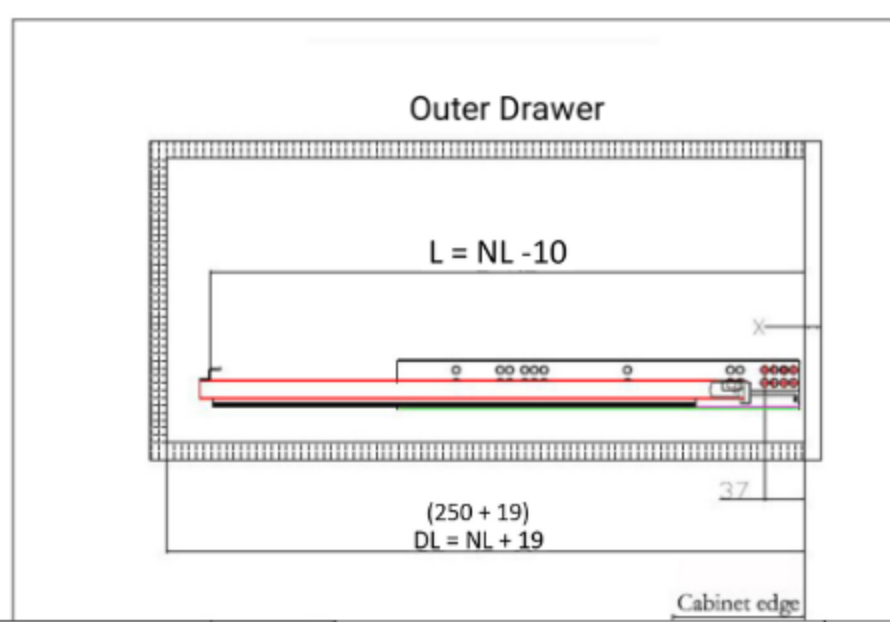
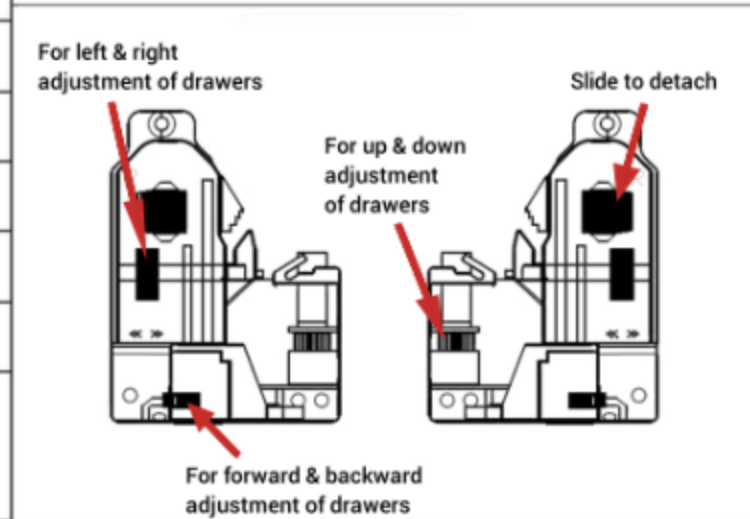


MOLA FERMI 3.0-4D

- X: Panel thickness
- L: Drawer length
- WL: Internal width of cabinet
- NL: Product specification length
- DL: Cabinet internal depth
- ML: Drawer internal width



SKU No.	NL	L = NL - 10	Outer Drawer DL	Inner Drawer DL	Packing units (sets) / box
MOLA FERMI3.0-250-4D	250mm	240mm	269mm	269mm+X	10
MOLA FERMI3.0-300-4D	300mm	290mm	319mm	319mm+X	10
MOLA FERMI3.0-350-4D	350mm	340mm	369mm	369mm+X	10
MOLA FERMI3.0-400-4D	400mm	390mm	419mm	419mm+X	10
MOLA FERMI3.0-450-4D	450mm	440mm	469mm	469mm+X	10
MOLA FERMI3.0-500-4D	500mm	490mm	519mm	519mm+X	10
MOLA FERMI3.0-550-4D	550mm	540mm	569mm	569mm+X	10
MOLA FERMI3.0-600-4D	600mm	590mm	619mm	619mm+X	10



*MOLA FERMI 3.0-4D: 16mm drawer side thickness

X: Panel thickness