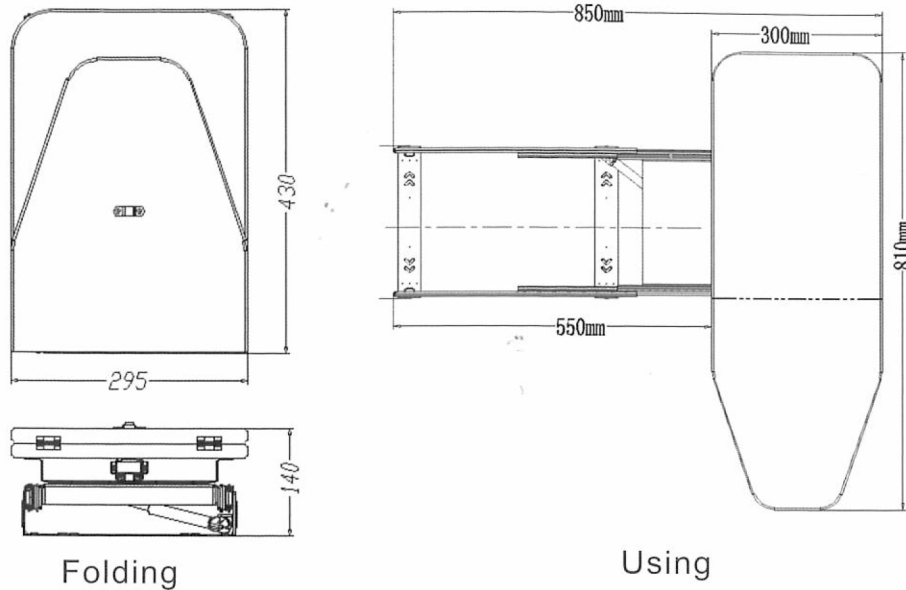


Instructions for use

Pulling out the slide guide being used as the supporting bracket as the following left picture and then unfolding the subpanel to put it on the support bracket as the right picture.

Attention: The support bracket must be pulled out before unfolding the subpanel , otherwise it may damage the product and influence its service life.

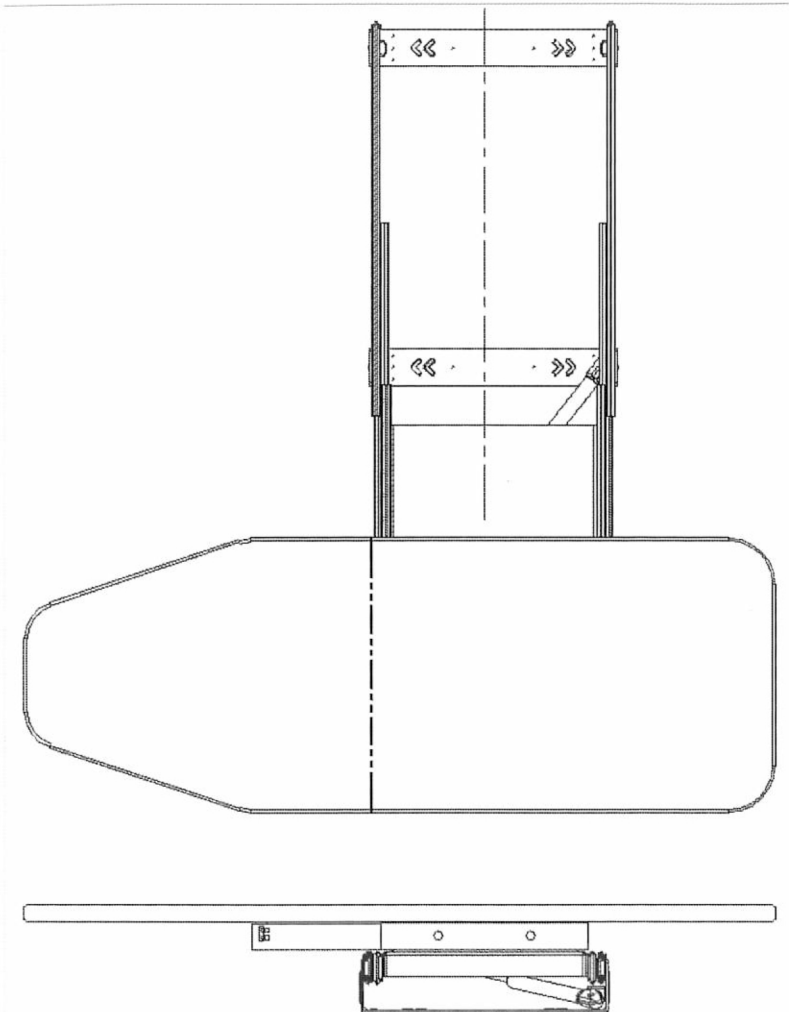


The subpanel and support bracket are absorbed by magnet to guarantee the stability. The handle nut must be tightened up after the working plate is rotated to an ideal degree. The two boards are linked by metal hinge which makes the opening and closing of it more convenient. Folding the board and pushing back the support bracket after using (there is self-locking device whether the supporting bracket is pulled out or pushed back), and then pushing the main-body back to the closet. The ironing board will be automatically retracted by the gas support when the distance is over half. The same is true for pushing out the board, the board will be pulled out automatically when the distance is more than half.

Operating Manual (Ironing board)

These instructions are for your ironing board .Please read through them thoroughly before use and retain for future reference.Failure to follow them could cause injury.

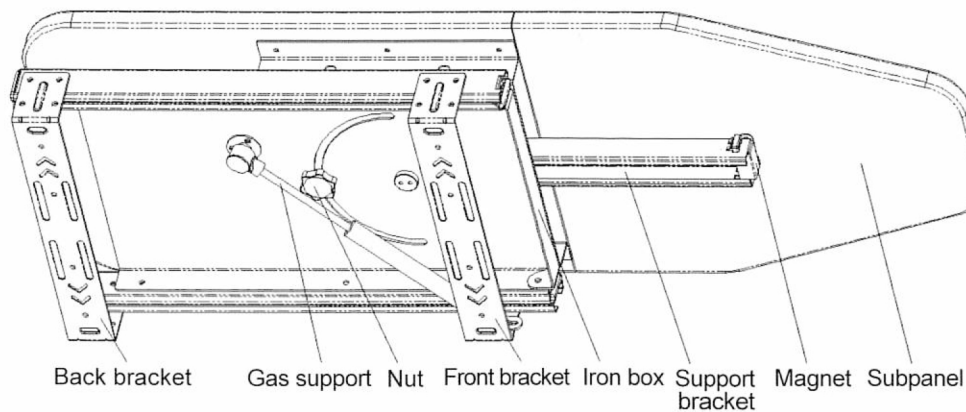
These instructions apply to the products listed below.



Description of ironing board

Product introduction

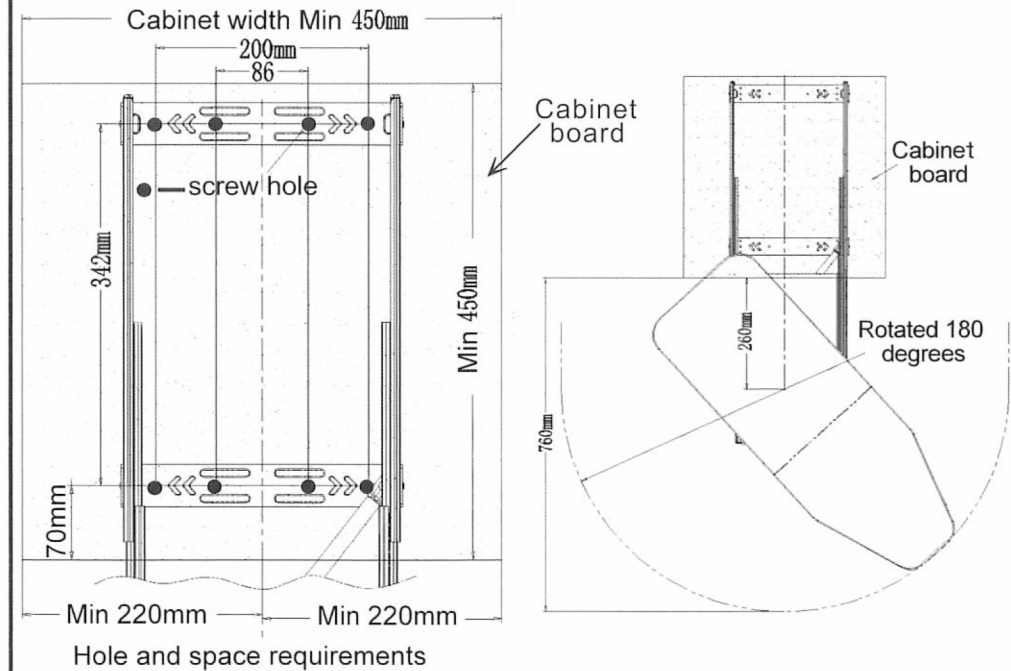
The ironing board is installed in closet. You only have to pull out and unfold it which can be rotated 180 degrees when using, and then fold and push it into closet after using. The functions of spreading out and retracting are achieved by the using of pneumatic equipment. This ironing board is not only ingenious and firm but also beautiful and durable, and room can be saved. 8PCS 4×16 bolts are attached to the product. The outlook size of the ironing board in contraction state is as follows: width 300mm, height 140mm, length 430mm. N.W: 8kg. Package size: 450mm×310mm×170mm.



2

Installation instruction

Installing the product according to the name of assembly units marked in the product drawing and follow these steps: Firstly, drawing lines according to the nail-hole size chart to find the location of any nail-hole and marking it in the board. Secondly, holding the back bracket with a hand and pulling out the iron box with another hand (the moving distance is 390mm) to expose the internal nail hole, and then screw a bolt. Thirdly, putting the board in the right place and screw in the remaining 3 pieces bolts. Fourthly, loosening the nut and catching the board with 90 degrees in any direction to expose the nail-hole of front-bracket. Finally, screw 4 pieces bolts in the front bracket.



3