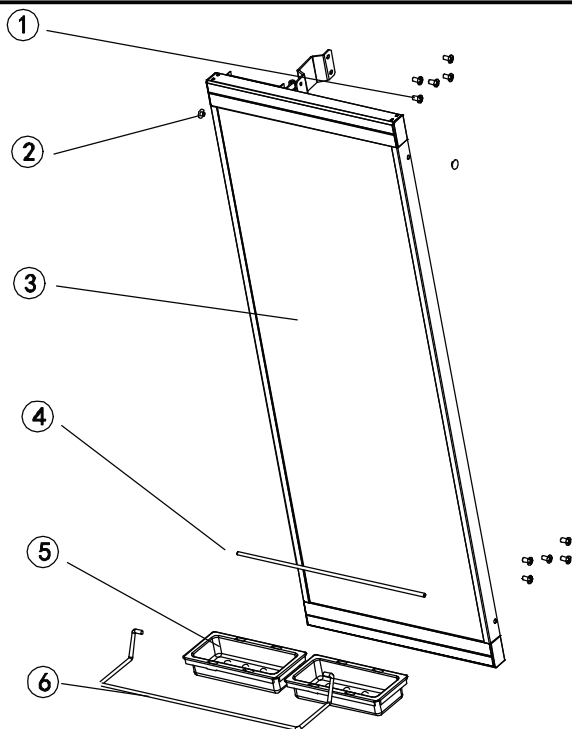


INSTALLATION MANUAL

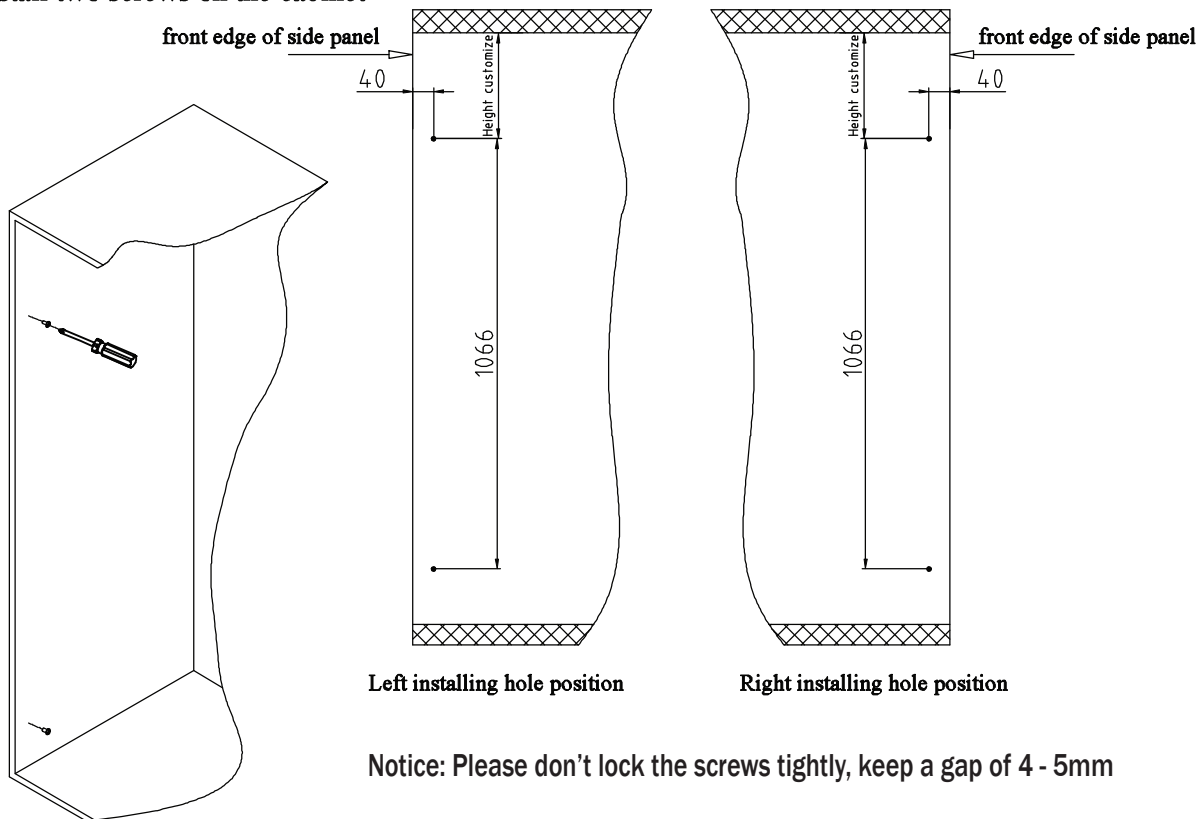


KLS-P21400 EXCEL-NICOLO PULL OUT MIRROR WITH STORAGE

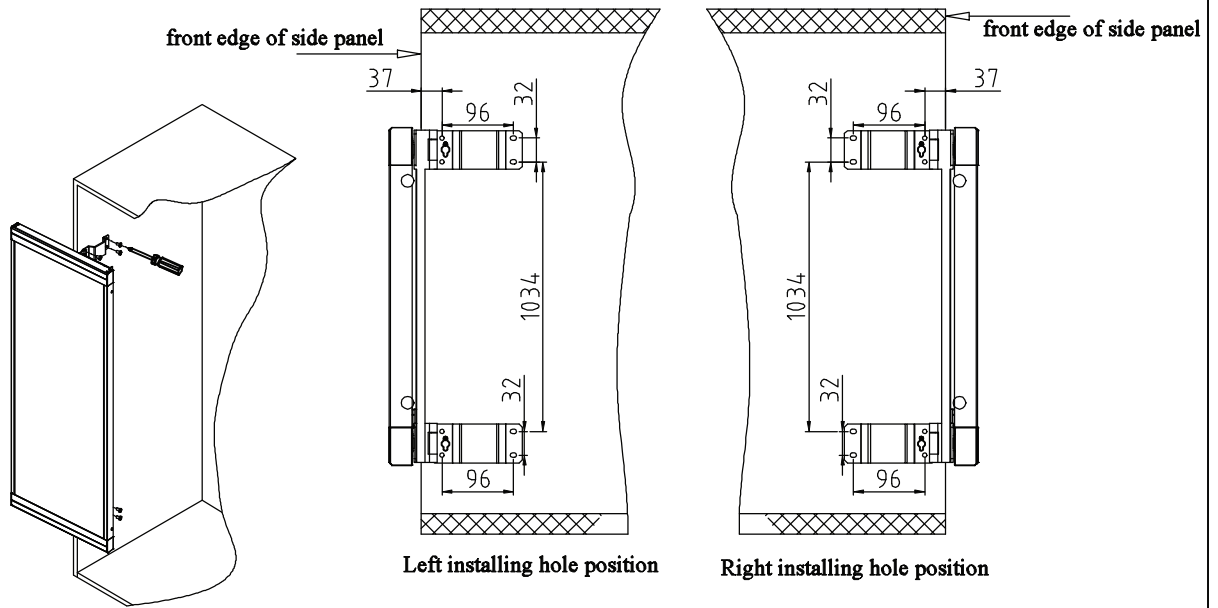
NO	Components	Qty
1	ST4×14mm pan head self tapping screws	10
2	No 8 screw cap	2
3	Mirror frame	1
4	Inserted link	1
5	Plastic box	2
6	Hanging bar	1

Installing Rotated mirror

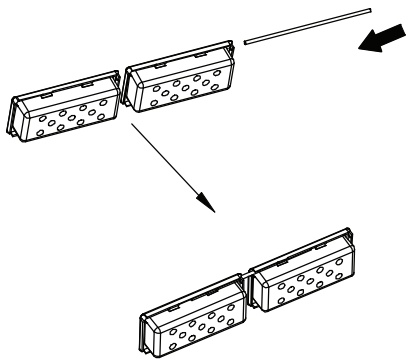
1 Install two screws on the cabinet



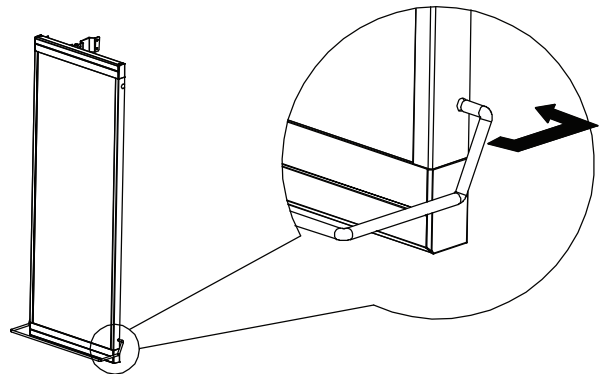
2 Install the mirror on the cabinet and tighten the screws



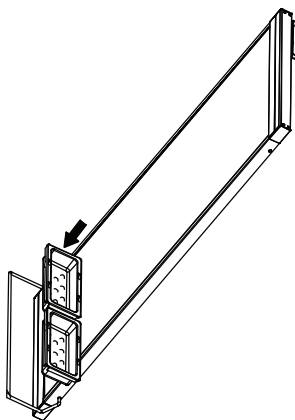
3 Insert inserted link into boxes



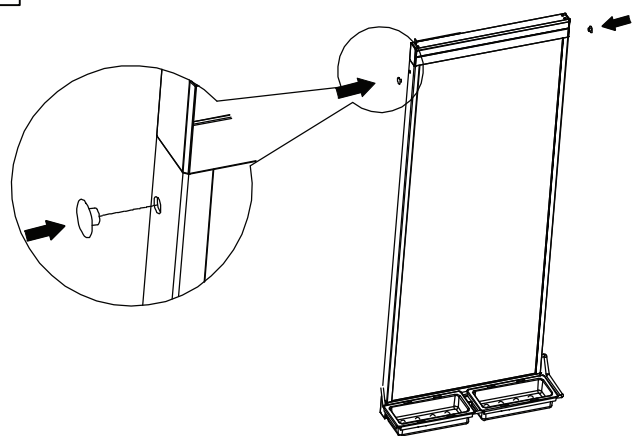
4 Hanger the hanging bar on the mirror



5 Put the plastic box on the hanging bar



6 Cover the screw cap on the mirror



Notice:

1. Mirror without soft closing? Pull-out the hanger, then pull-out the damper by hand, then close the hanger.
2. Soft closing no good? Slide no smooth? Check if some inclusion in the slide.
3. The mirror can't rotate, or the rotate not enough, or the self closing no working? To be sure the gap between the first hole and front edge of side panel not more then 37mm.