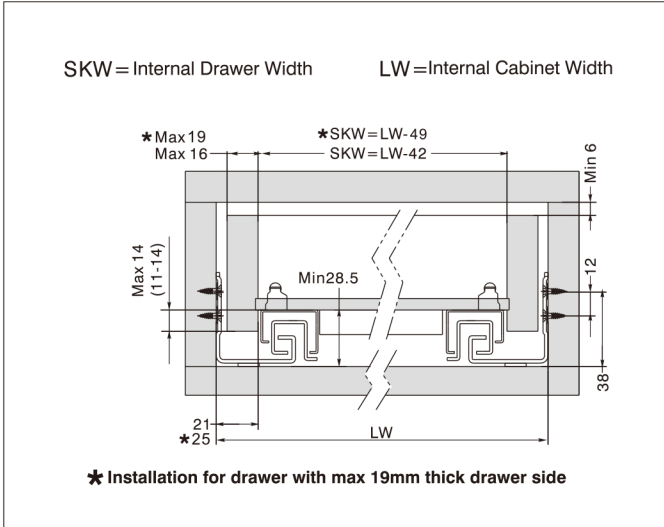
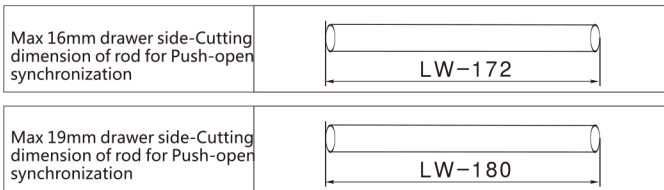


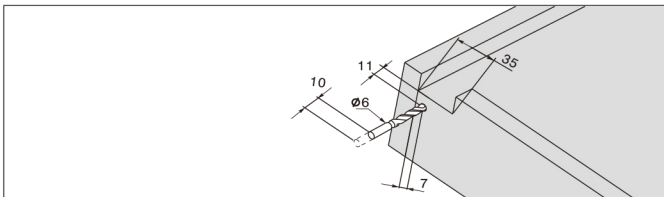
16mm/19mm Drawer installation dimensions(with locking device)



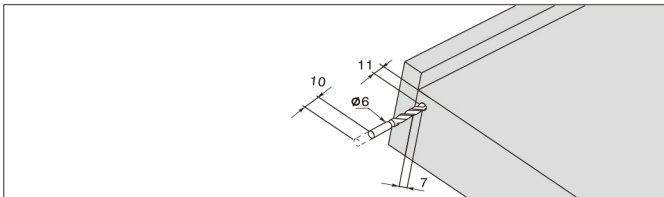
Cutting dimension of rod for Push-open synchronization (mm)



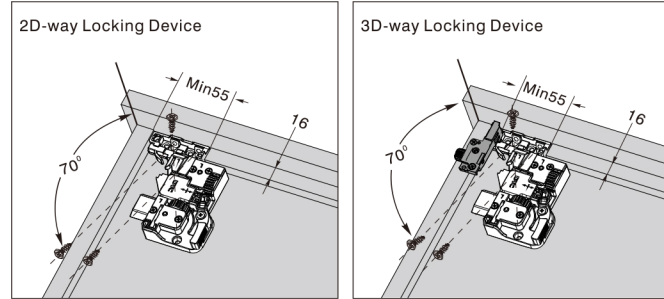
Soft-closing drawer back preparation



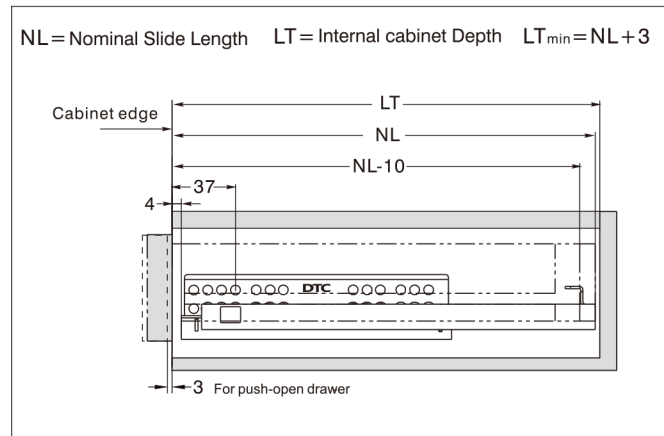
Push-open drawer back preparation



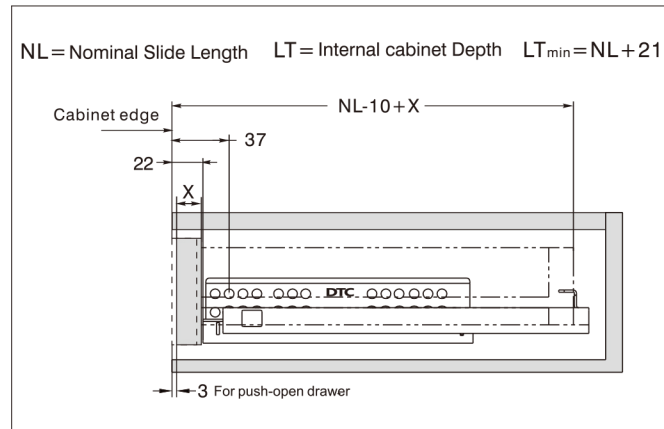
Locking device installation



Standard Drawer installation dimensions



Inner drawer installation dimensions



Screw Positions of the Slides

