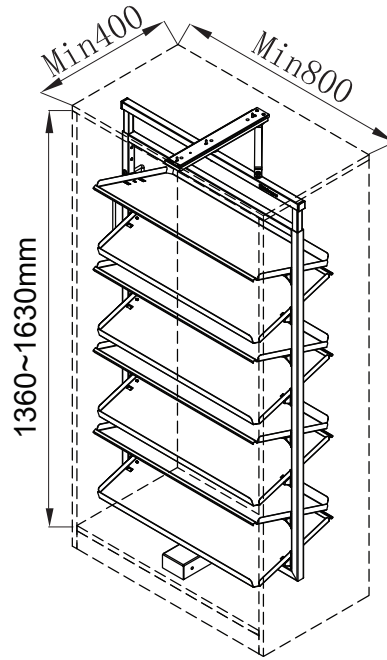


Notes:

1. Please read this instruction carefully before installation.
2. This instruction is workable for 8 layers rotating shoes rack.
3. Cabinet size requirements:
 - 3.1 : width \geq 800mm, depth \geq 400mm, thickness of side panel is 16~18mm
 - 3.2 : suitable height for 8 layers: 1360~1630mm



Accessory List

① Rotary shoe rack main frame 1 pc	② adjustable frame 1 pc	③ Panel 8 psc						
④ Lower rail set 1 pc	⑤ Upper rail set 1 pc	⑥ handle 2 pc	⑦ Shoe rack leather 8 pcs					
⑧ Panel brackets 8 set	⑨ M4*5 4 pcs	⑩ M6*35 2 pcs	⑪ ST4.2*16 10 pcs	⑫ M6 2 pcs	⑬ M8 1 pc	⑭ spanner 2 pcs	⑮ Allen key 1 pc	⑯ 1:1 mounting cardboard 1 pc

Installation tools preparation: 1 cross screwdriver, 2 pencil

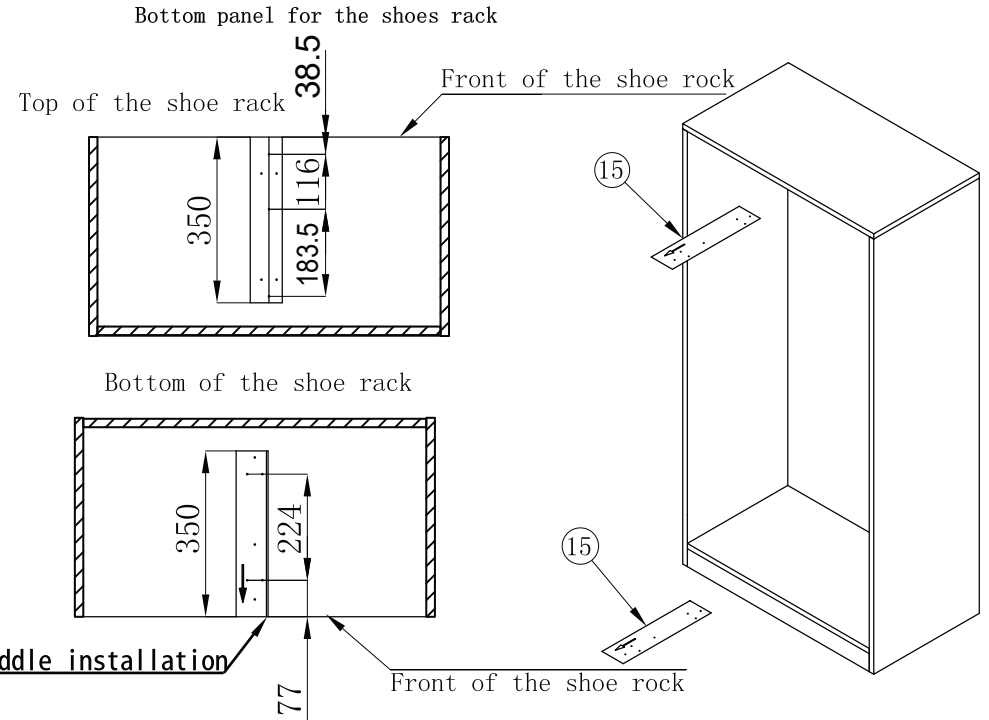
Rotating shoes rack maintenance

- 1 No pull or push the shoe rack with violence.
- 2 Reasonably storage of shoes, and each layer suggests to put no more than 4kgs shoes.
- 3 Children are not allowed to stand on it.
- 4 Avoid scratches by sharp materials when cleaning.
- 5 Avoid small granules going inside to destroy the slide system.

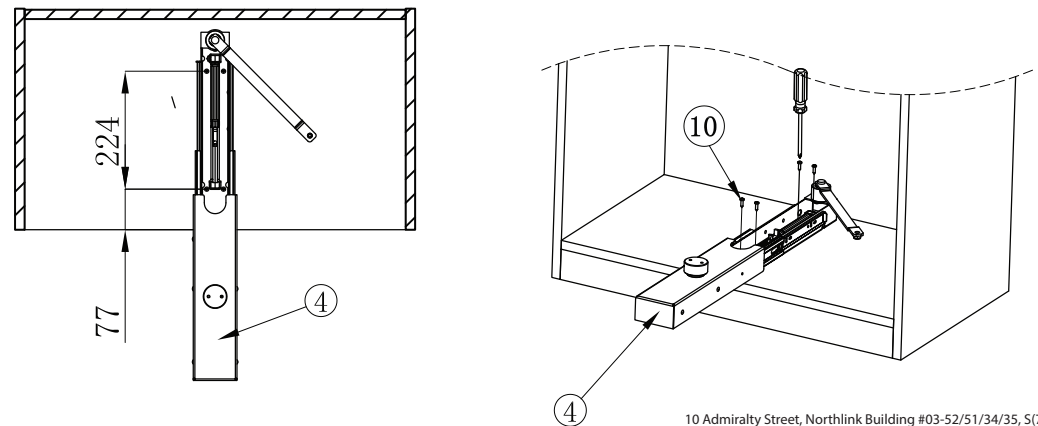
Installation Steps

Installation steps 1:

1.1 As shown, place 1:1 mounting cardboard ⑮ and mark with a pencil at the position of the round hole.

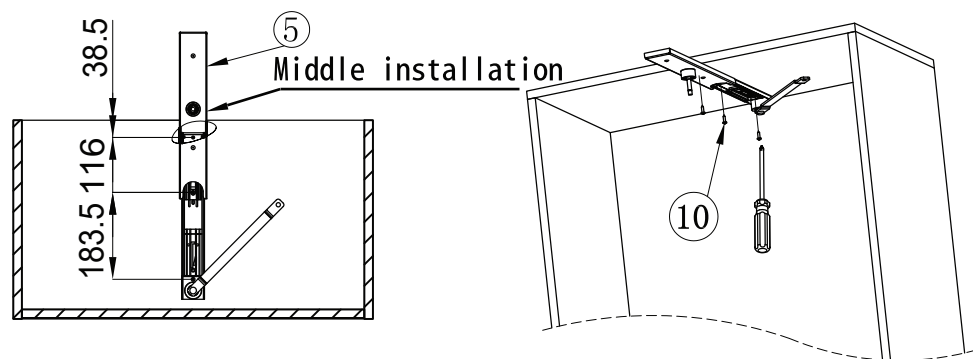


1.2 Take out 1:1 mounting board, place the lower rail set ④, align the mounting holes drawn in step 1, and install the lower rail set ④ under the bottom panel with four screws ⑩

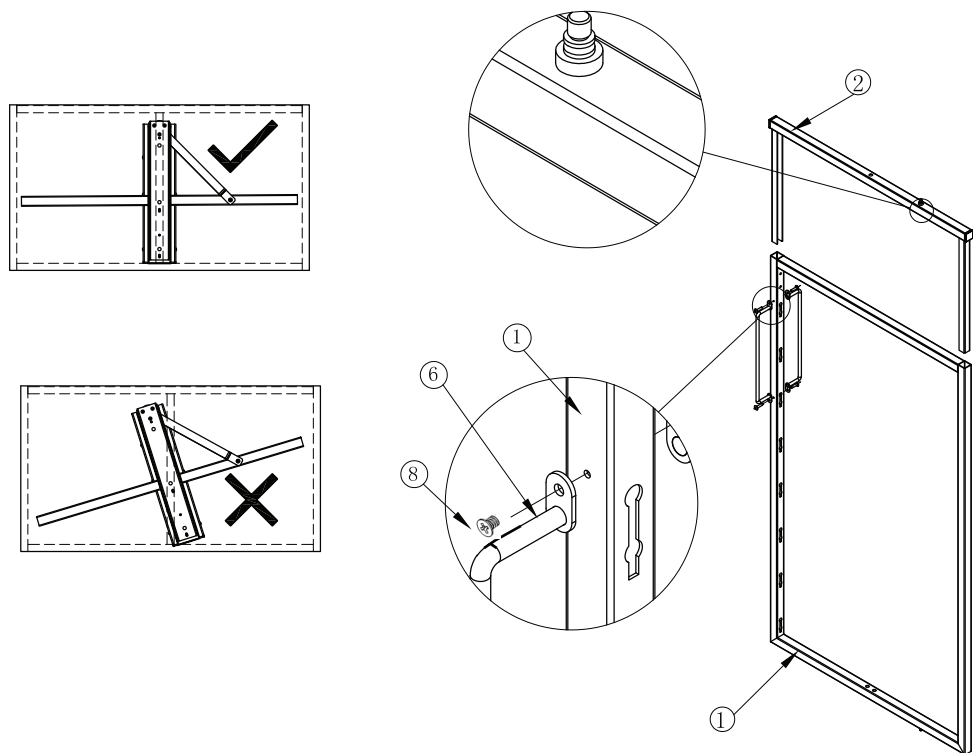


Installation step 2:

- 2.1 Align the mounting hole in step 1 with 3 screws ⑩, and install the upper rail ⑤ on the top of the shoe rack

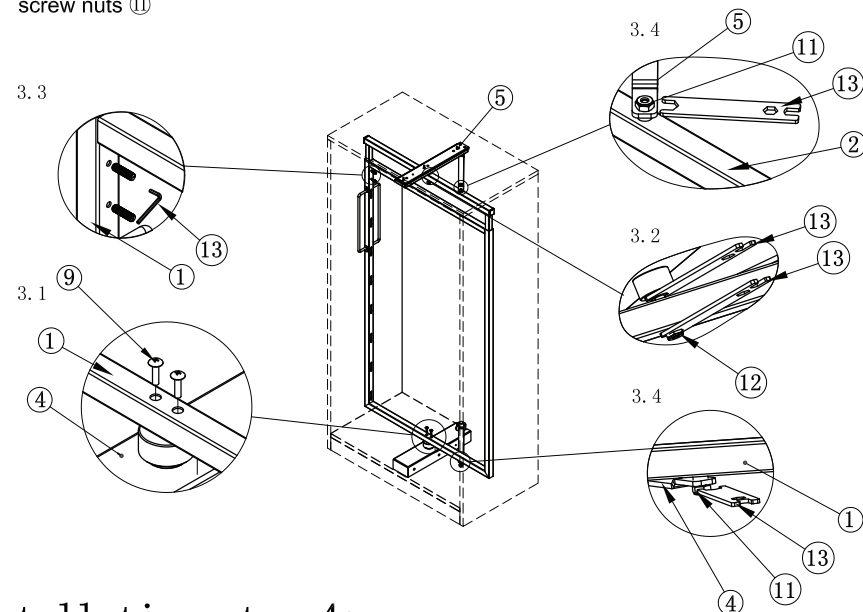


- 2.2 Insert the adjustable frame ② into the main frame ①. The two screws shown in the figure below should be in the same direction, otherwise the rotary shoe rack can not be installed correctly.
2.3 Use four screws ⑧ to attach two handles ⑥ to the main frame ①.



Installation step 3:

- 3.1 Use 2 screws ⑨ to install the main frame ① on the lower rail ④
3.2 Pull out the adjustable frame ②, install the upper rail ⑤, and fix it with a M8 screw nut ⑫
3.3 Use an inner hexagon spanner ⑬ to tighten the set screws in the main frame ①.
3.4 Put the pendulum bar of the upper rail ⑤ and the pendulum bar of the lower rail ④ into the screws of the main frame ① and the adjustable frame ②, and fix it with M6 screw nuts ⑪



Installation step 4:

- 4.1 Install the panel brackets ⑦ on the main frame ①.
4.2 The panel ③ is mounted on the panel brackets ⑦ and then finish installing

