

 [excelhw.com.sg](https://www.excelhw.com.sg) 

Email: sales@excelhw.com.sg

EXCEL[®] *Premium*
 [excelhw.com.sg](https://www.excelhw.com.sg) 



E038S-SUS304
EXCEL-RUFINO ITALIAN SERIES SUS304
2 TIER MULTIPURPOSE SLIMLINE SLABS
PULL OUT KITCHENWARE BASKET

Installation and
Operating Instruction

Thank you for using EXCEL Products

Please read the following requirements before installation

1: The cabinet must be the standard cabinet market in the outer box;

2: The thickness of the side panels on both sides of the cabinet must be 16 or 18mm;

3: Cabinet height recommended $\geq 650\text{mm}$, (less than this size will affect daily use);

4: This manual is suitable for the installation of ordinary handle door, special door please refer to the general door size and then adjust their own, or consult EXCEL customer service hotline;

Note: If the cabinet failed to meet the requirements of any two, please do not install this product, thank you.)

Daily maintenance and maintenance of products



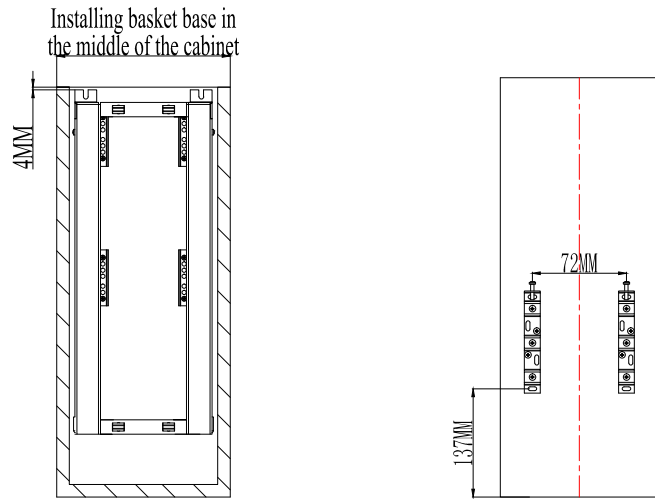
1. Keep the inside of the basket clean and regularly cleaning the water tray.
2. To avoid the liquid spilled into the rail to ensure the normal work and life of the guide
3. Avoid contact with acid and alkaline, soy sauce, salt etc. in the basket

Common faults and handling methods

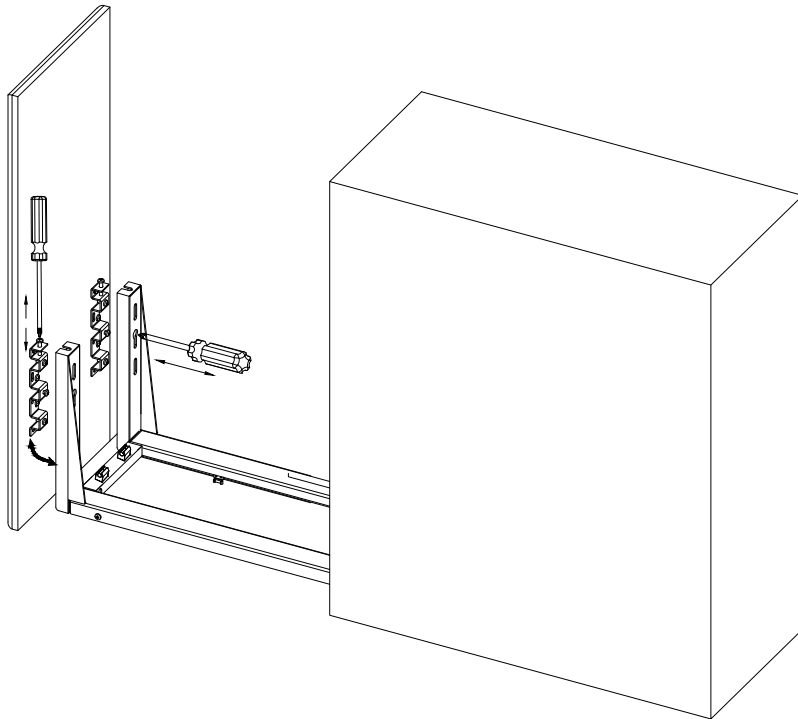


No.	Common Problem	Cause Analysis	Solution
1	Unsmooth Pulling Or Damping Failure	Rail damper is disabled Guide spring is damaged Rail lubricant is dry Deformation of rails Installation is not parallel Pull basket installation error There is a object in the slide	Replace the rail damper Replace the guide spring Add lubricant Replace the rails Adjust the rail mounting position Adjust the basket position Eliminate obstacles
2	Door Cannot Shut Properly Or Door Can't Close	Rail is not installed correctly Door assembly is not installed correctly Base deformation Door deformation Basket deformation Load overweight Basket door screw is loose	Adjust the rail mounting position Adjust the door assembly position Replace the base Replace the door plate Replace the basket Adjust the provisions in the basket Tighten the screws
3	Appear Spot or Foul Taste	Left unclean for long period of time	Clean the basket and water tray regularly
4	Hanging rail with pull basket push and roll is not smooth	Press the force button as specified Basket weight exceeded	Use the force button Reposition your items in the basket
5	Pull the basket in order to push the rotation guide	Rotary connection loose Unwanted sound after long period of use	Properly fasten the connections Add lubricating oil to each connecting part

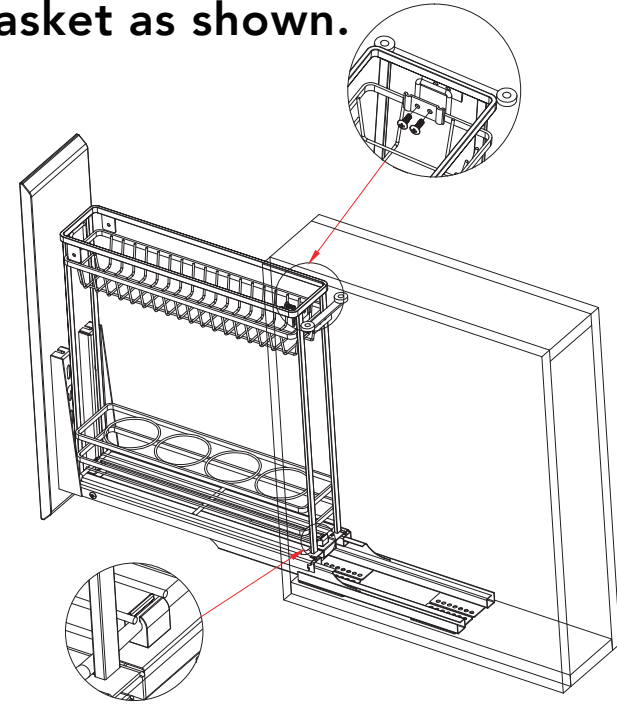
1. Fix the screws as shown.



2. Adjust panel's position and fix it with screws as shown.



3. Fixing basket as shown.



4. Fix the bracket as shown and be sure slide moving smoothly.

