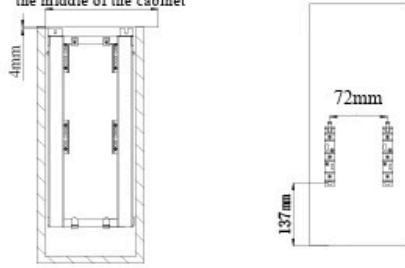
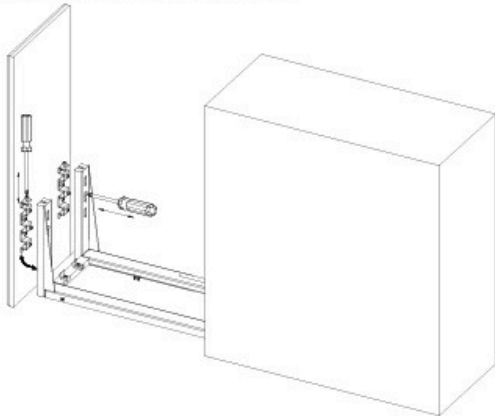


1. Fix the screws as shown.

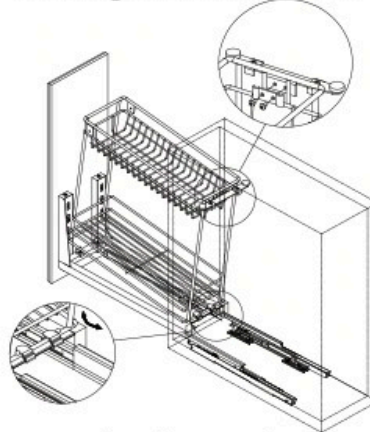
Installing basket base in the middle of the cabinet



2. Adjust panel's position and fix it with screws as shown.



3. Fixing basket as shown.



4. Fix the slice as shown and be sure slide moving smoothly.

