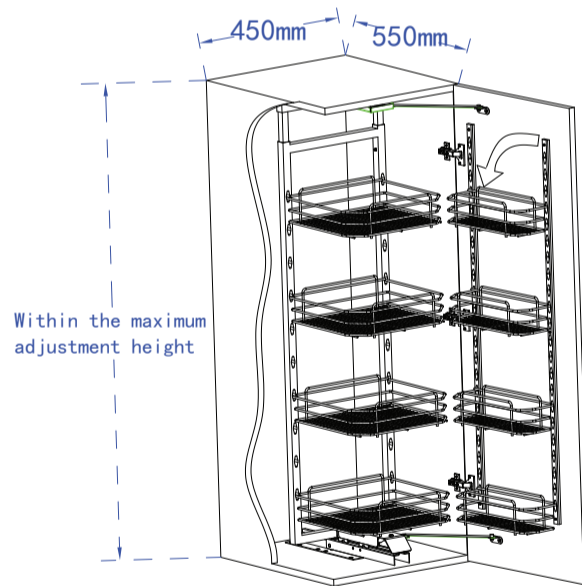
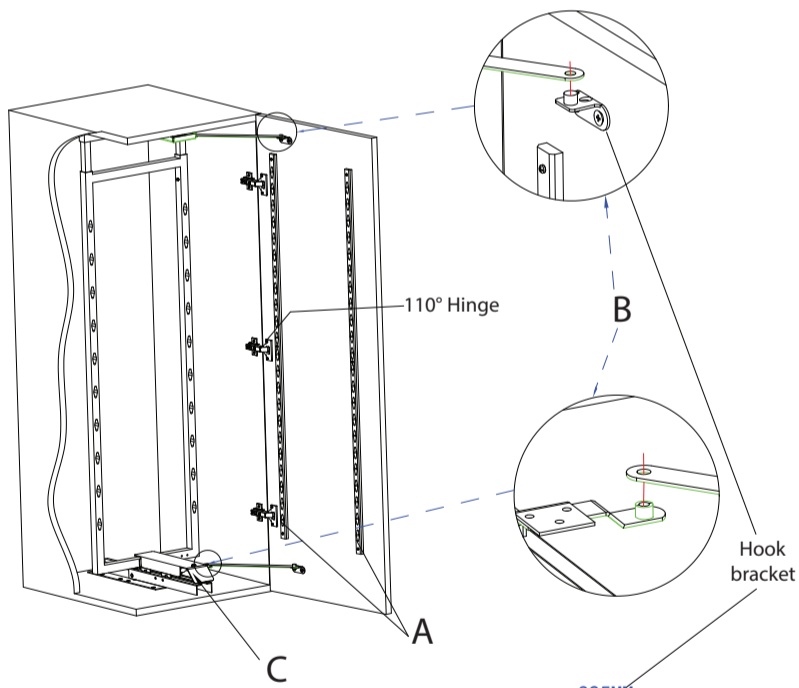


1. Fix top and bottom runner base according to the measurement stated above.

2. Fix frame onto the connector bracket on the top and bottom runner cover tighten with screw. Put the frame into the carcass rest on the top and bottom runner base.

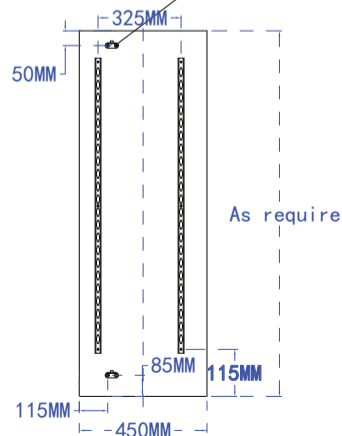


3. Install door with hinge.

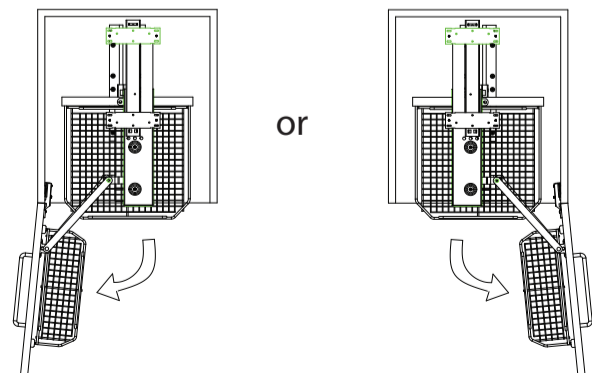
A. Fix long bracket on door see details of measurement.

B. Hook connector arm from runner to hook bracket on door see position on door.

C. Locked the bottom runner cover.



4. Hang on the big basket (inner frame) and small basket (for the door)



The model can be install door to LEFT open or RIGHT open.

5. Test the door should be open and close freely.