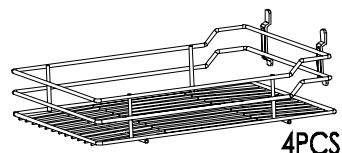
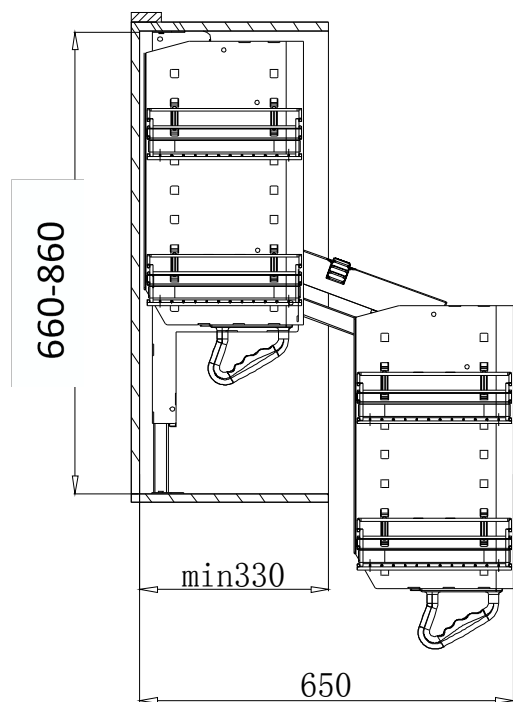


Instruction for soft stop elevator



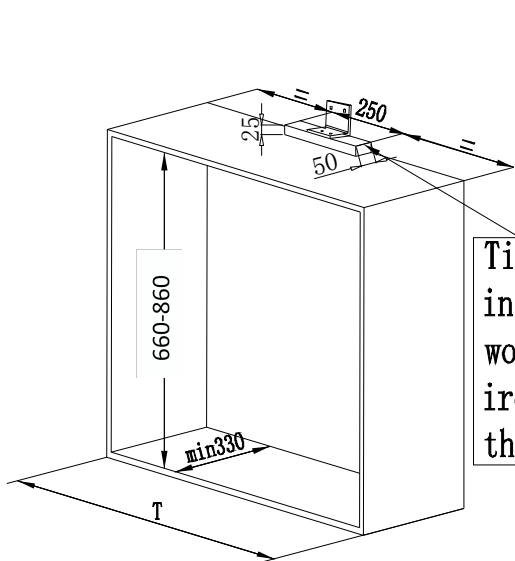
Name	picture	Pcs
ST3.5*16 Tapping screw		8

Step 1 :Select the appropriate cabinet as picture shown.

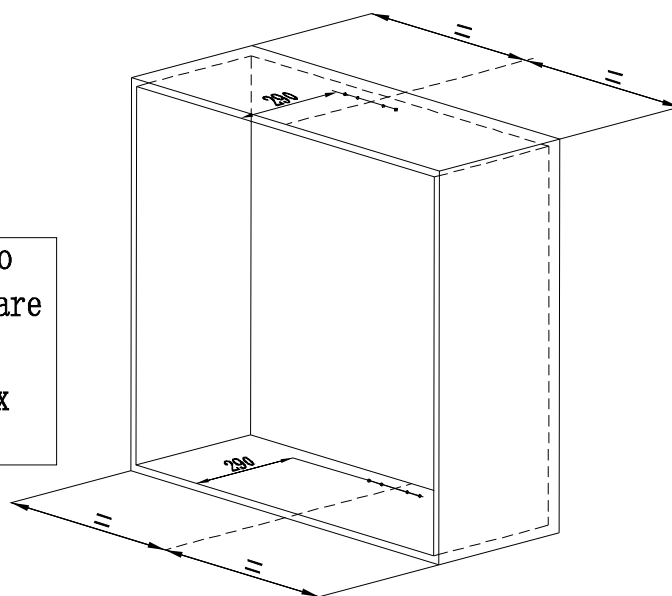


||
min 15kg

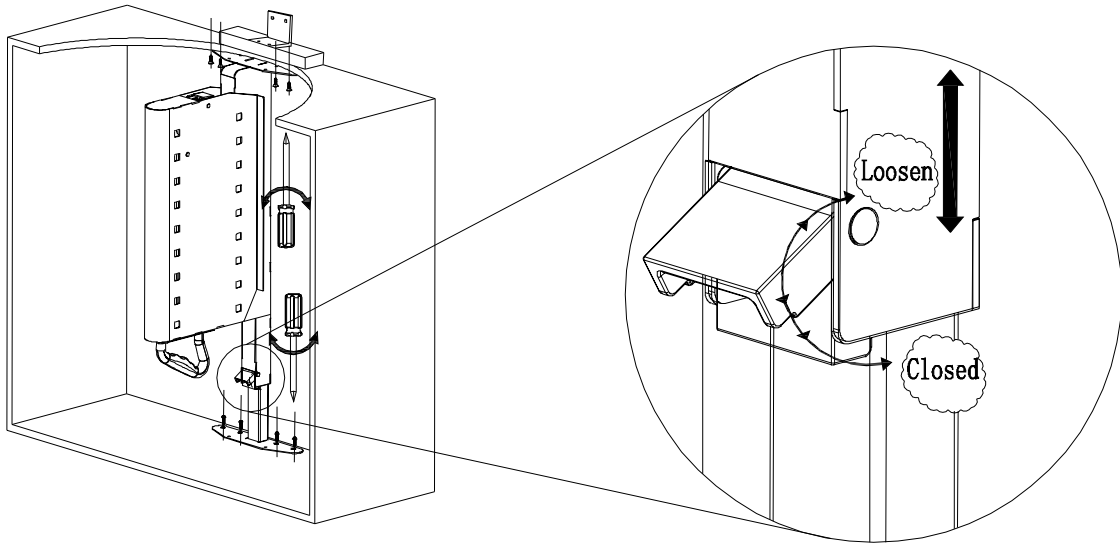
step 2 :As is shown,drill 8 pcs small holes $\phi 2.5\text{mm}$ respectively in the panel.



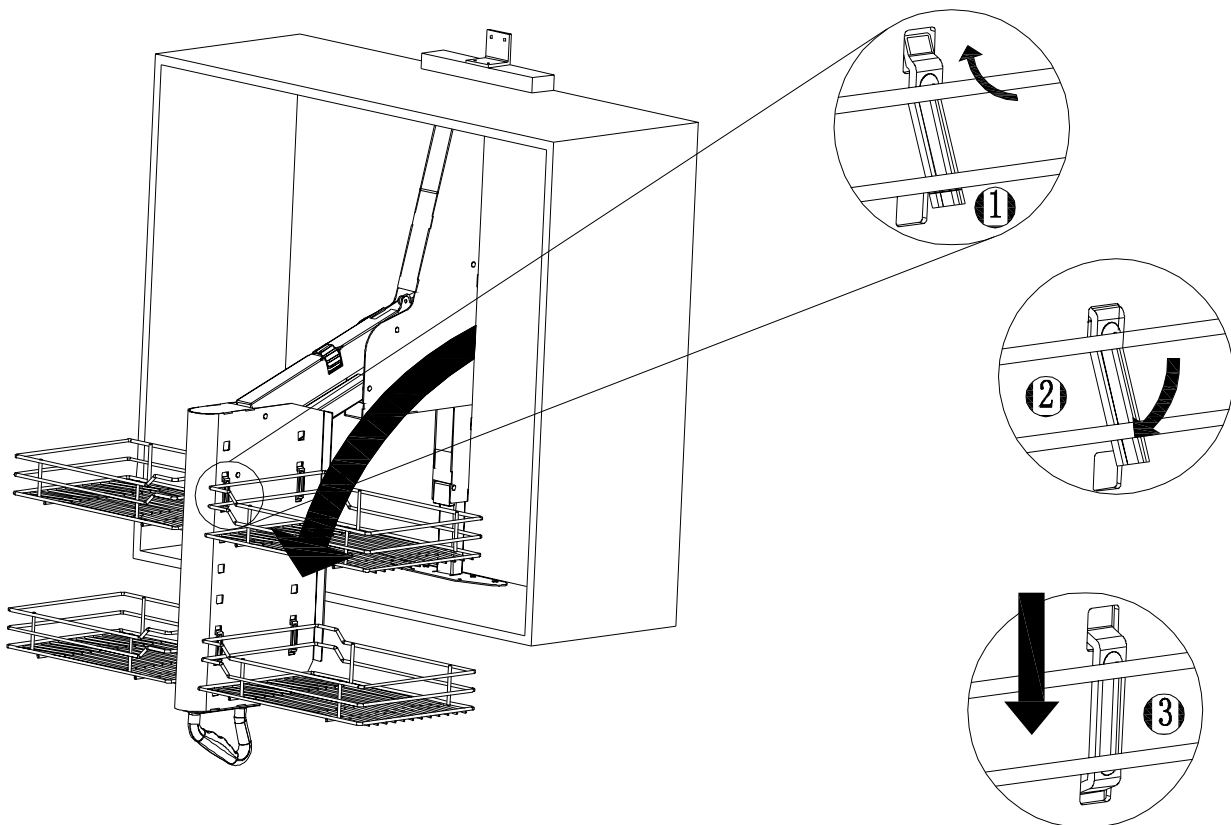
Tips:suggest to increase a square wood bar or an iron bar to fix the panel.



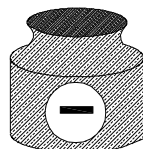
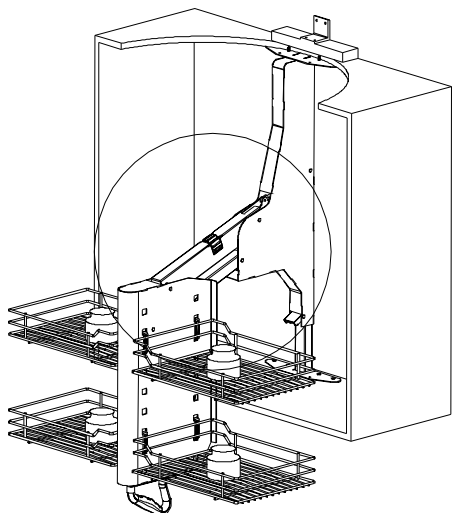
step 3: Install this product with 8 pcs ST3.5×16 self-tapping screws.



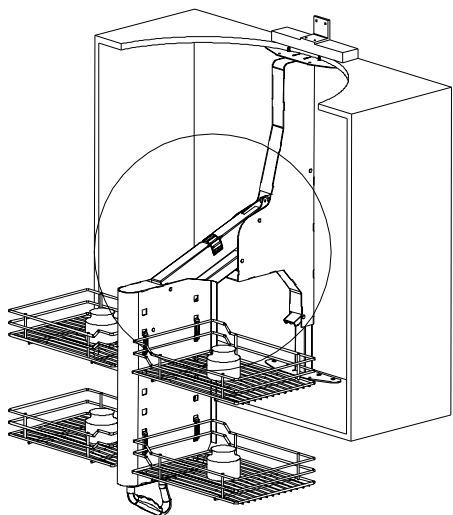
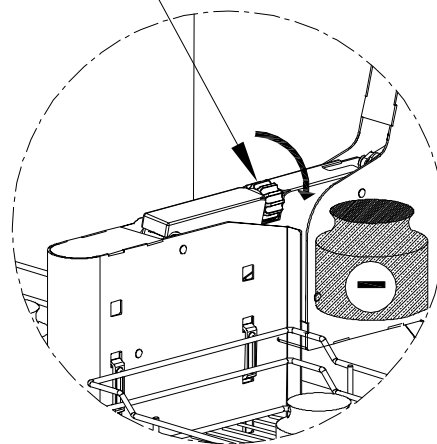
step 4: Install the baskets.



step 5 : Adjust the product according to the heavyweight.



The power button , you can adjust it when you screw out right or left.



Attn: The best way you can adjust the power is when you push down the product to 90 degree.

