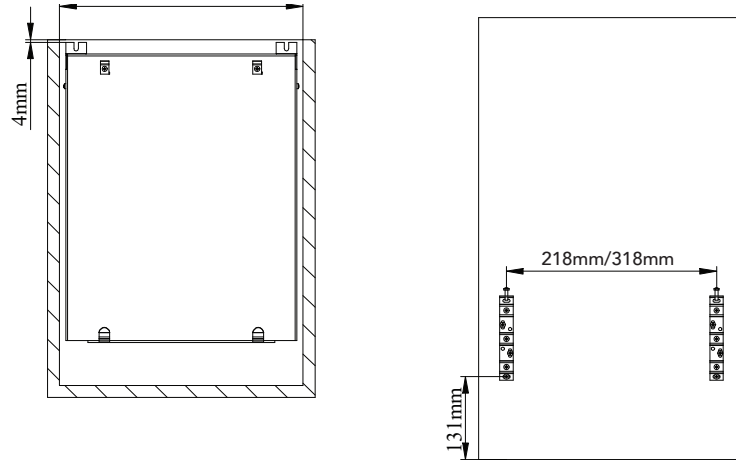
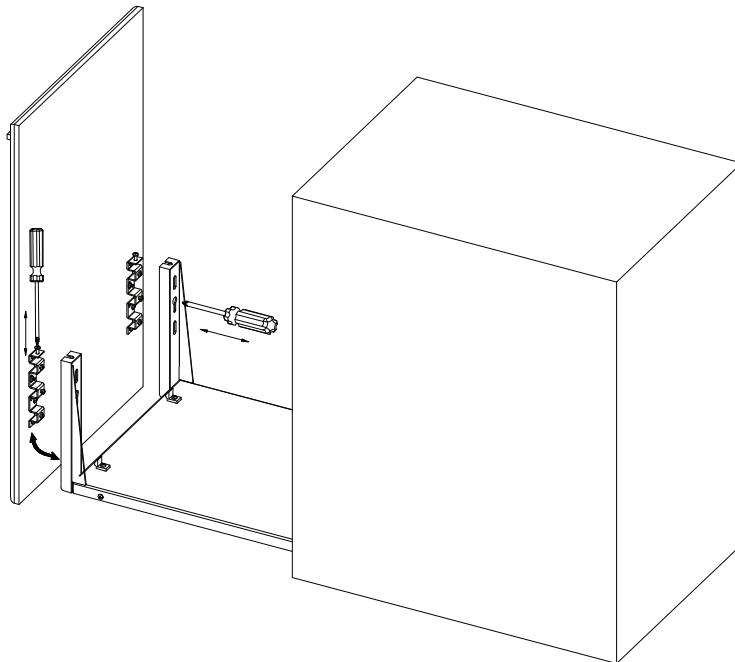


# E019S EXCEL-MULTIPURPOSE SOFT CLOSING BASKET

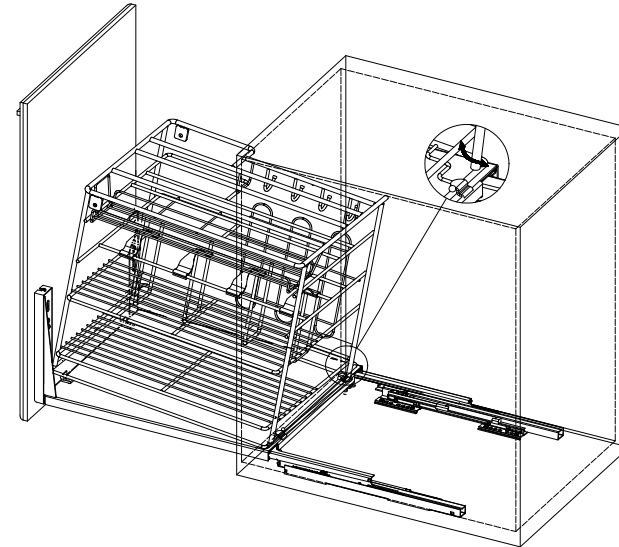
1. Fix with screws as shown.  
Install basket base in the middle of cabinet



2. Adjust Door panel position and fix it  
with screws as shown.



3. Install the basket as shown.



4. Fix the bracket as shown and ensure slide is  
moving smoothly

