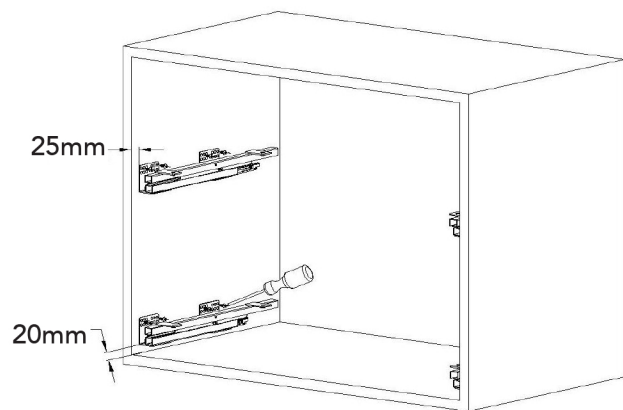
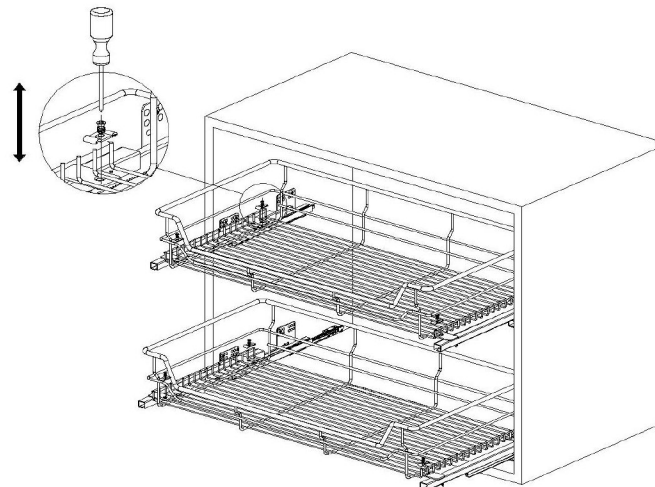


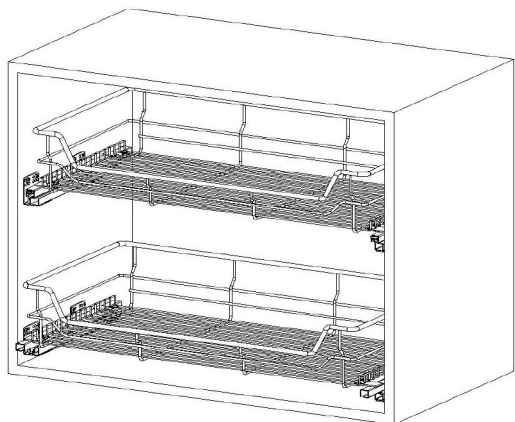
1. Fix all slide according to the measurement as shown in the diagram



2. Fix the basket as shown in manifying view



3. Close the basket and adjust position if needed



4. Ensure slide is smooth when it's pulled and pushed

