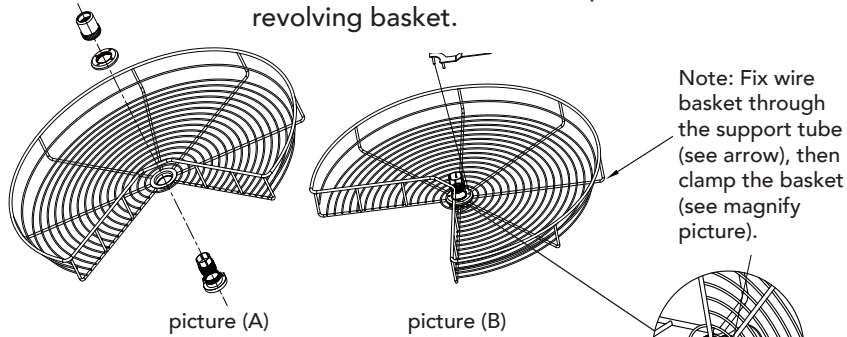


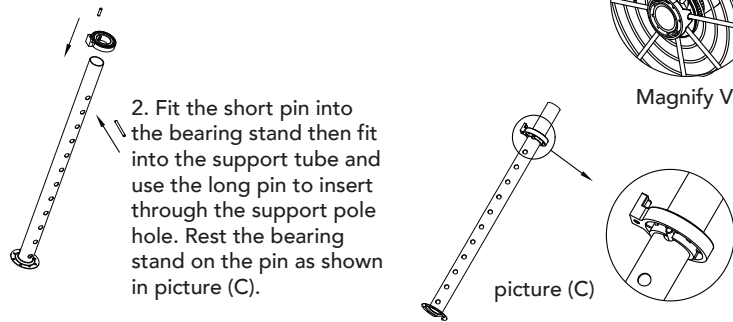
# E010-270D-800

## EXCEL-270DEG TURNABLE CORNER BASKET

1. Fit in the parts as followed in picture (A) , and use spanner aim at the hole in the nut and clamp the revolving basket.



2. Fit the short pin into the bearing stand then fit into the support tube and use the long pin to insert through the support pole hole. Rest the bearing stand on the pin as shown in picture (C).



3. Insert the top support tube into the bottom support tube and tighten it with the inching nut.

