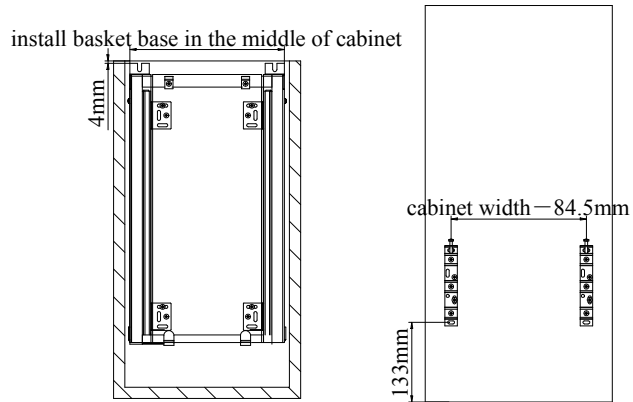
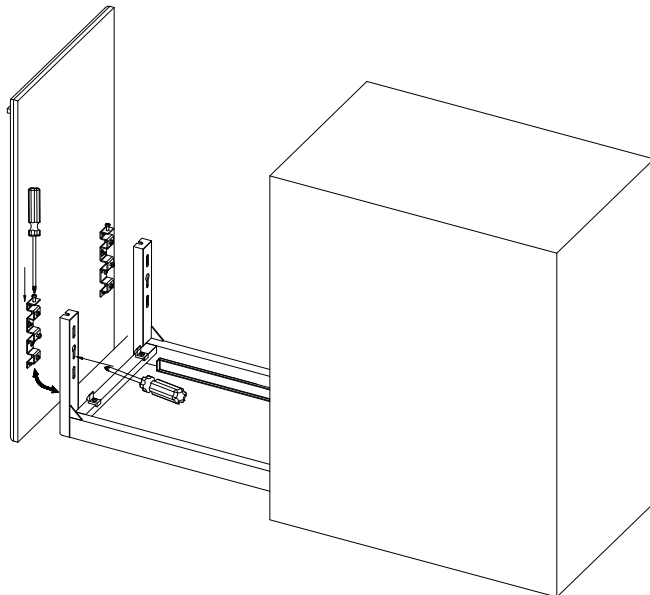


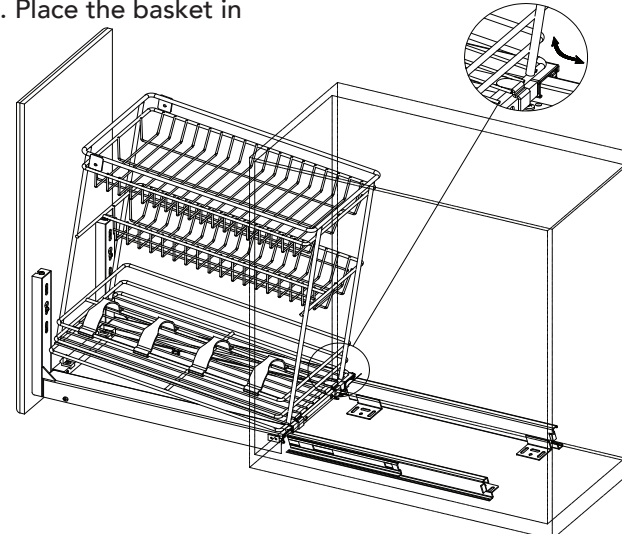
1. Fix with screws as shown in the diagram



2. Adjust the door panel's position and fix it with screw as shown in the diagram.



3. Place the basket in



4. Fix the bracke as shown in the diagram. Be sure slide move smoothly

