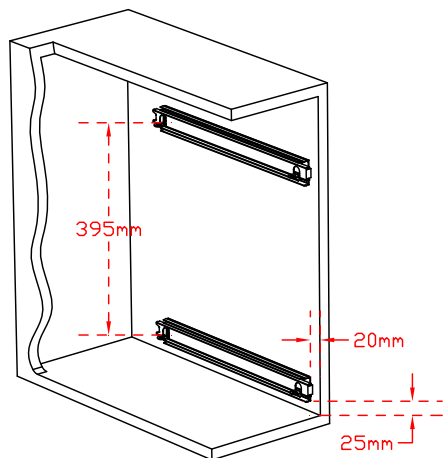
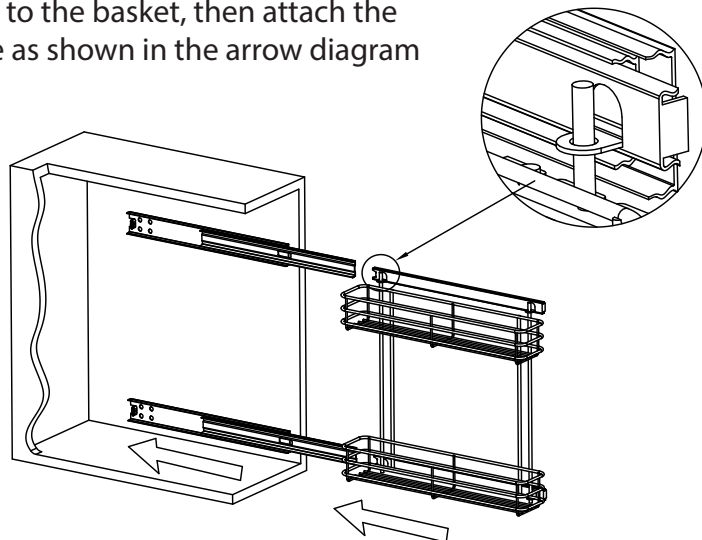


E008-N EXCEL 2 TIER MULTIFUNCTION DRAWER BASKET

1) Disconnect the inner slide from the slide, fix the outer slide on the inner cabinet with screws as shown in the diagram



2) Lock the inner slide to the basket, then attach the outer slide to the slide as shown in the arrow diagram



3) Basket track movement

