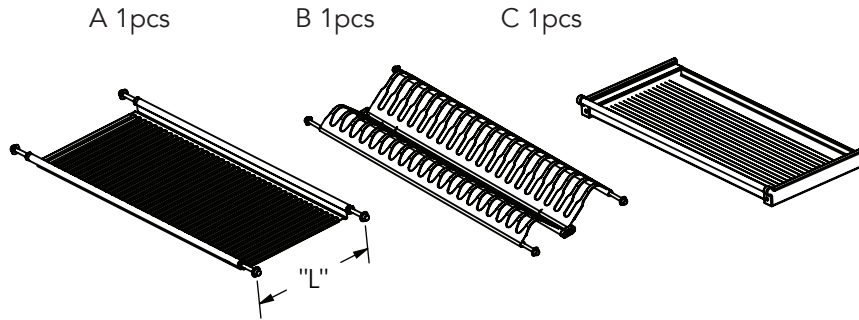


**E007-SUS316**

**EXCEL-COLAPIATTI SUS316 DISH TRAY+AL/DIE CAST CONNECTOR**

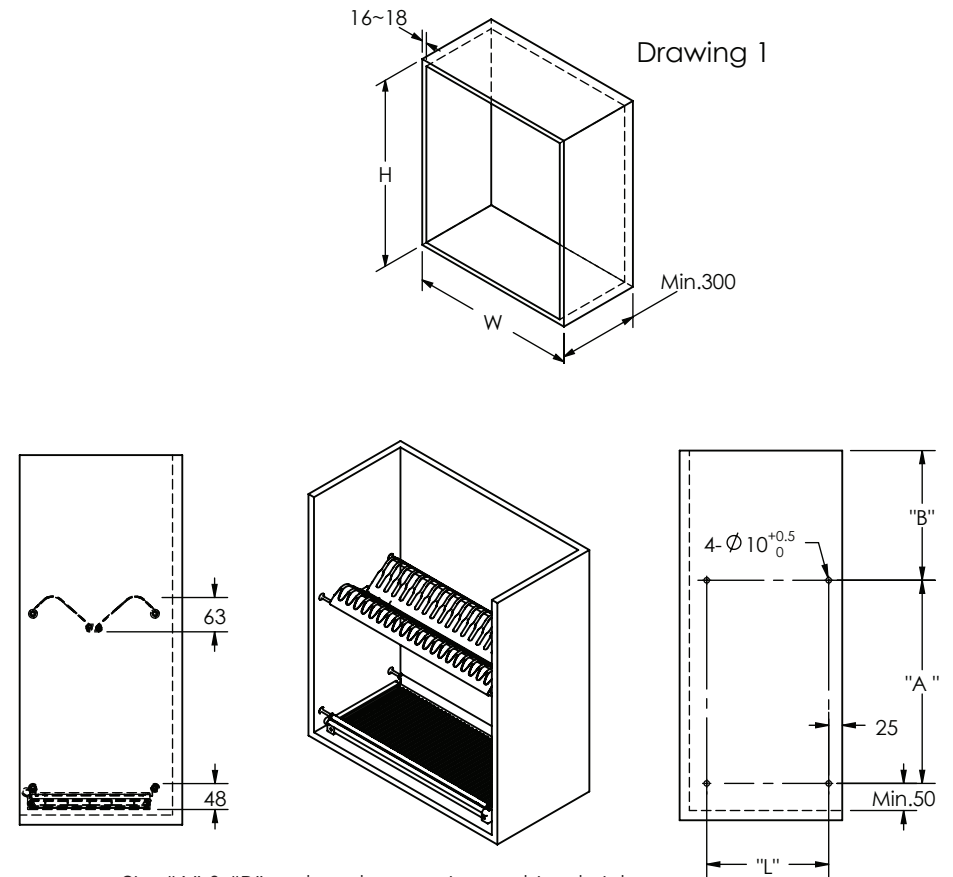
**1. Accessories**



**2. Specification & Cabinet Width**

Item Code	Specification	Cabinet Width
	D x W x H	W
E007-SUS316-500	280 x 465 x 565	500
E007-SUS316-600	280 x 565 x 565	600
E007-SUS316-700	280 x 665 x 565	700
E007-SUS316-800	280 x 765 x 565	800
E007-SUS316-900	280 x 865 x 565	900
E007-SUS316-1000	280 x 965 x 565	1000

**3. Installation Diagram:**



Size "A" & "B" are based on your inner cabinet height.  
 The following size are for your reference only:  
 A = 275mm, B = 300mm

Depth of 4-Ø10 hole is 7~9mm, please be careful not to drill through the cabinet board.

Shop Now at [excelhw.com.sg](http://excelhw.com.sg)  
 A Singapore Brand

10 Admiralty Street, Northlink Building #03-35/51/52/34