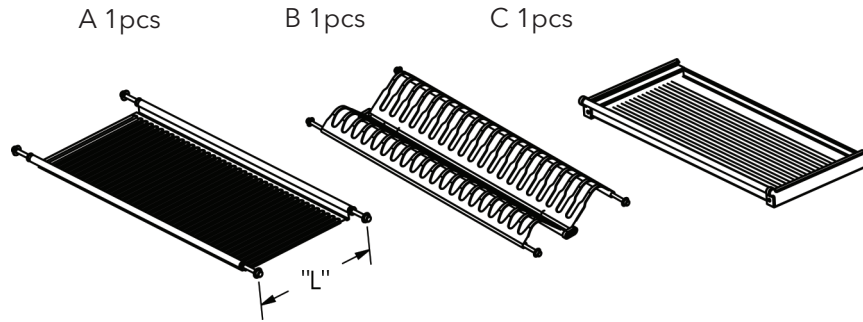
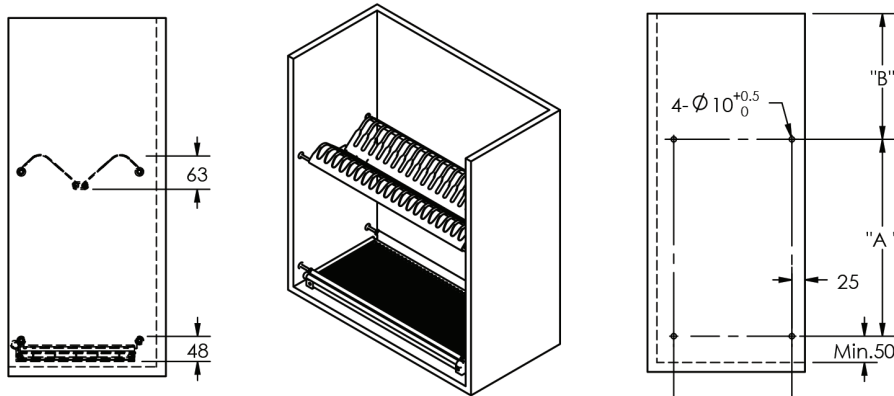


1. Accessories



(2) Drill the side-board of the cabinet then fix accessory "A","B" one by one as the following drawing.



2. Specification & Cabinet Width:

(3) Remarks:

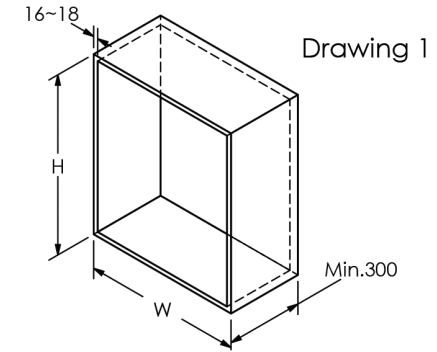
a, Size "A" & Size "B" are based on high of cabinet. The following size are for your reference:

A=275mm, B=300mm (Both Size for reference only)

b, Depth of 4-Ø10 hold is 7~9mm, please be careful that the side-board of cabinet not to be drilled through.

3. Fixing Step:

(1) Choose a suitable cabinet according the specifaion of particular products (Please refer to drawing 1)



Specification	Cabinet Width
D x W x H	W
280x565x65mm	600mm
280x665x65mm	700mm
280x765x65mm	800mm
280x865x65mm	900mm



Shop Now at excelhw.com.sg

A Singapore Brand

10 Admiralty Street, Northlink Building #03-52/51/34/35 S 757695