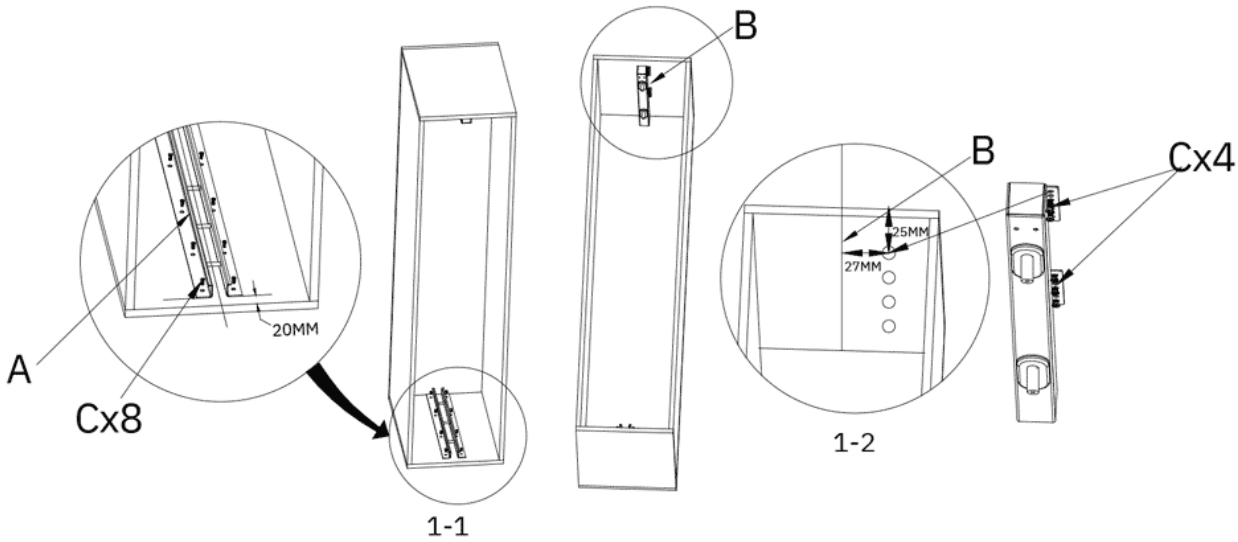


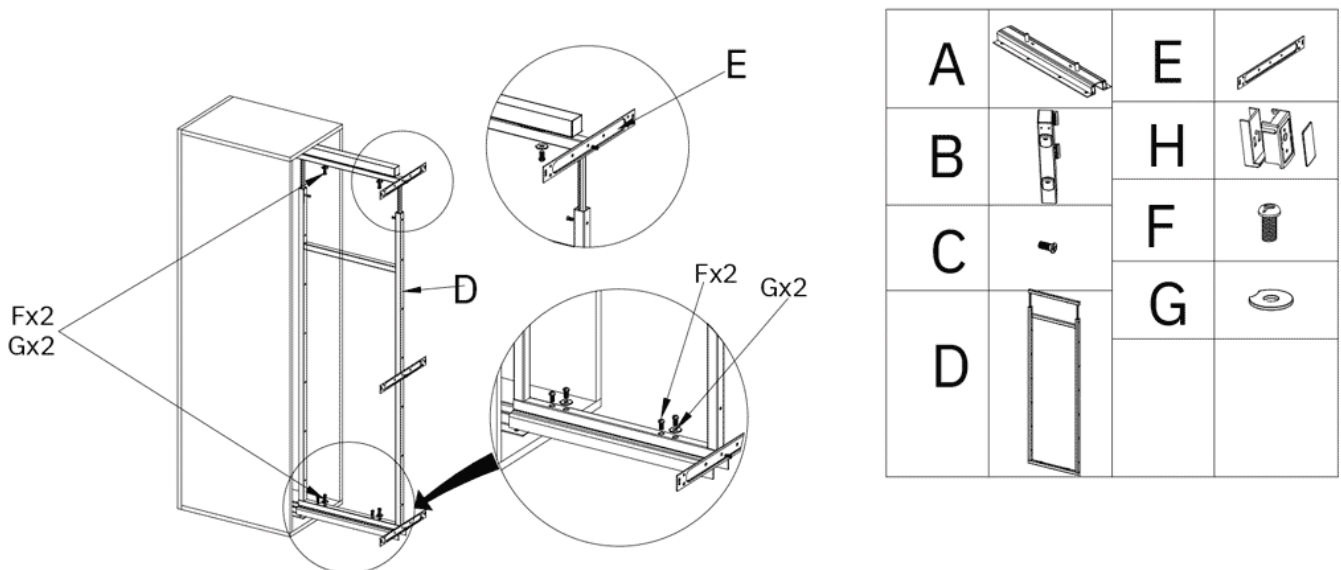
E005S

EXCEL TALL UNIT WITH 5BASKET W/SOFT CLOSING SLIDES

- 1 The first step is to identify the middle line of cabinet floor and cabinet ceiling. According to graph 1-1, the bottom fastened accessory (A) must be fixed in the middle line of cabinet floor and the gap between the accessory and the edge of the cabinet floor must be 20mm. As shown in the graph 1-2, the upper slide (B) should be right above the bottom fastened accessory (A), which means the screwing point of fixed flap (B) should be 27mm right away from the middle line and the gap between C and the edge of the cabinet ceiling must be 25mm.

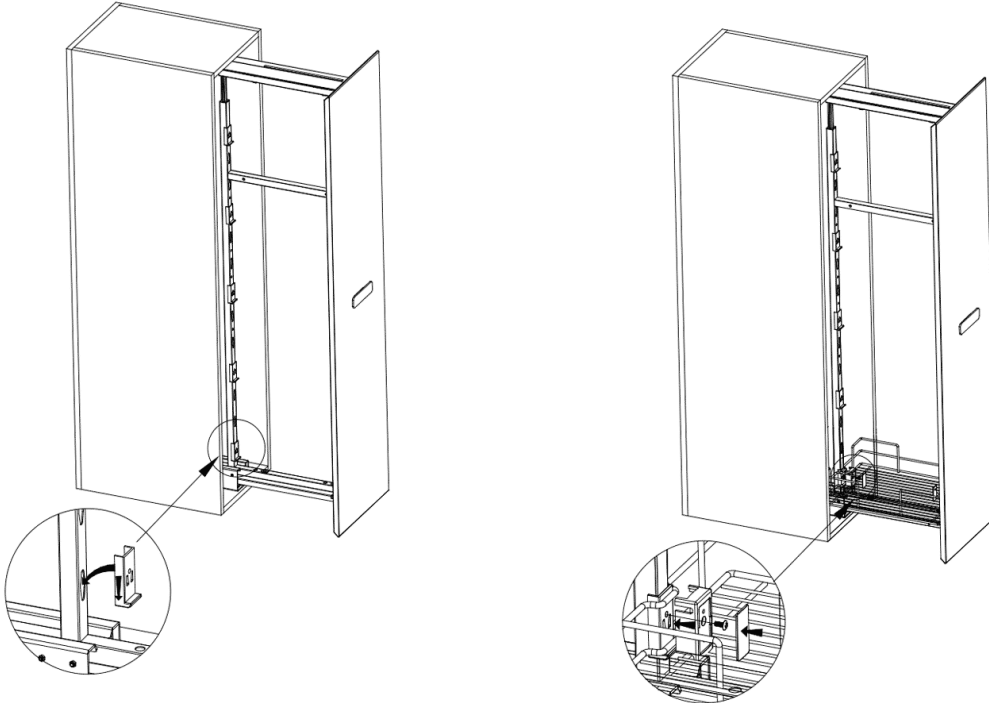


- 2 Please put on the main body frame (D) and fix screws respectively, then fitted with three rectangle accessories (E).



3

When you place the basket, please do it in a titled way. It'd better to place one side first, then press the other side.



4

The graph shows the finished condition, and to ensure that the baskets are well installed, please press the edge of baskets to make sure that the edges are attached to the plastics fixed point (H).

