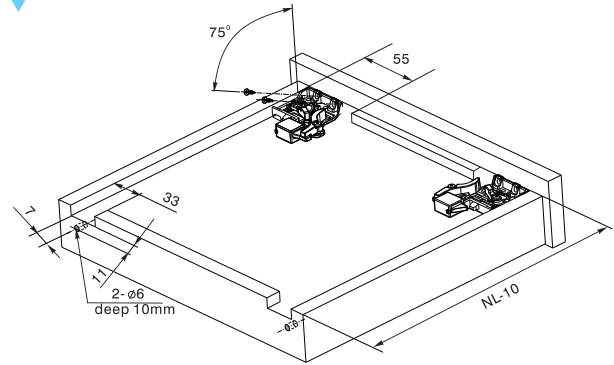
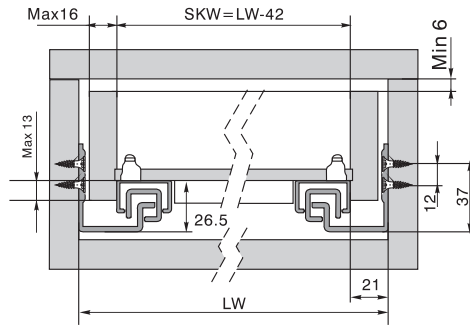


Load Capacity: 25KG

Drawer size and boring (mm)

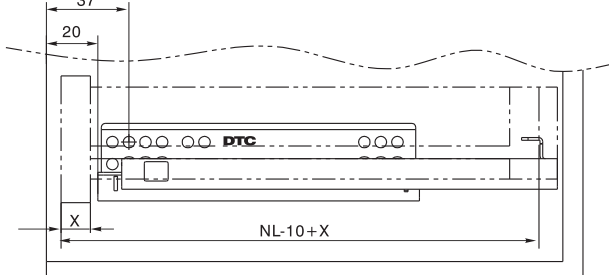
Installation for drawer with max 16mm thick drawer side

SKW = Internal Drawer Width LW = Internal Cabinet Width



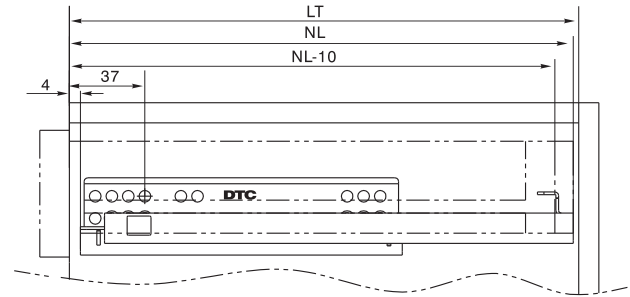
Installation Dimensions (mm)

NL = Nominal Slide Length LT = Internal cabinet Depth



Inner drawer

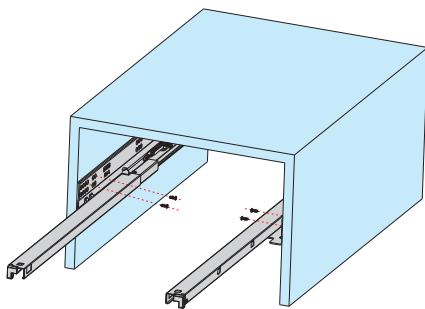
Inner drawer $LT_{min} = NL + 21$ Standard drawer $LT_{min} = NL + 3$



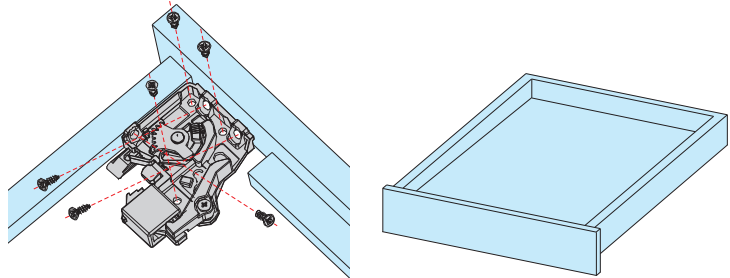
Standard drawer

Drawer assembly and Removal

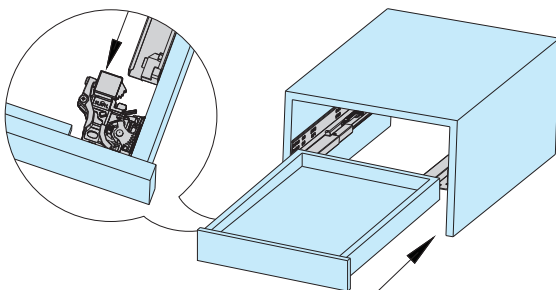
1. Fix the slide onto the cabinet.



2. Fix the locking device onto the drawer bottom.



3. Lay the drawer bottom onto the slide then push the drawer into the cabinet.



4. For removal, press and hold the handle and pull out the drawer.

