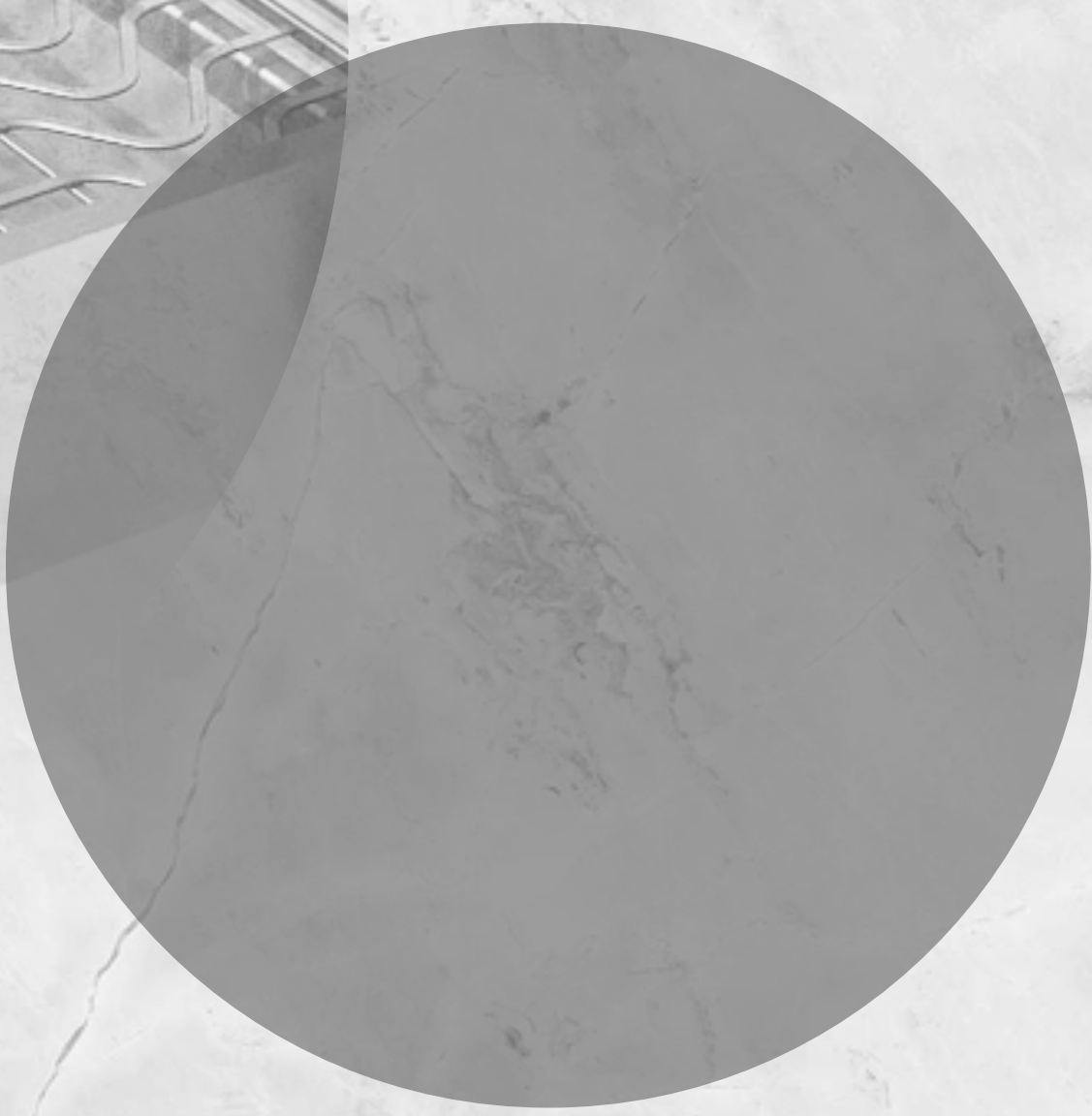

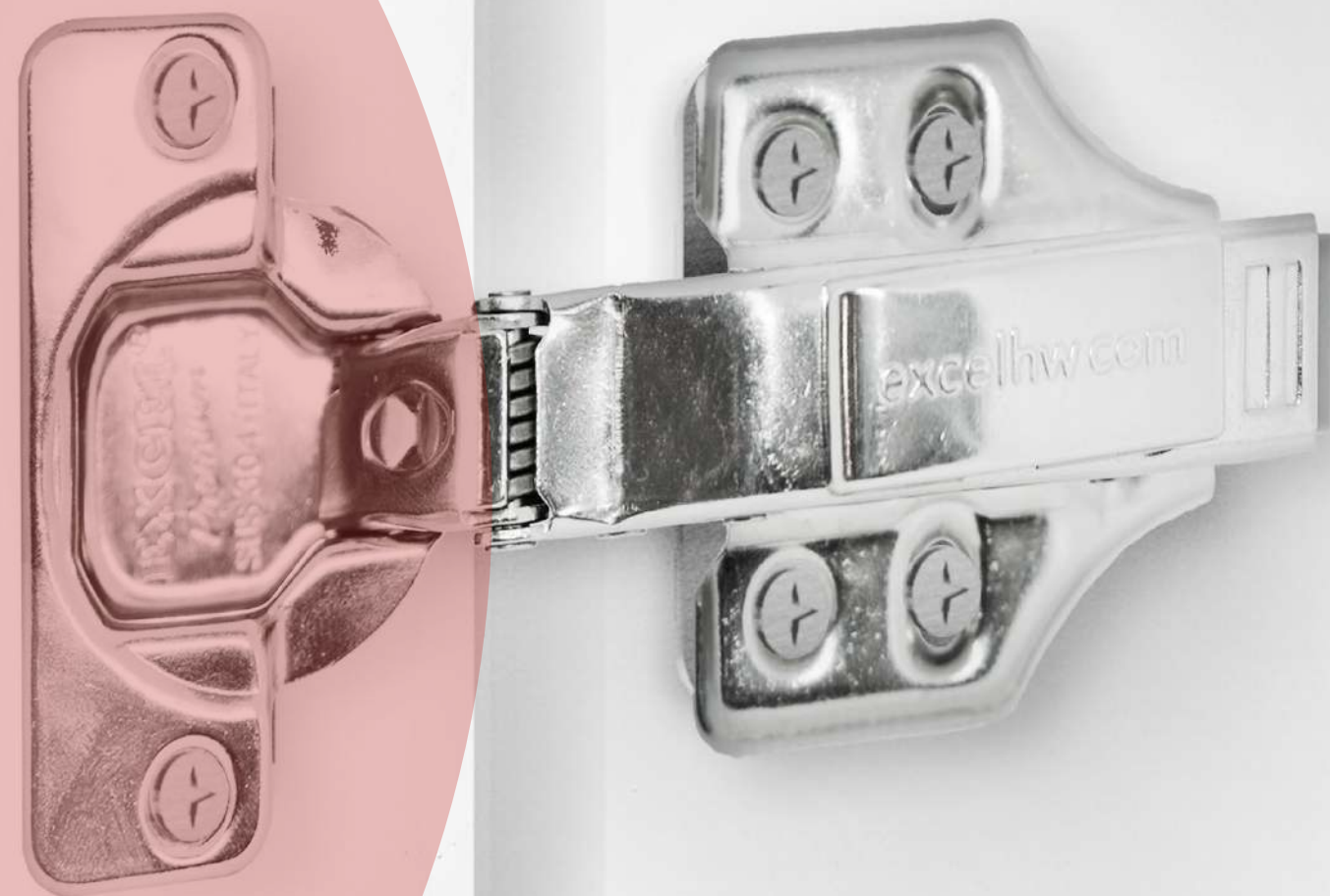


EXCEL[®] *Premium*
 excelhw.com.sg 

EXCEL

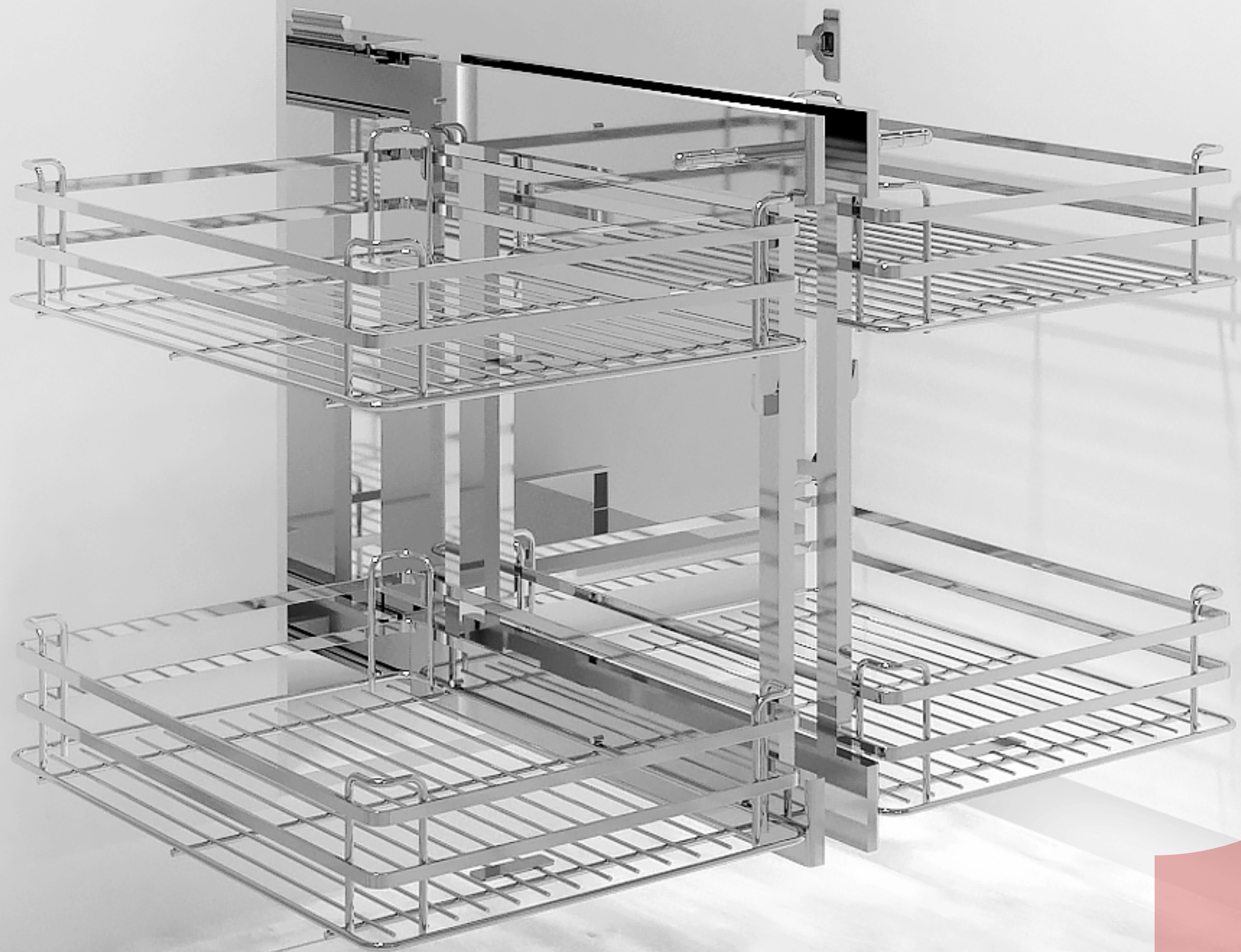


EXCEL[®] *Premium*
 excelhw.com.sg 



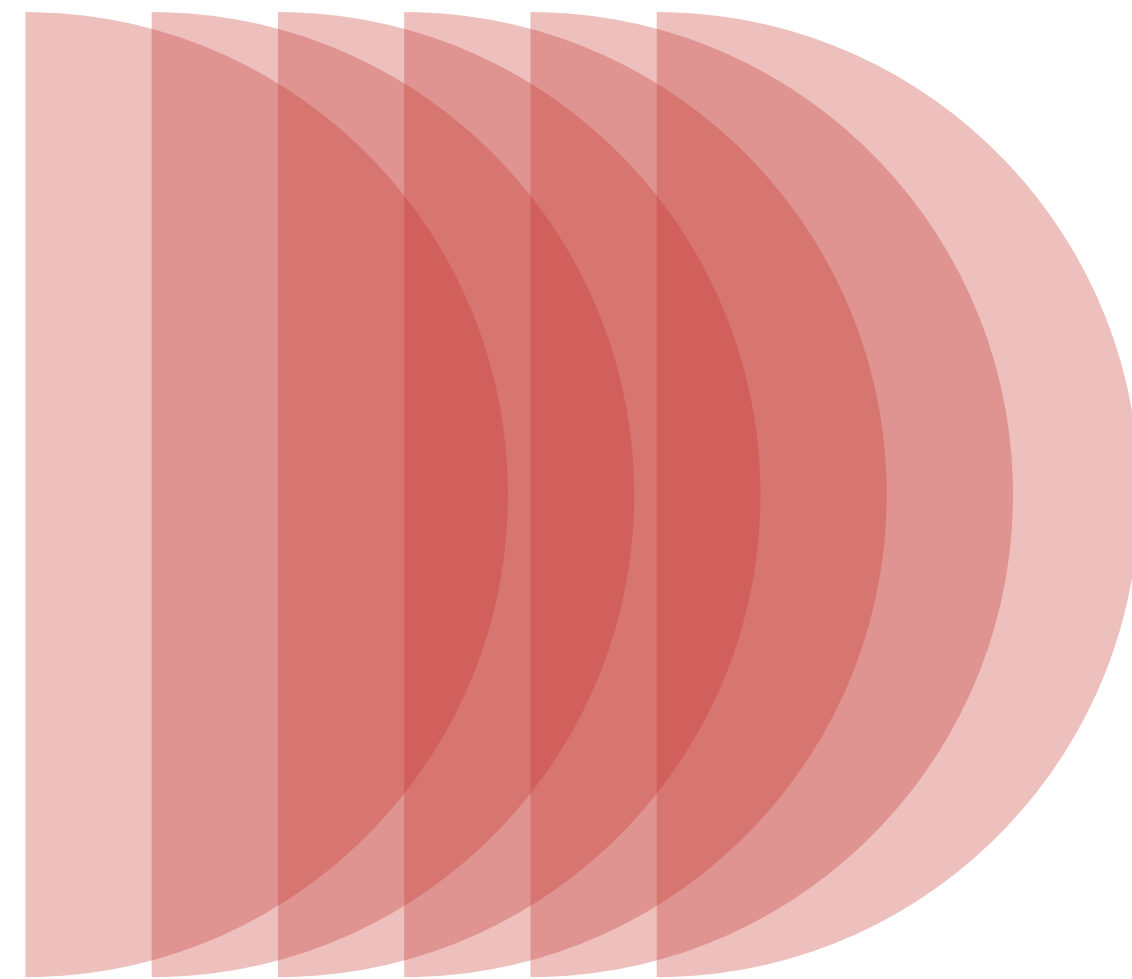
DURABLE, ROBUST, SPACE- OPTIMISED HARDWARE

PREMIUM GRADE ANTI-RUST, ANTI-CORROSION
SOFT CLOSING HINGE WITH LIFETIME WARRANTY



**Betrando
Italian Series
SUS304 Magic
Slimline Slabs
Pull Out System**

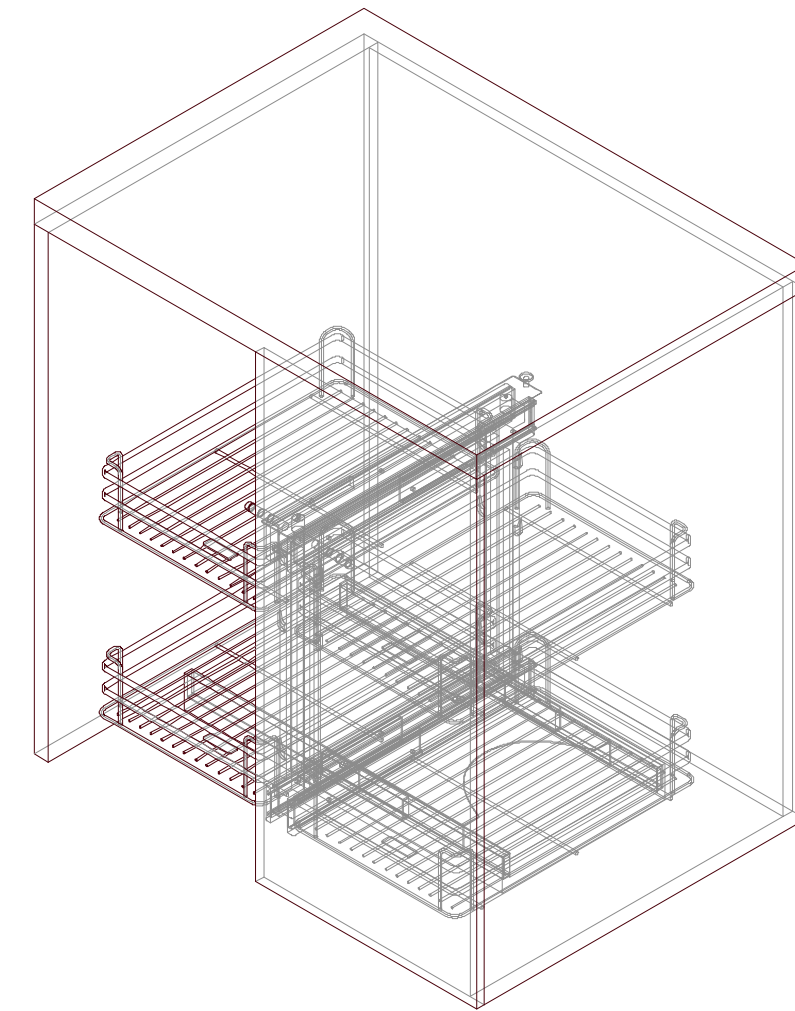
Designed exclusively for the awkward corners in an L-shaped kitchen to maximise space with minimum fuss. Pull out system is available in configurations compatible with both left and right opening cabinets.



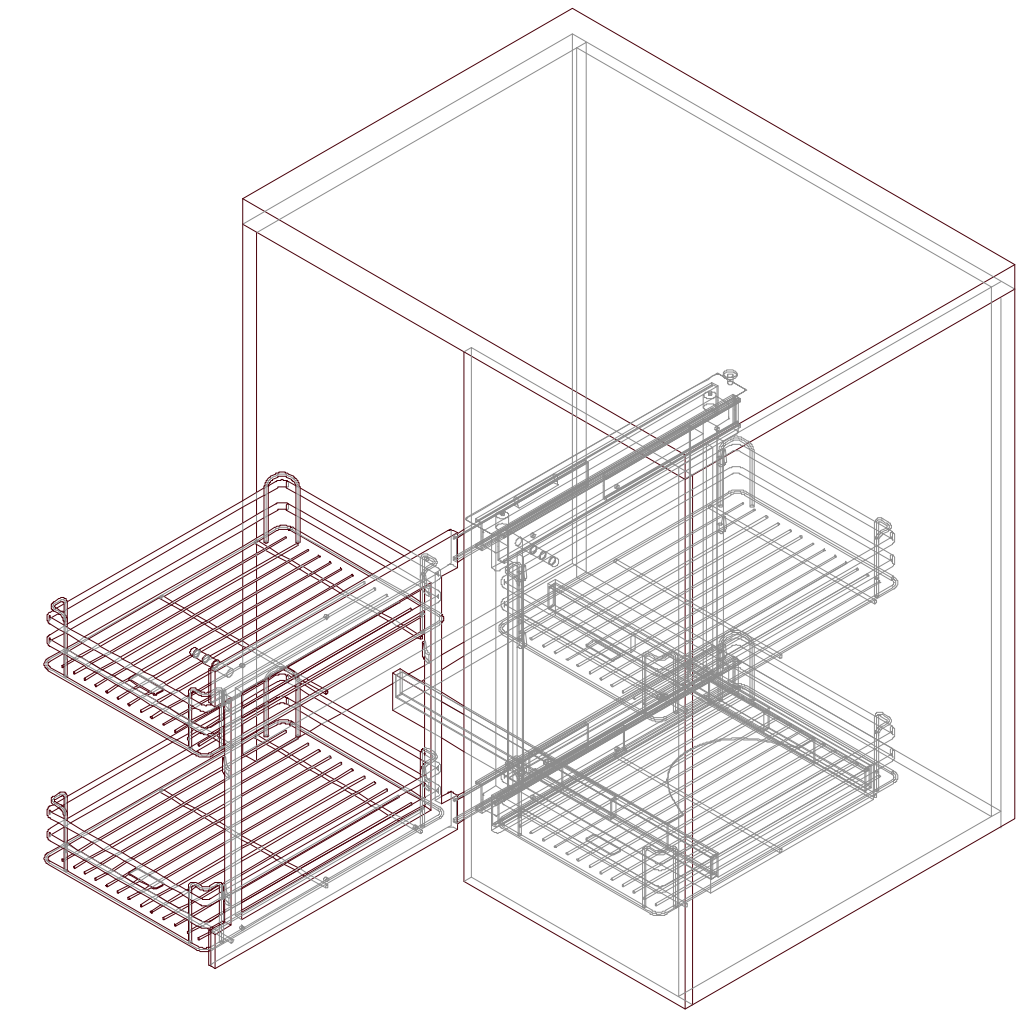
*Space maximisation up to 85%

Minimum door width: 450mm
Maximum loading: 5kg per basket
Finishing: Stainless steel
Cabinet interior dimensions:
>H700-900mm
>W700mm
>D520mm

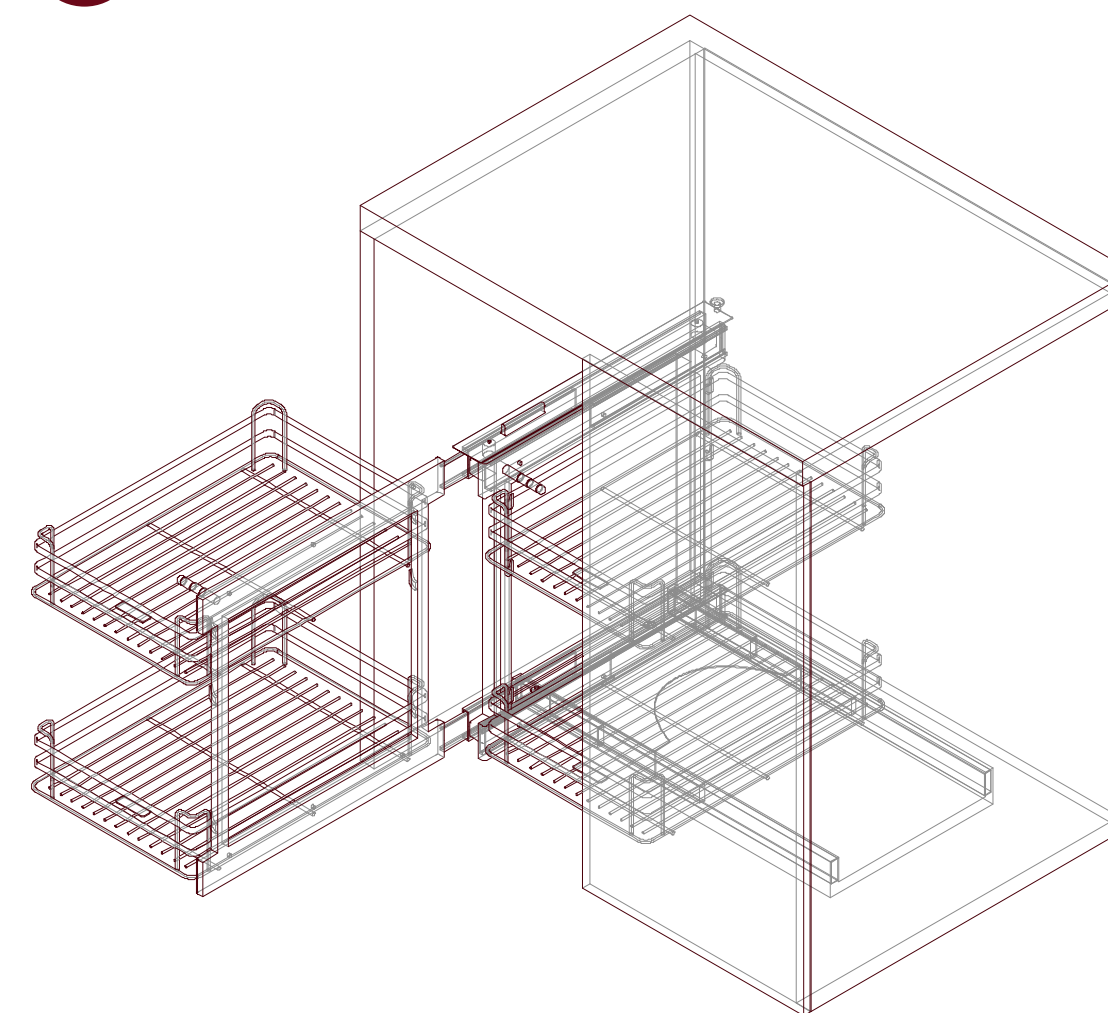
1



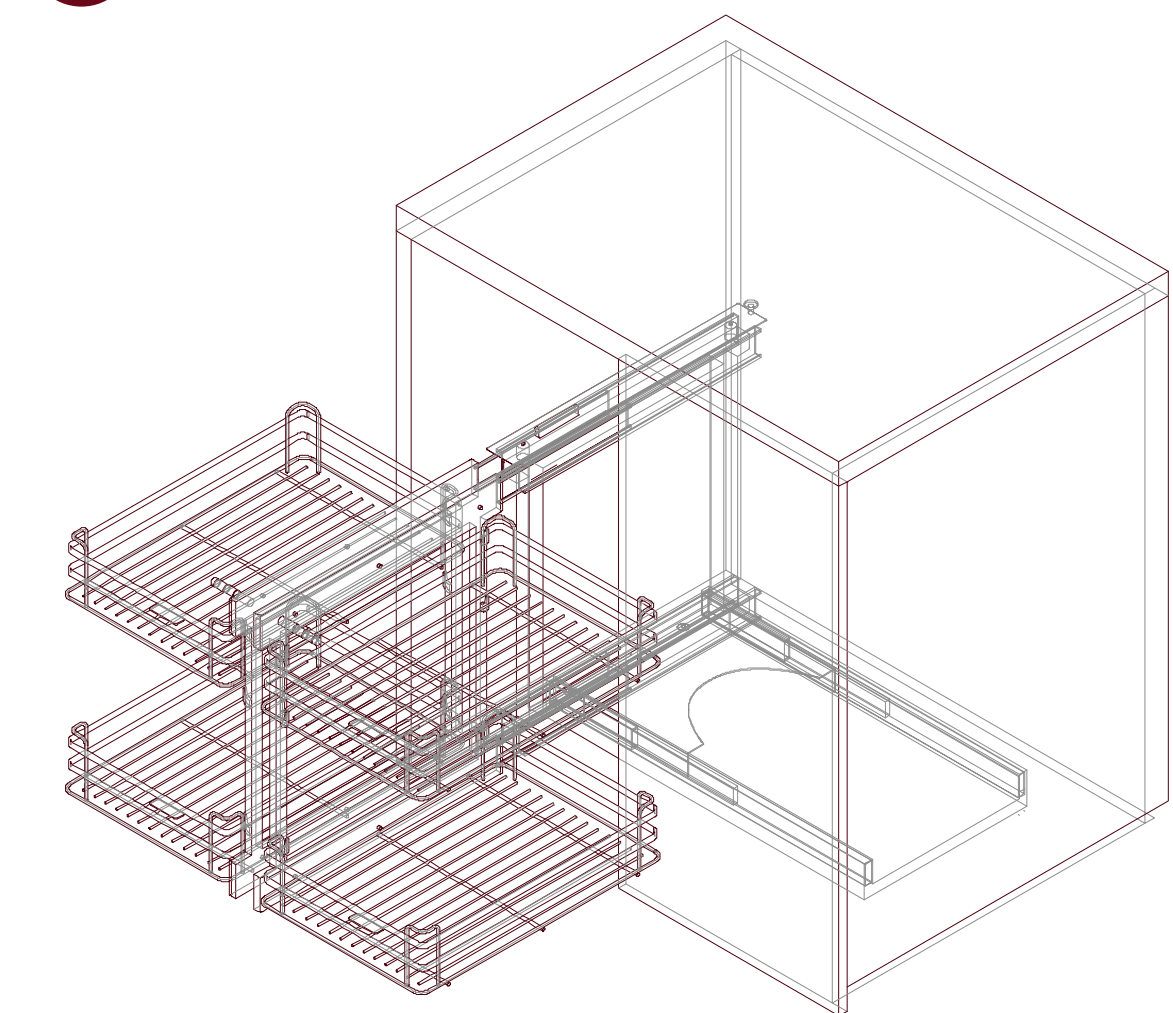
2



3



4

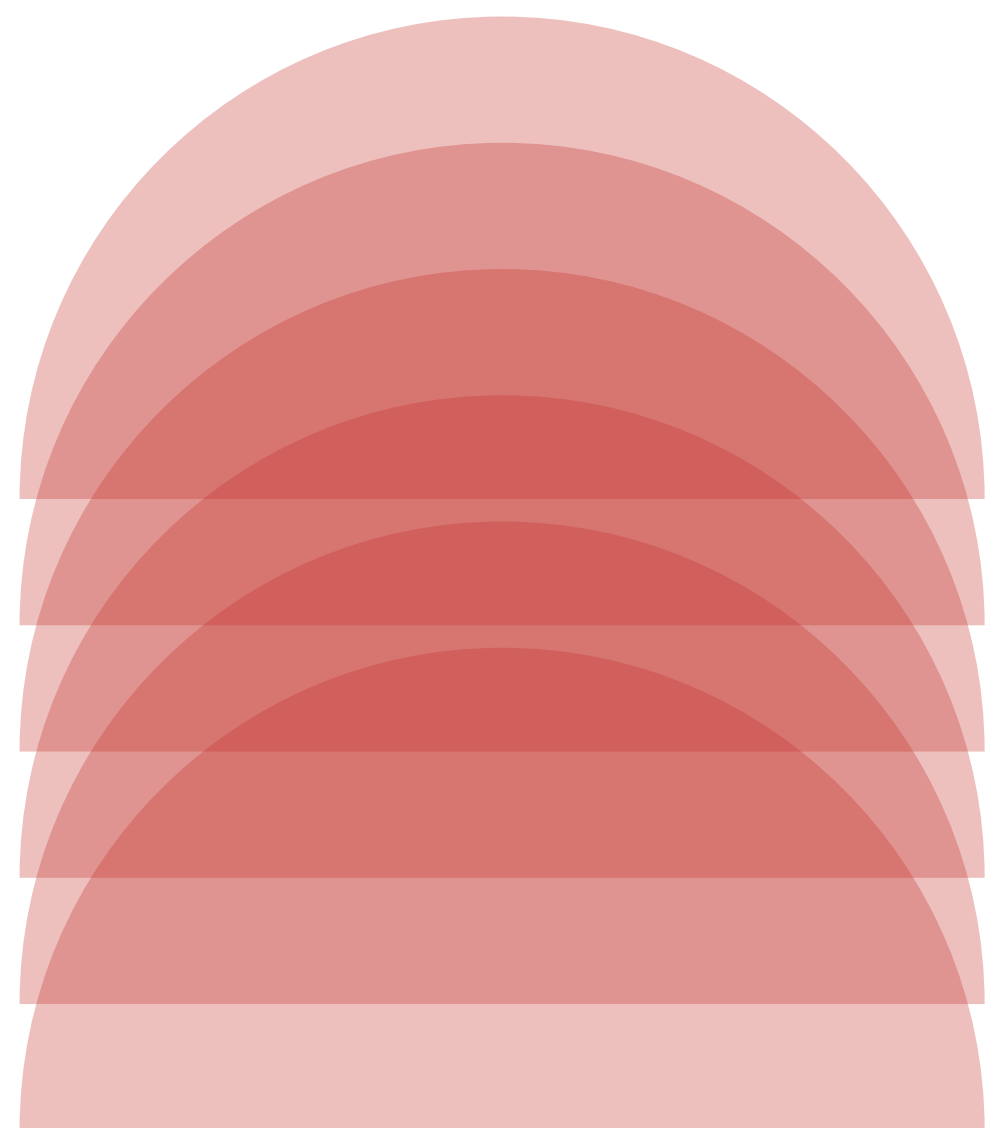




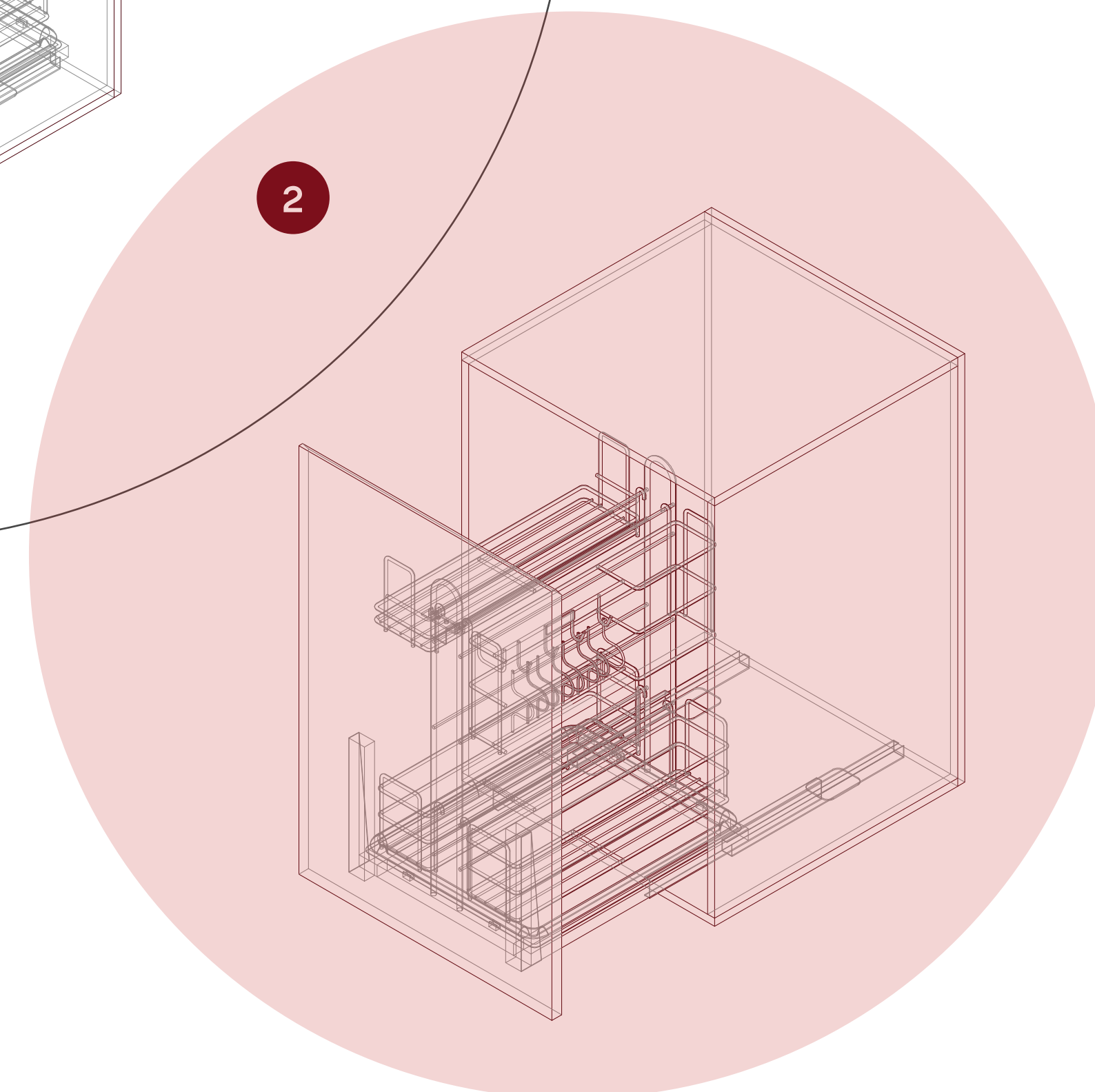
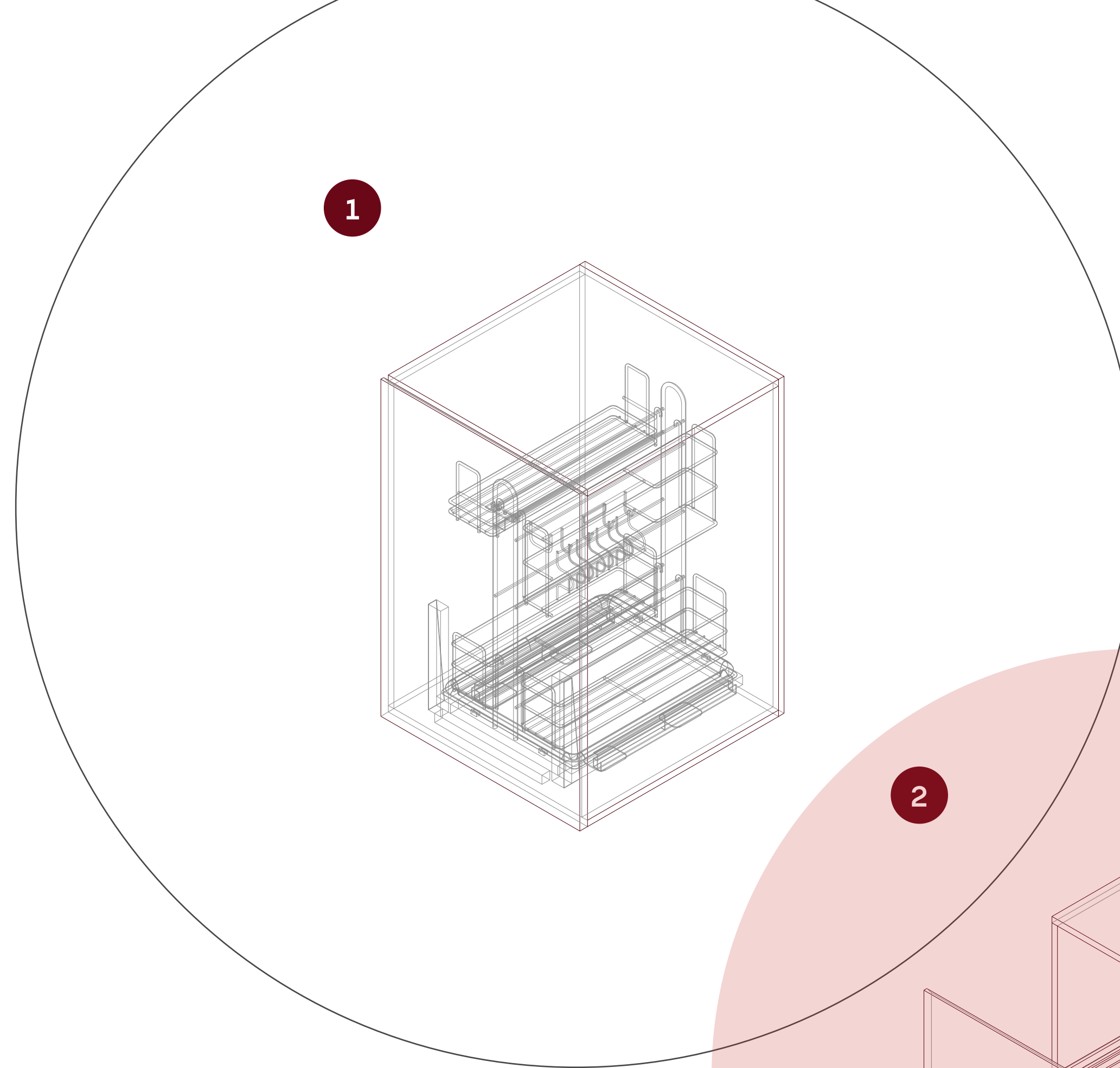
**Fiorella SUS304
Permutation
Multipurpose Slimline
Slabs Pull Out
Kitchenware Basket**

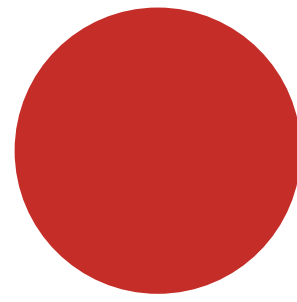
**Designed for easy access
to food preparation
and/or cooking needs**

Measurement: D440 x W340 x H550
Finishing: Stainless steel



*Space maximisation up to 90%

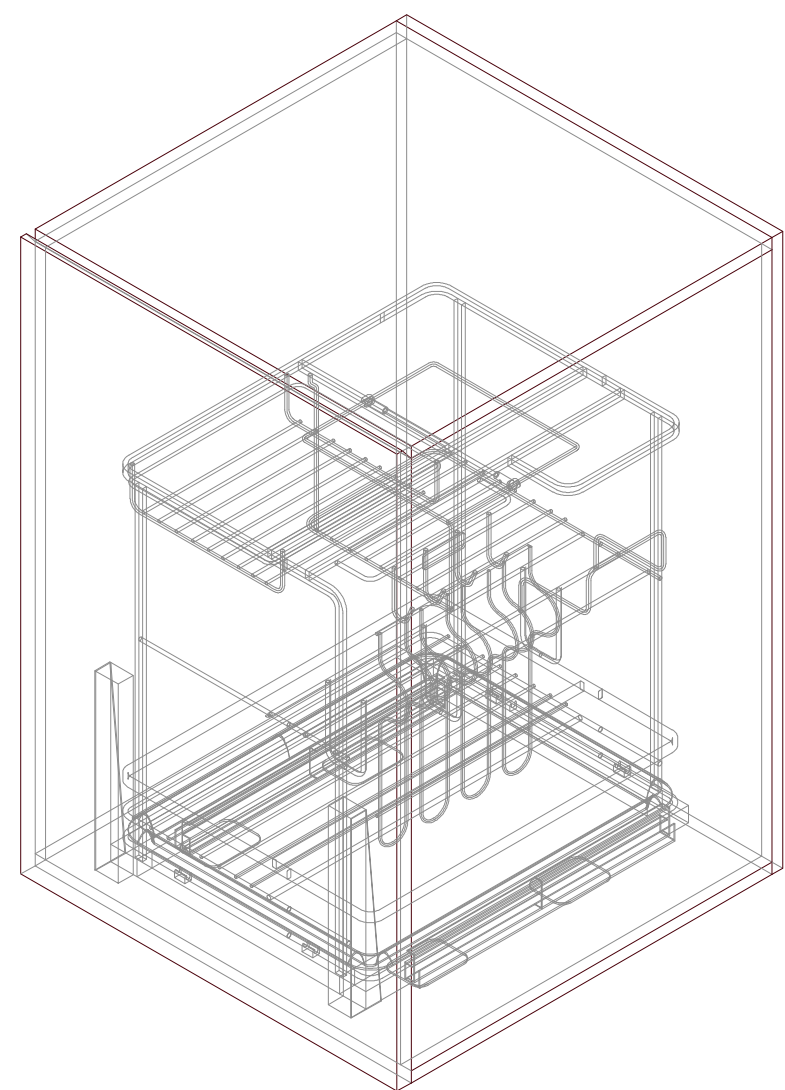




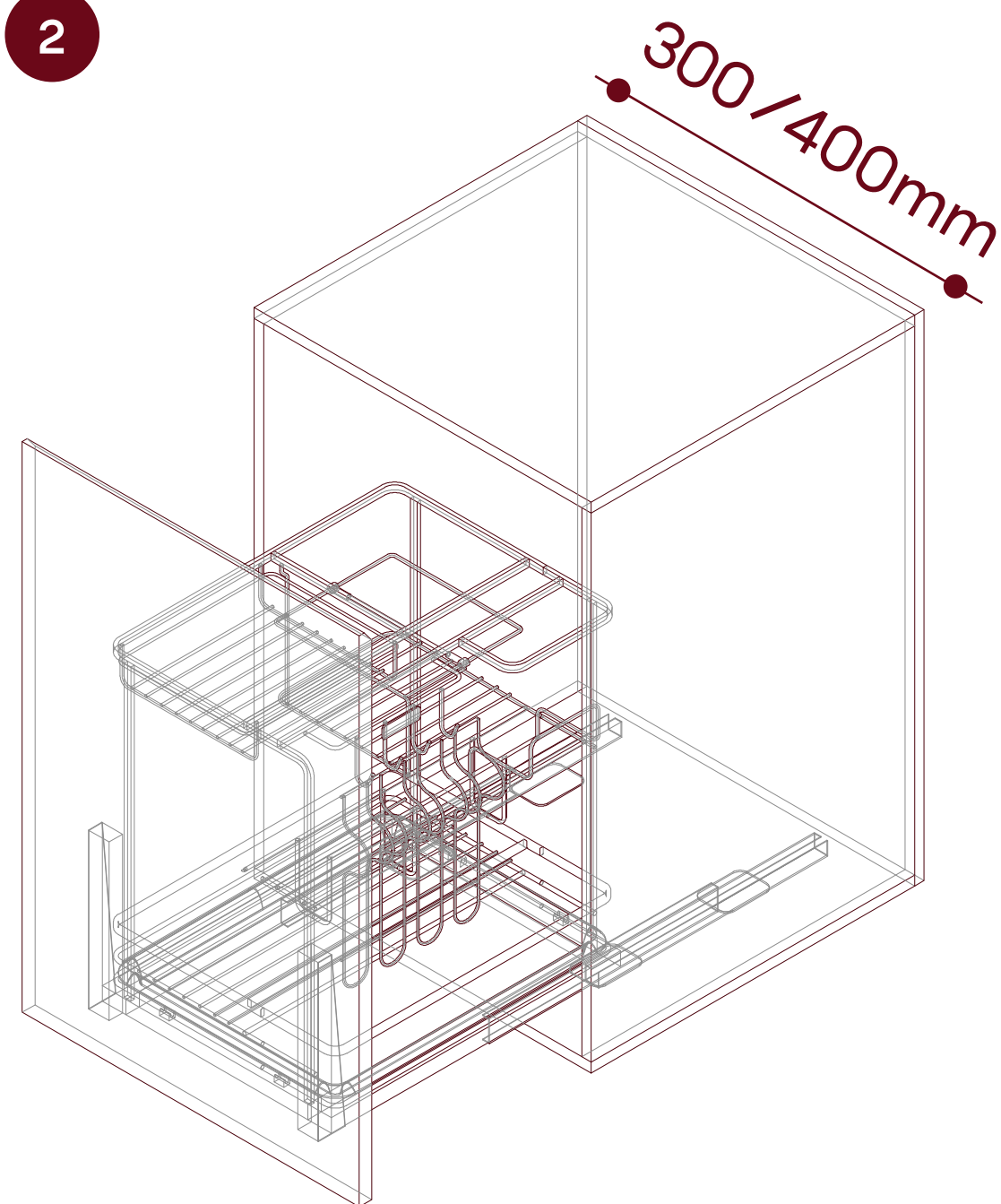
**Panfilo
Italian Series
SUS304
Multipurpose
Slimline Slabs
Pull Out**



1



2



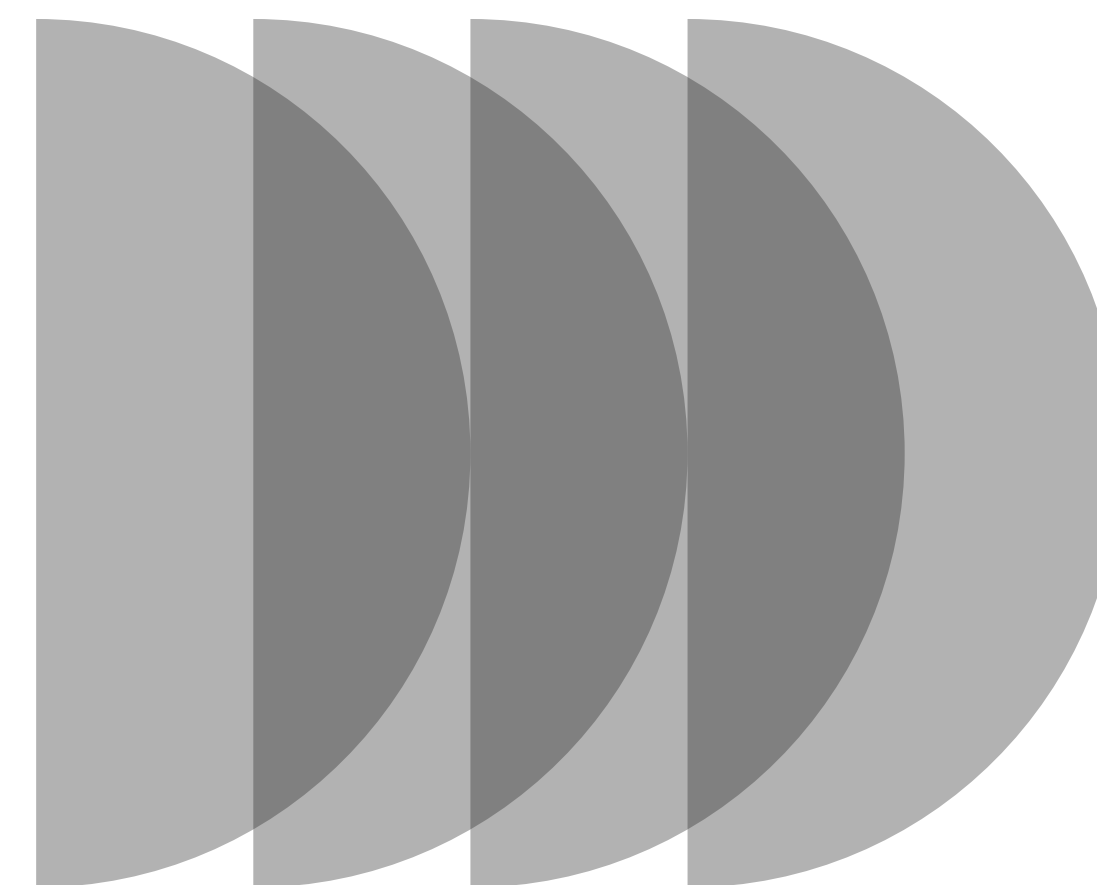
A versatile piece for storage of multiple kitchen utensils with elegance and ease

2 sizes

300mm: W236 x D430 x H455 (min. cabinet width 270mm)

400mm: W336 x D430 x H455 (min. cabinet width 370mm)

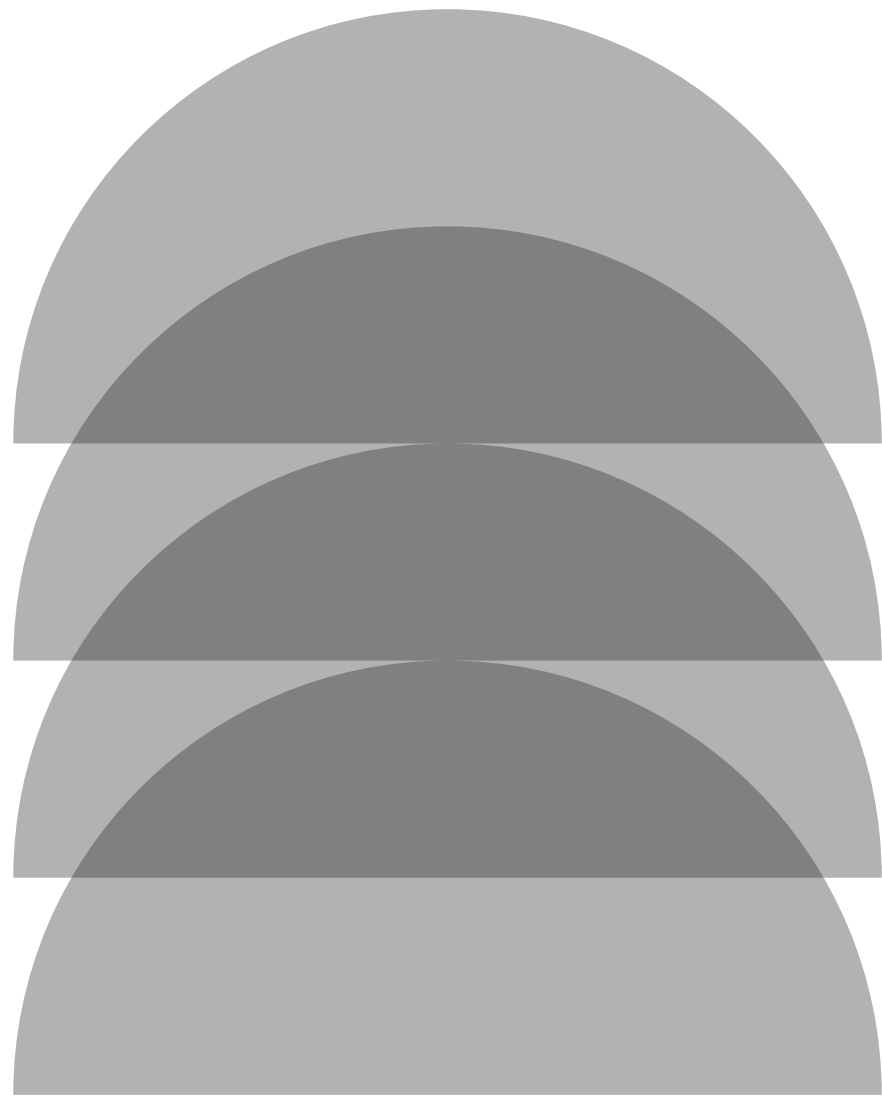
Finishing: Stainless steel



*Space maximisation up to 90%

**Rufino
Italian Series SUS304
2 Tier Multipurpose
Slimline Slabs Pull Out
Kitchenware Basket**





Streamline and stack sauce bottles and condiments with poise.

2 Sizes

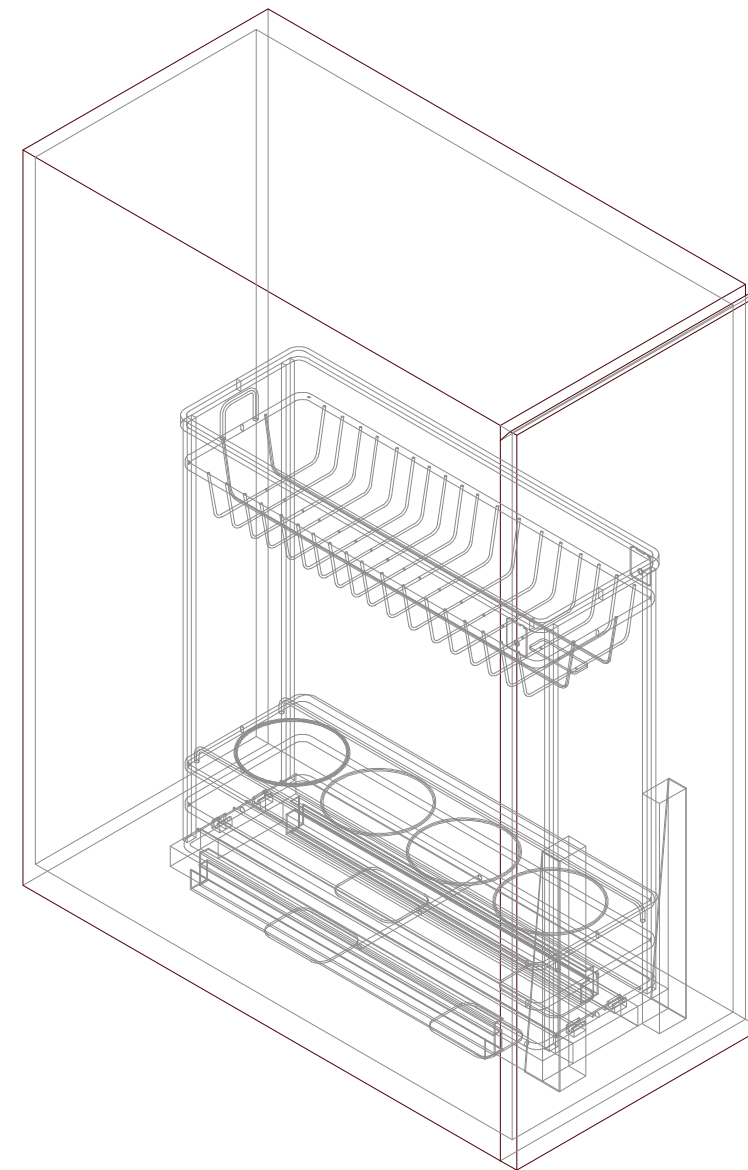
150mm: W95 x D425 x H480

200mm: W150 x D425 x H480

Finishing: Stainless steel

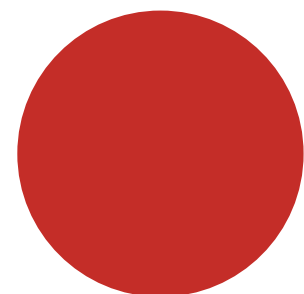
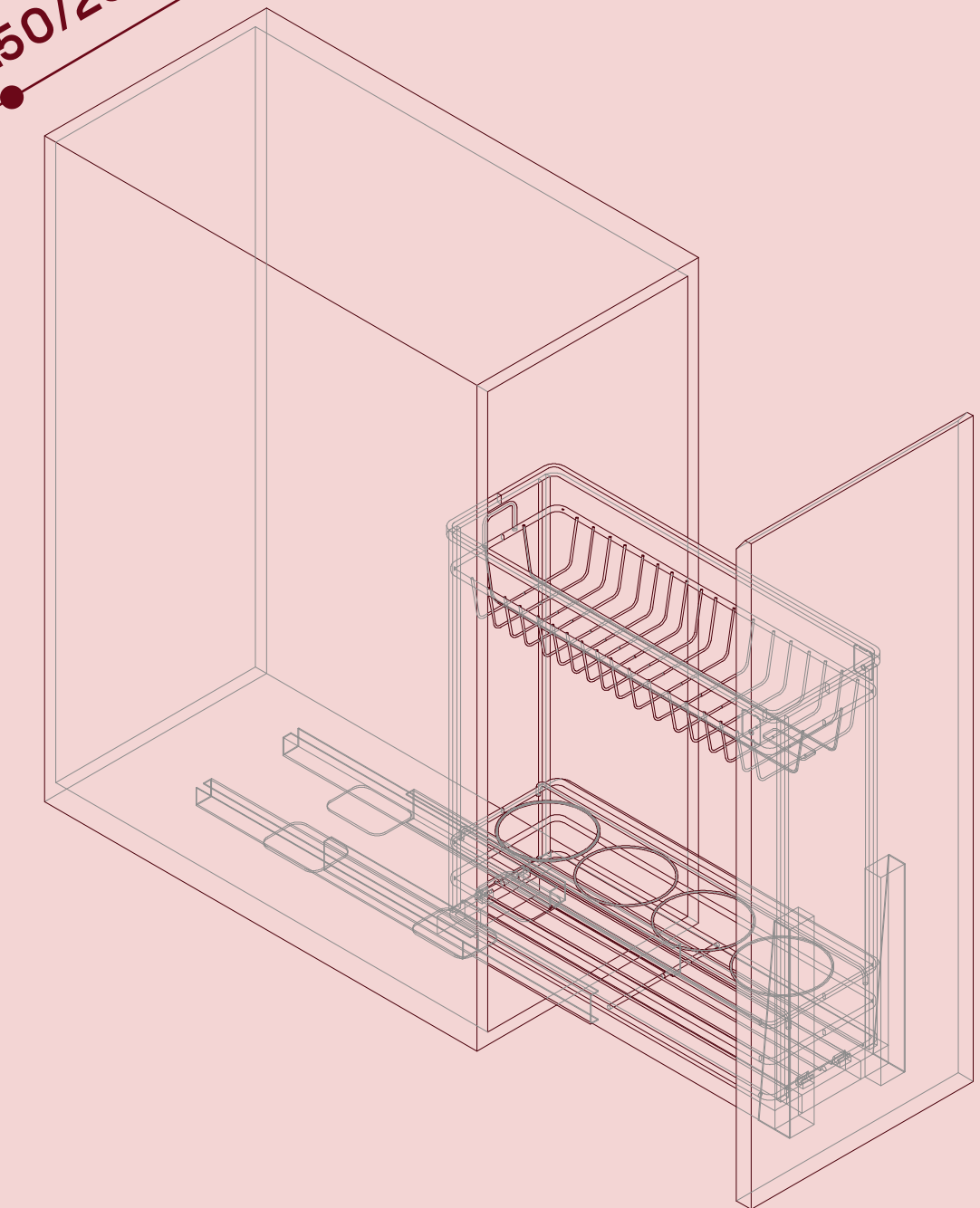
*Space maximisation up to 90%


1



2

150/200mm



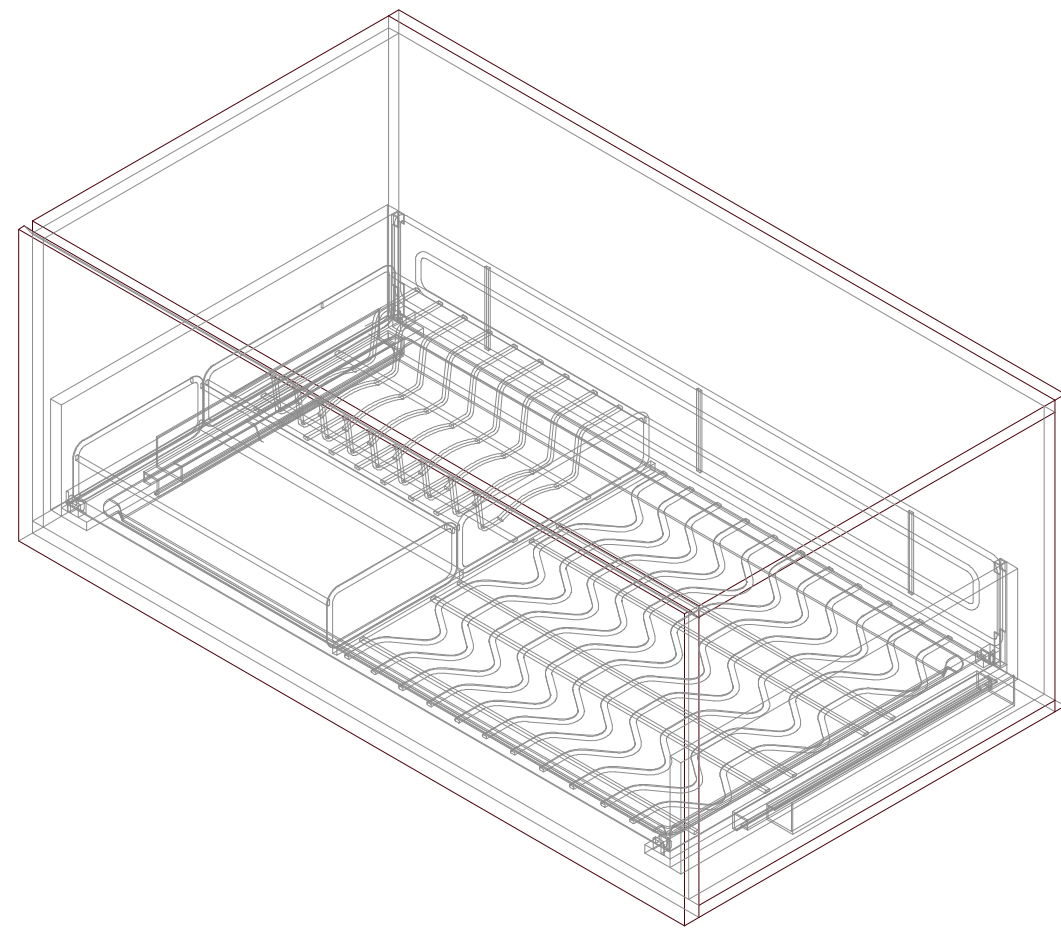


**Bene
Three-sided
Stainless Steel
Basket**

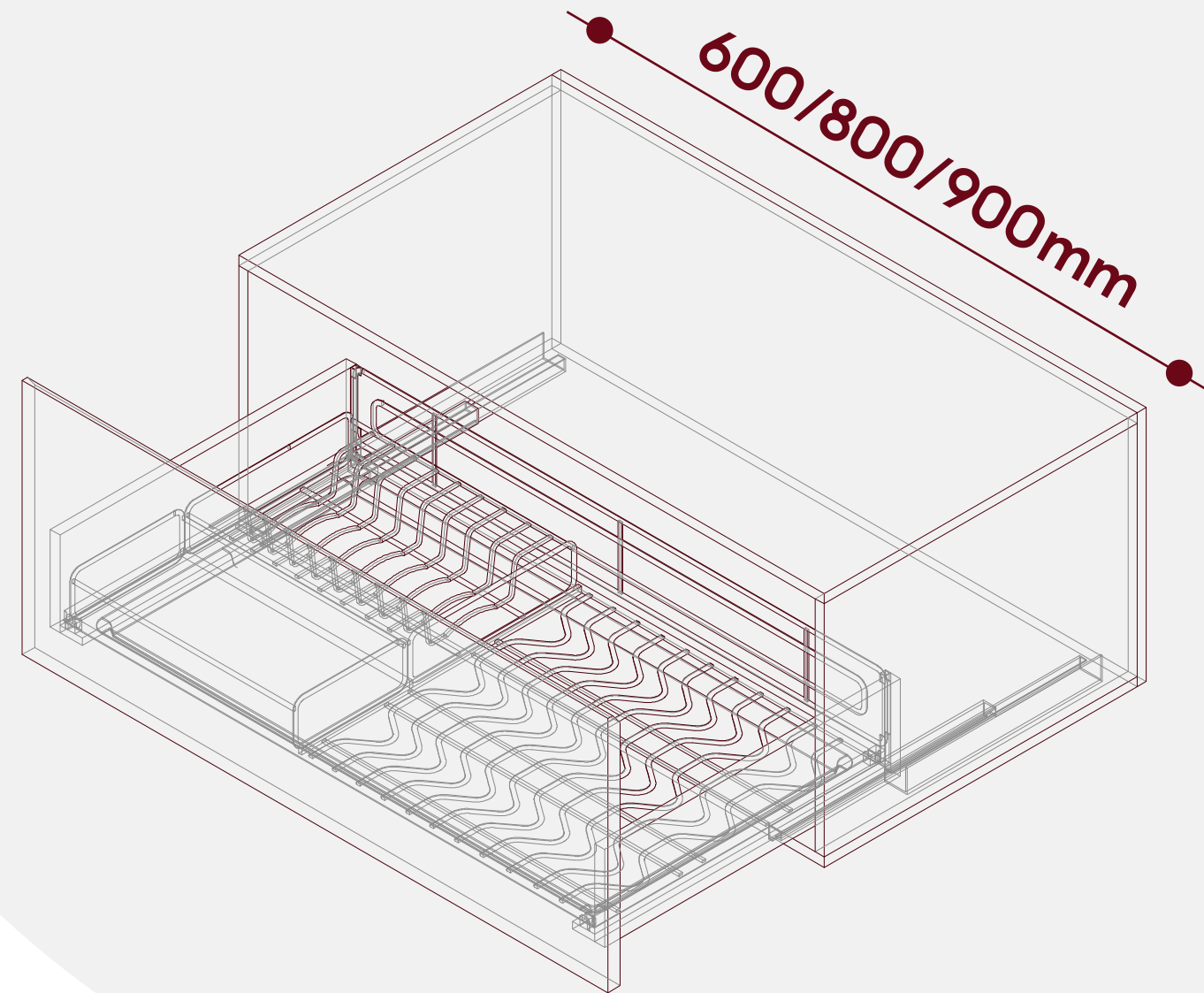


TOP

1



2



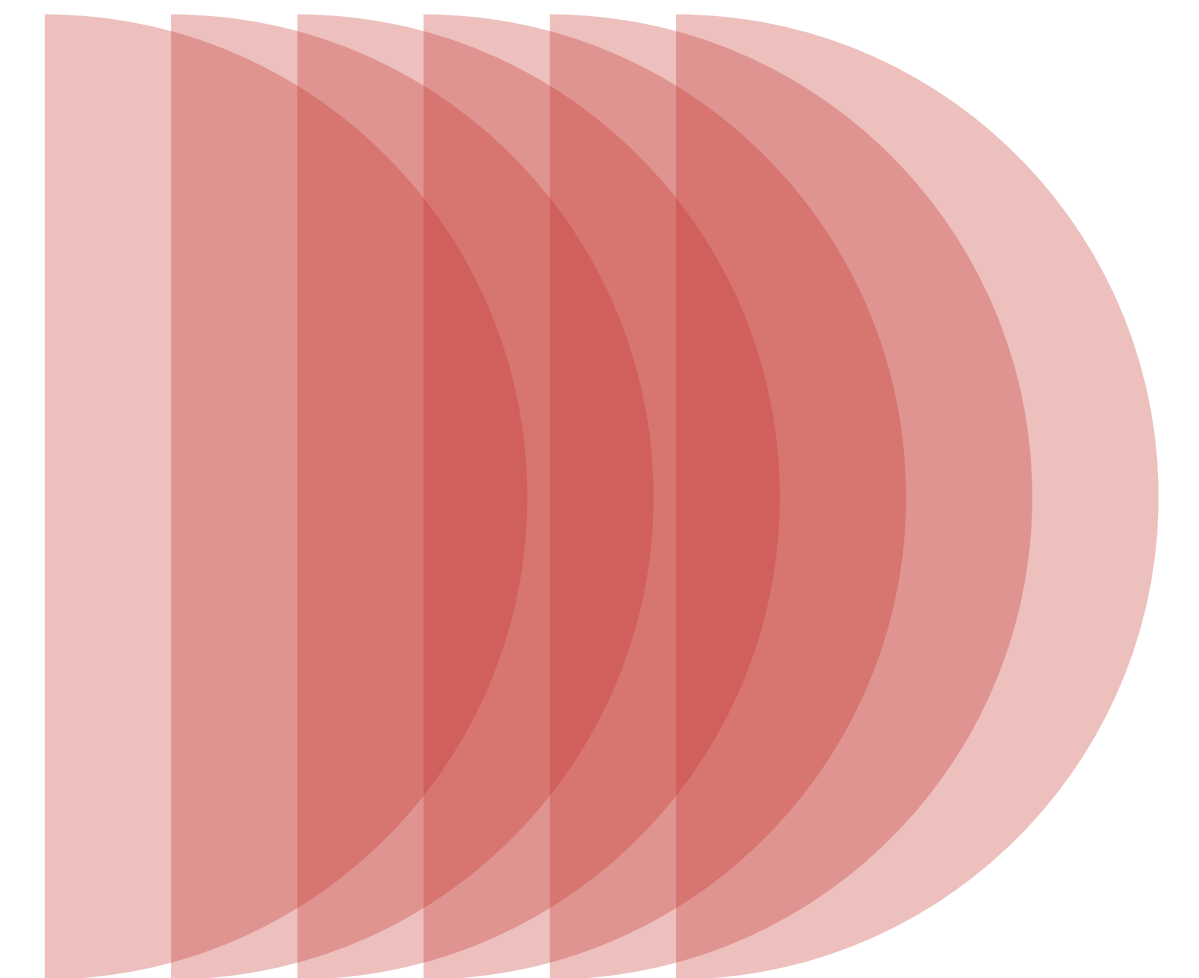
3 Sizes

600mm: W554 x D455 x H140

800mm: W754 x D455 x H140

900mm: W854 x D455 x H140

Finishing: Stainless steel



*Space maximisation up to 90%



**Unico
Three-sided
Stainless Steel
Basket**

The image shows a white, three-sided stainless steel basket pulled out from a kitchen cabinet. The basket has a wavy metal mesh bottom and a handle on the right side. A red curved arrow points from the text towards the basket. The background is a light-colored tiled floor.

Unico basket offers abundant space to accommodate kitchen utensils and other objects that occupy significant space.

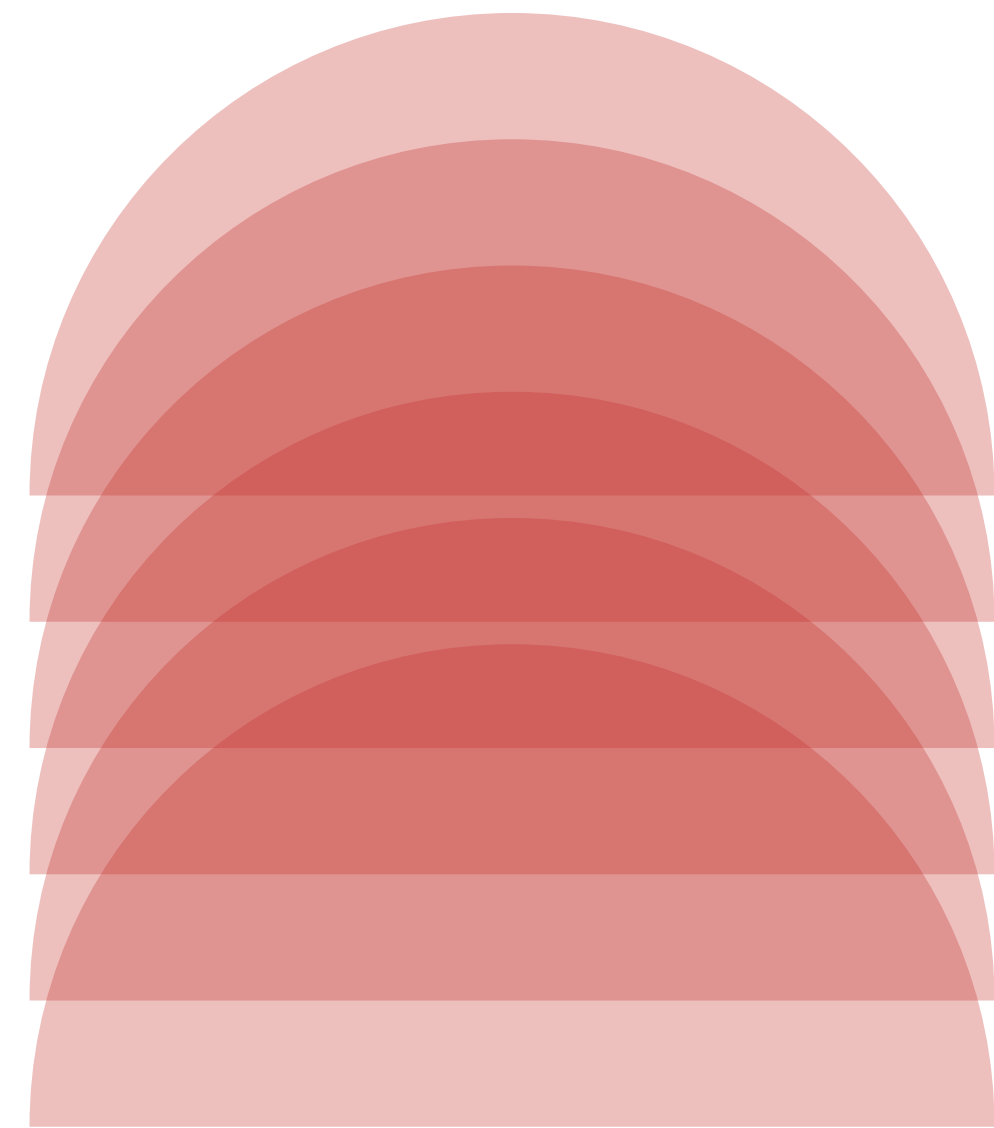
3 Sizes

600mm: W554 x D455 x H140

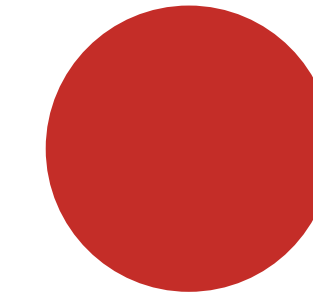
800mm: W754 x D455 x H140

900mm: W854 x D455 x H140

Finishing: Stainless steel

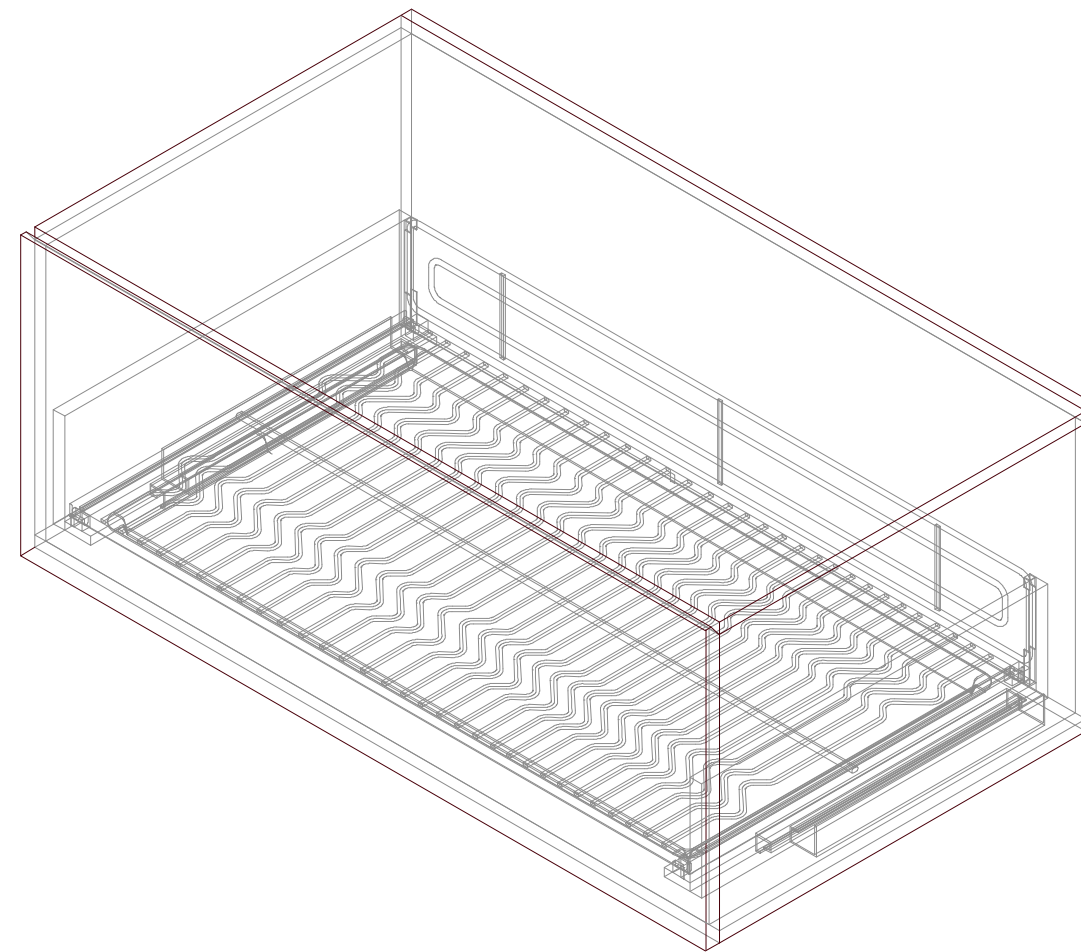


*Space maximisation up to 90%

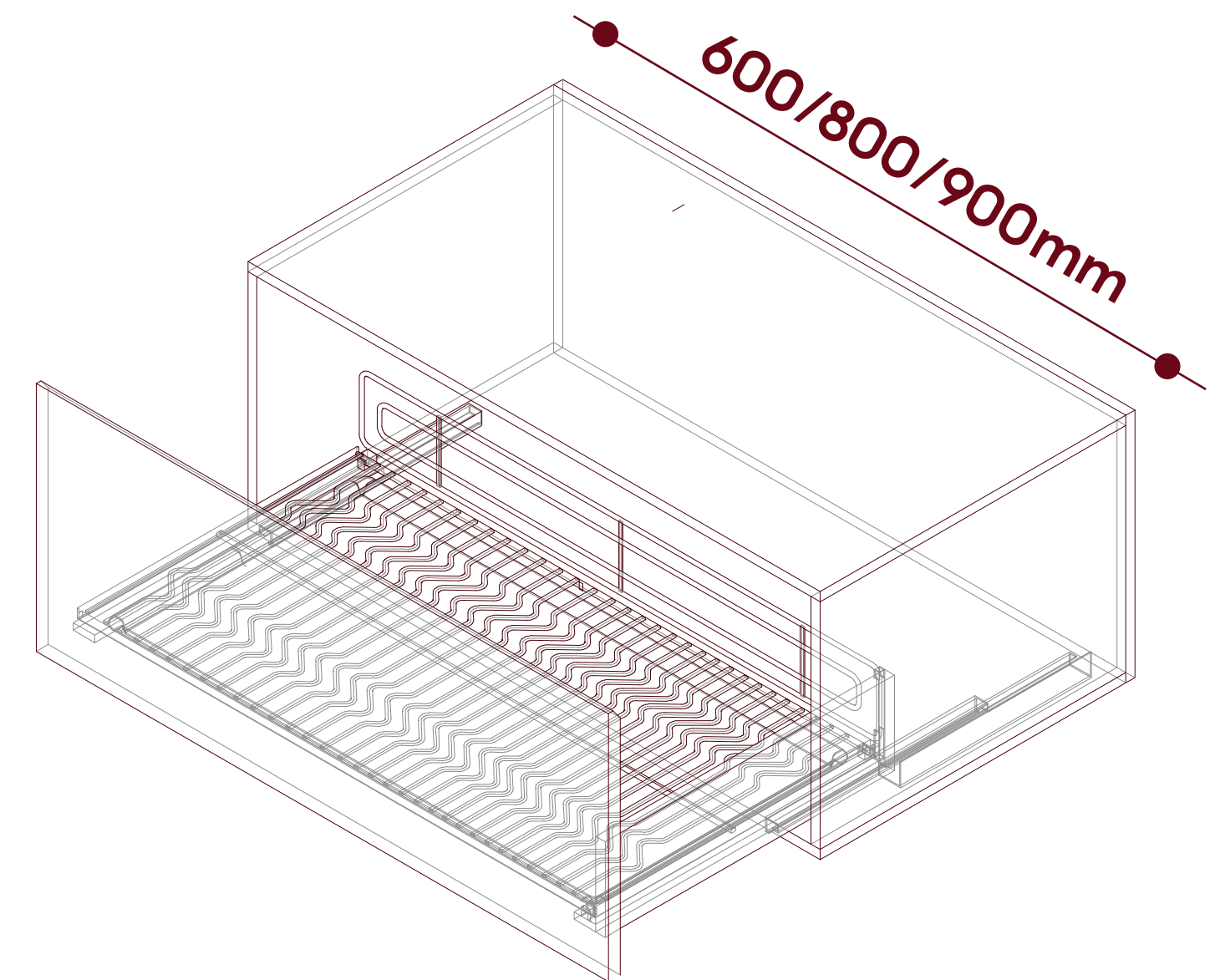


BOTTOM

1



2



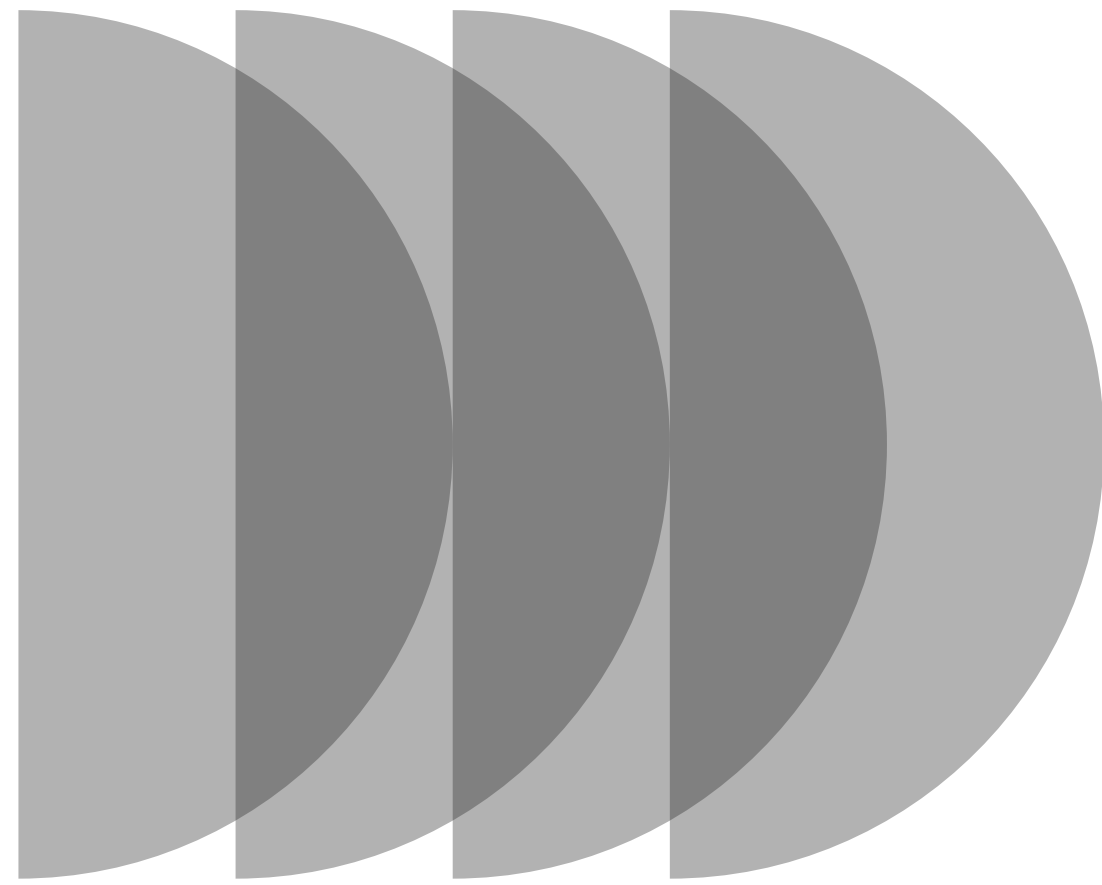
**SUS 316
Stainless Steel
Dish Tray +
Aluminium Die
Cast Connector**



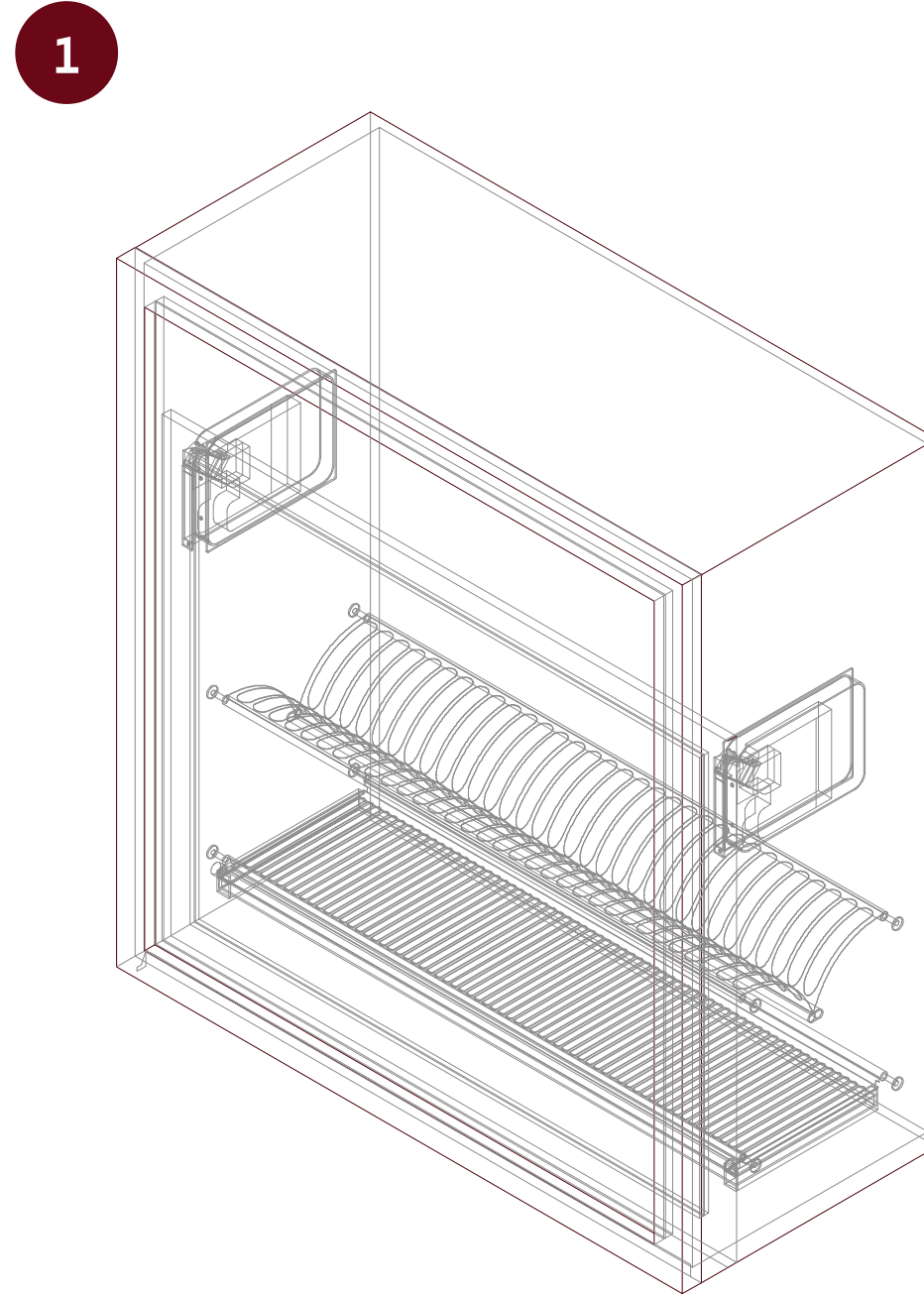
COSTANZO PNEUMATIC ARMS OPERATED DOORS

TOP STAY LIFT UP SYSTEM IN HEAVY DUTY
AND MEDIUM DUTY VARIANTS





*Better ventilation



1

A valuable functional addition that serves to streamline management of kitchen items.

3 Sizes

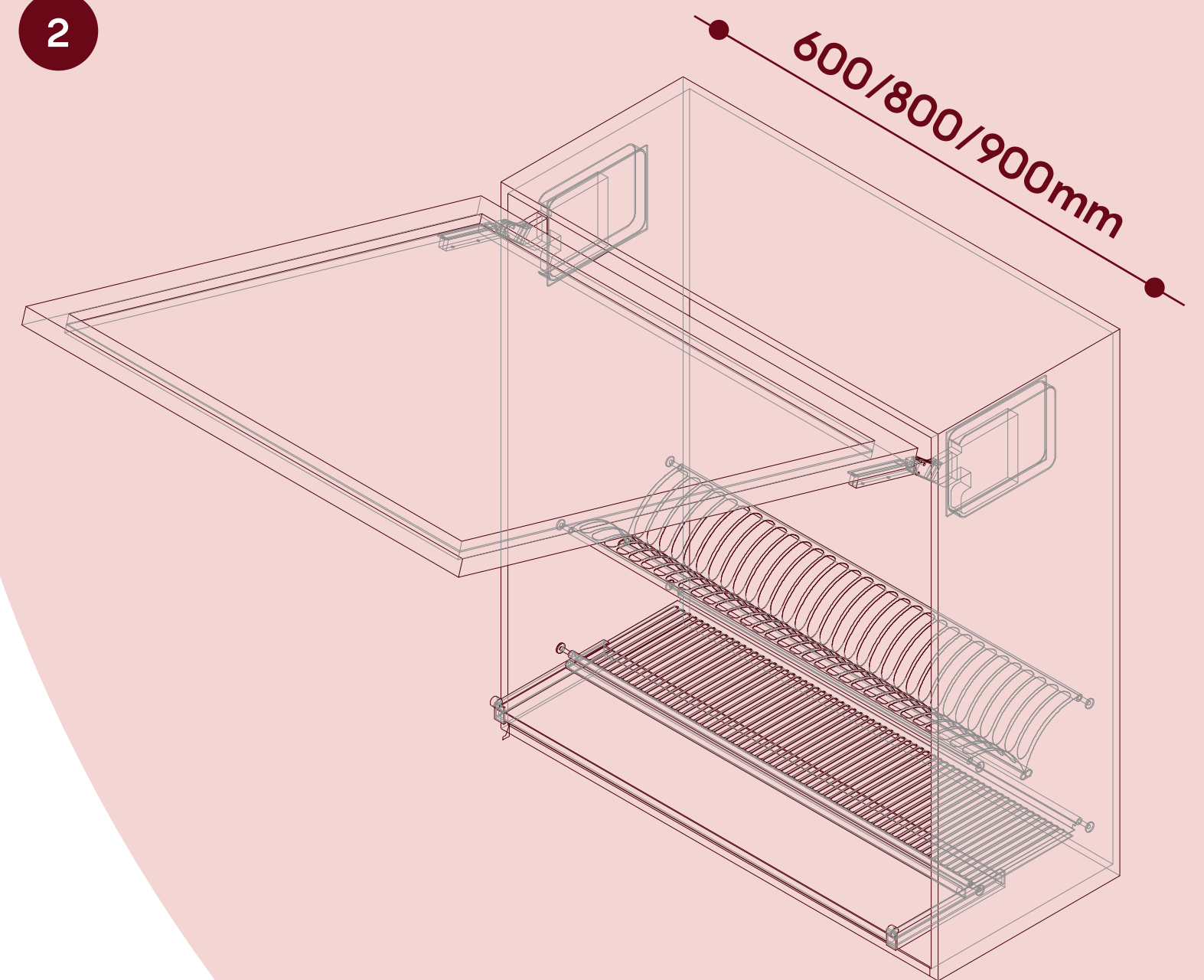
600mm: W565 x D280

800mm: W765 x D280

900mm: W865 x D280

Finishing: Stainless steel

2

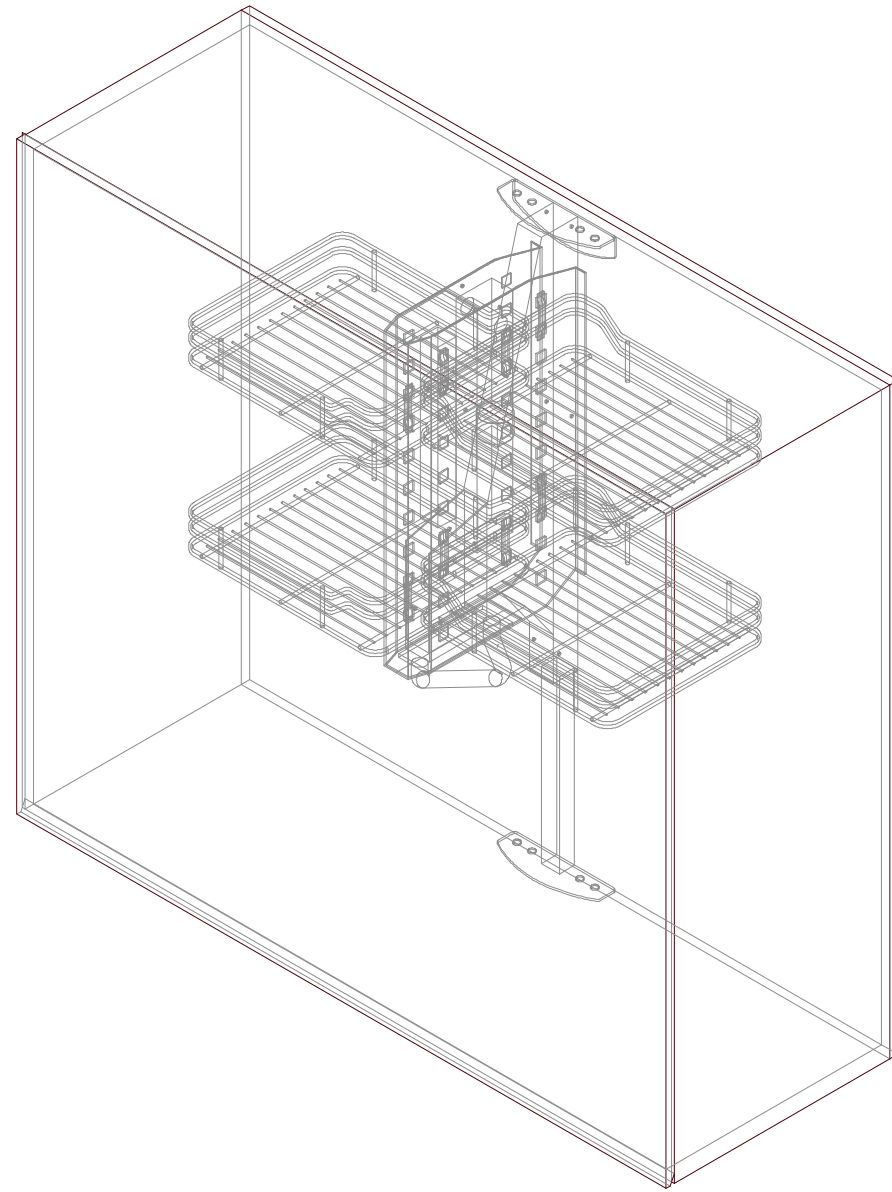


600/800/900mm

Azzurra Italian Series SUS304 Soft Closing Lift Basket



1



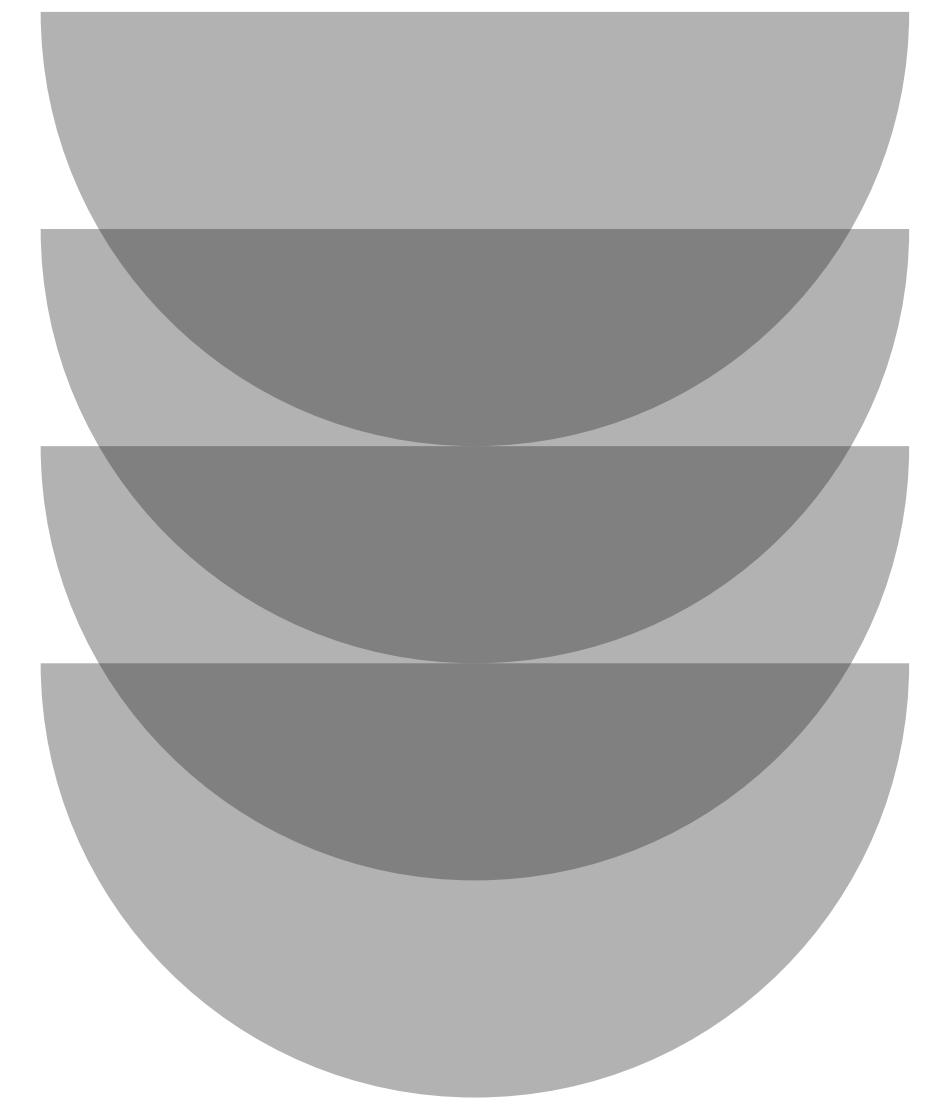
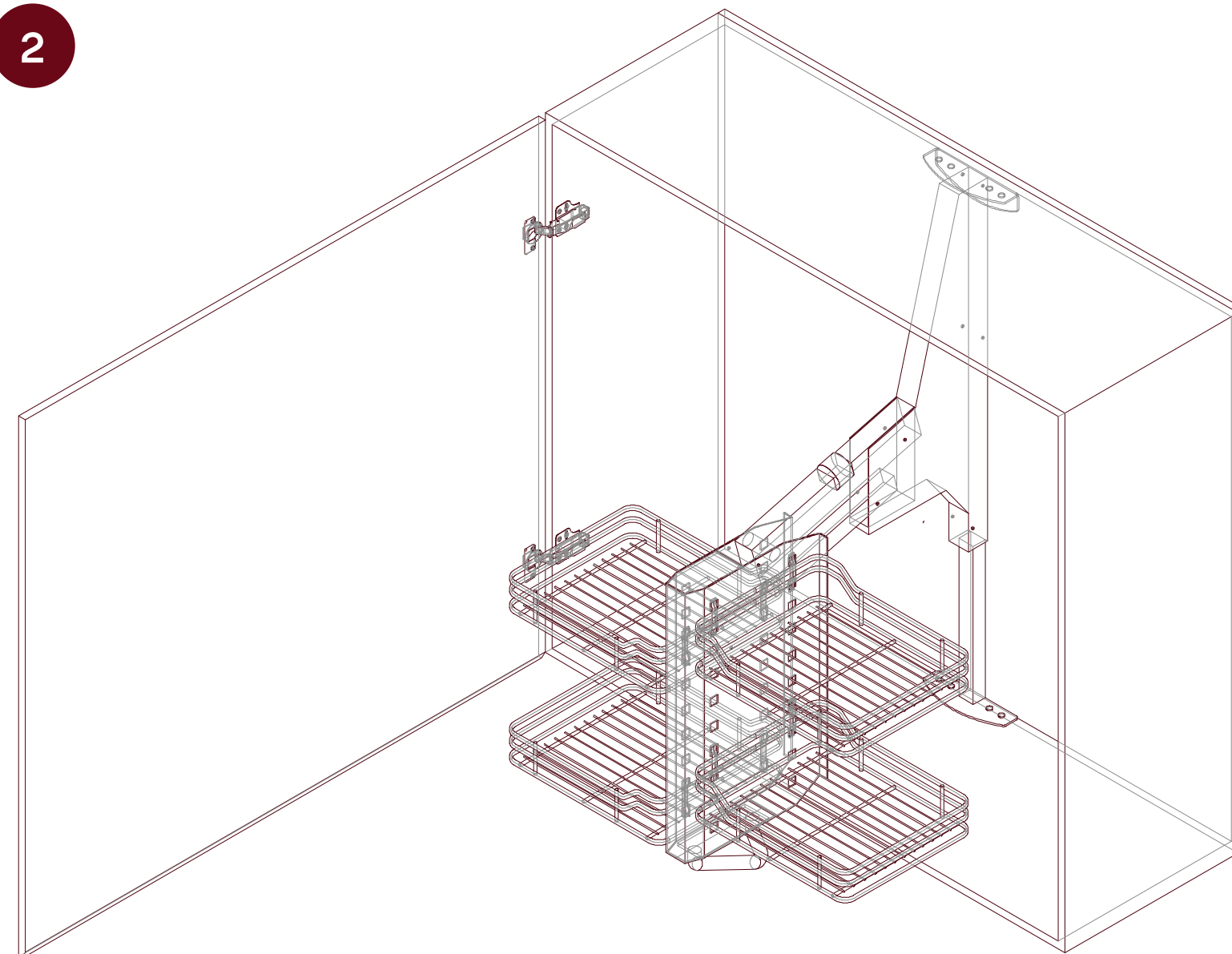
Free lift for easy accessibility of storage items without the need to scale heights

Measurement: D295 x W700 x H600-960

Inner cabinet requirements: D330mm x W730mm x H960mm

Maximum load: 18kg

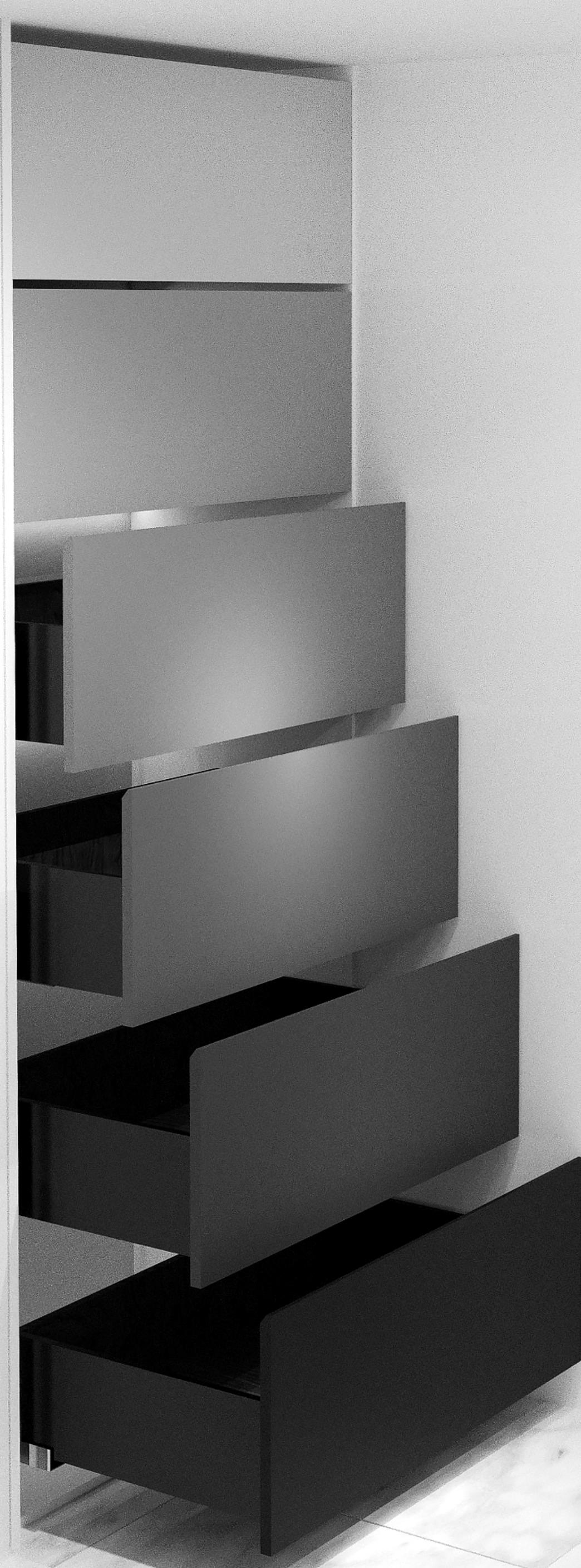
2



*Easier access for high storage



**Vicenzo Nero
Black Series
Double Wall
Soft-closing
System**

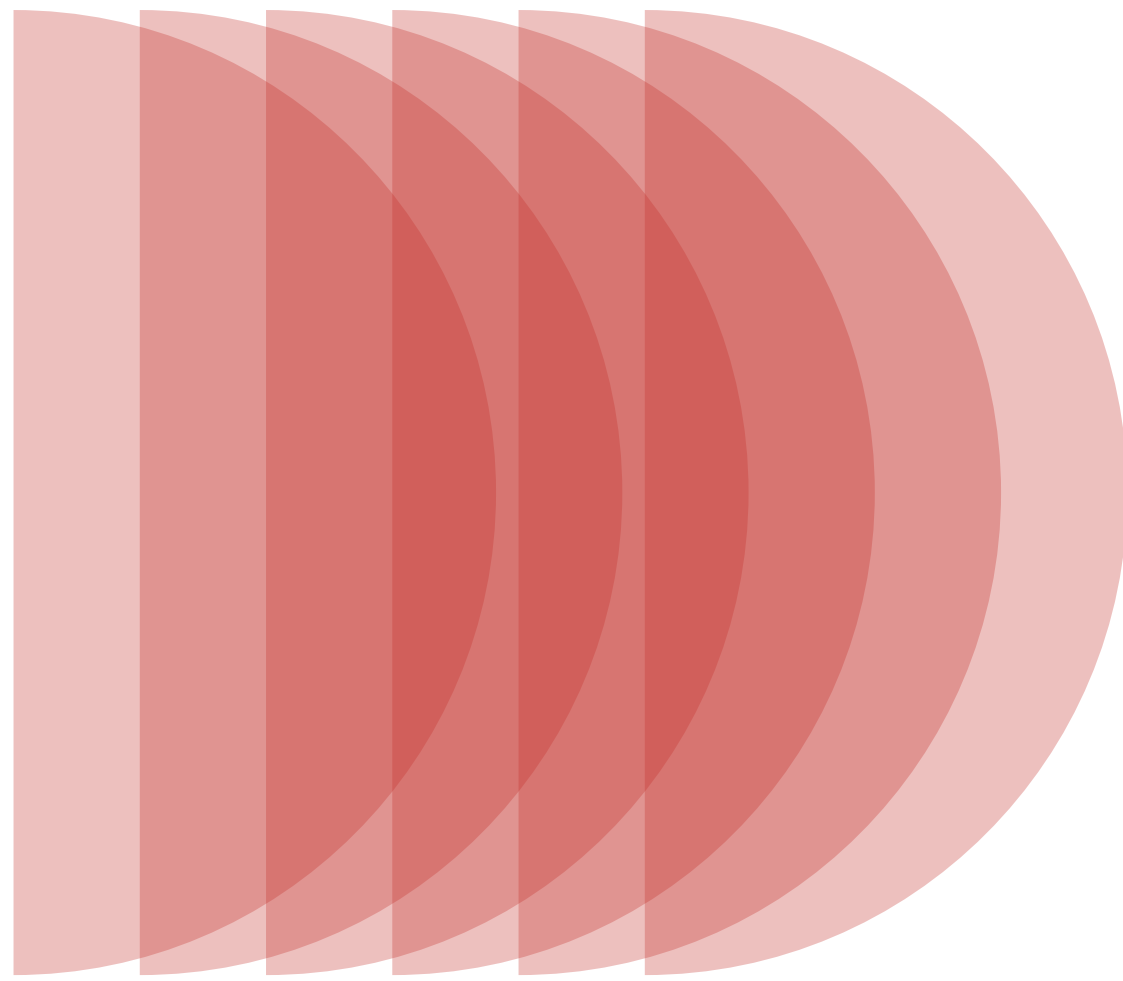


**HIGHLY
CUSTOMISABLE**





**Tall Unit With
5 Baskets and
Soft Closing
Slides**



*Space maximisation up to 90%

The Excel soft-closing tall storage unit system comes with five baskets—the best choice amongst all tall storage units system. Due to its minimalist nature, the soft-closing tall unit storage system is fuss-free when it comes to maintenance.

250mm: D470mm x W240mm x H85mm

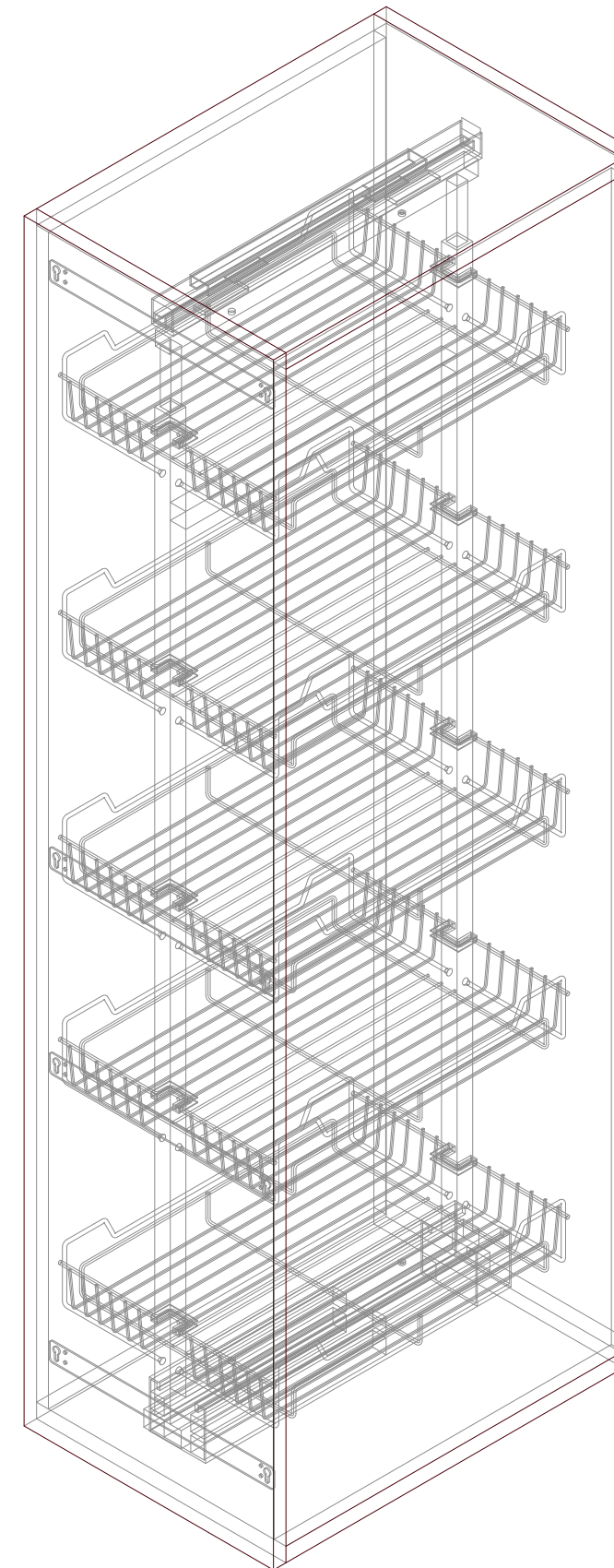
350mm: D470mm x W340mm x H85mm

Inner cabinet requirement

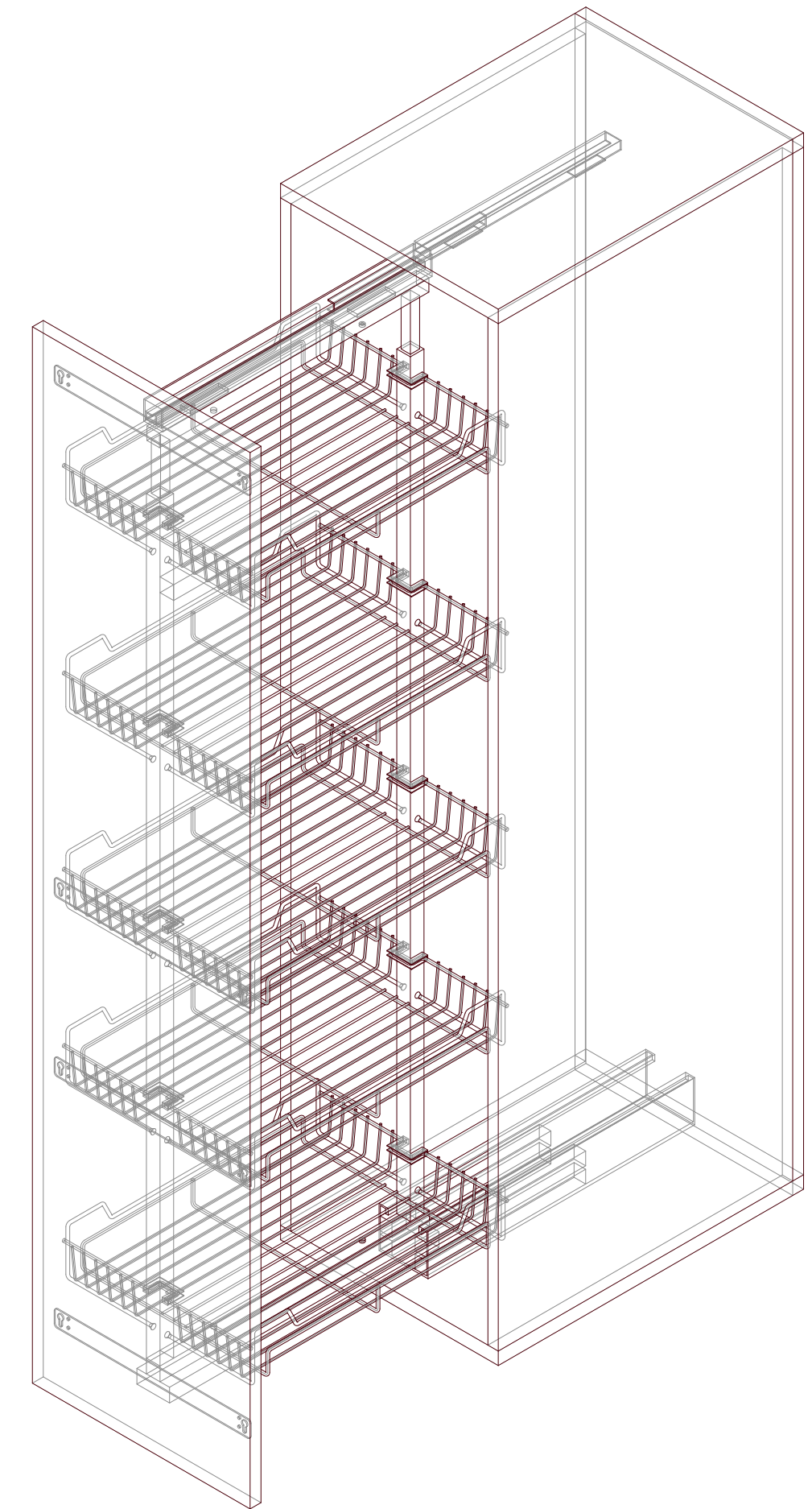
250mm: D520mm x W270mm x H1580 - 1760mm

350mm: D520mm x W370mm x H1580 - 1760mm

1



2





excelhw.com.sg

CONTACT

