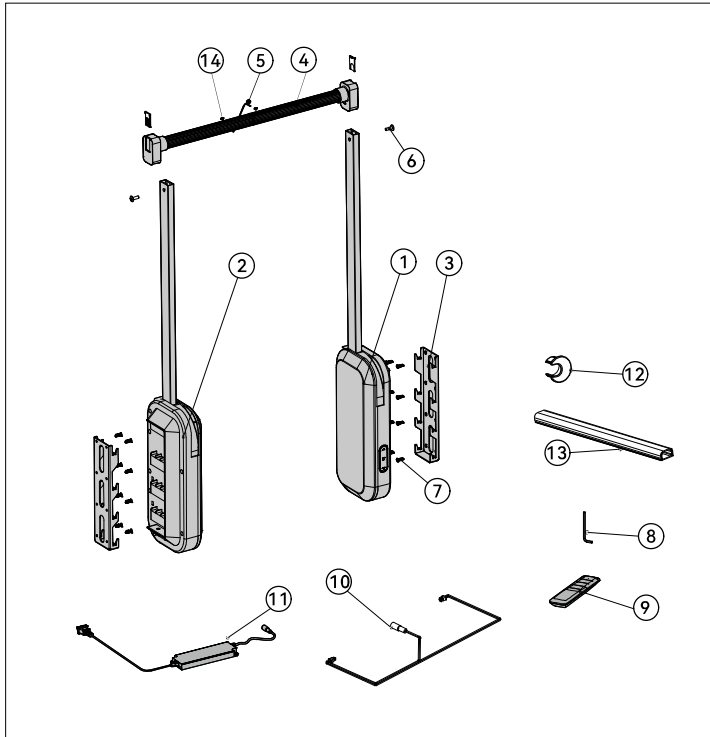


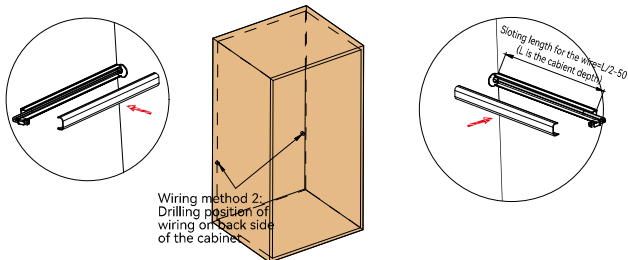
**INSTALLATION MANUAL FOR AUTOMATIC WARDROBE LIFT**

Accessories list as below



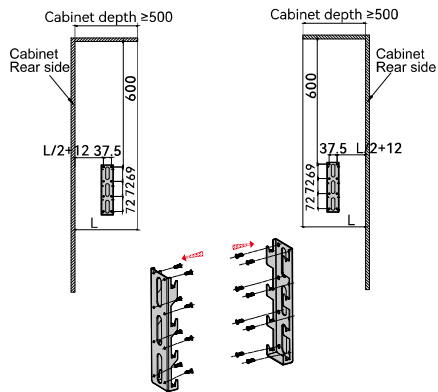
No.	①	②	③	④	⑤	⑥	⑦	⑧	⑨	⑩	⑪	⑫	⑬	⑭
DESC.	Lifting hanger assembly (right)	Lifting hanger assembly (left)	Mounting brackets	Middle rod assembly	Decorative cover of rod connector	M6*30 screw	S7.4*16 countersunk self-tapping screw	3.0mm Allen key	Remote control	Terminal connecting wire	Power cord	Slot cover	Slot PVC stripe	M3*4 Hex screw
QTY	1	1	2	1	1	2	16	1	1	1	1	2	2	10

**1.2 External wiring:** From the back side of the cabinet, divide the terminal lines into the cabinet through the slot hole and wire slot cover at the back of the cabinet in two ways. Tear down the sticker on the bottom wire slot cover and stick it on the inner side of the cabinet, do not cover the slot.



①

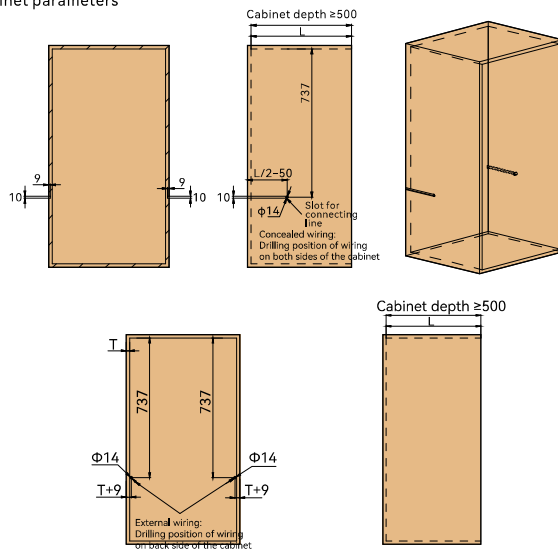
**2. Install the left/right Mounting brackets on the two inner side panels of cabinet, mounting dimension please refer to below picture.**



②

**Wiring methods: Slotting position of cabinet**

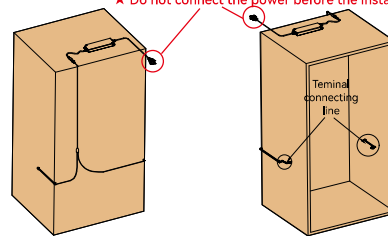
Cabinet parameters



**Installation steps**

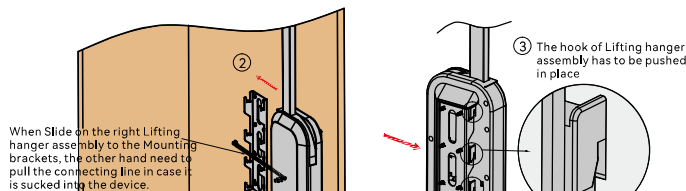
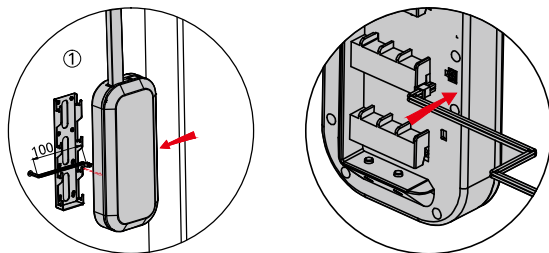
**1.1 Concealed wiring:** From the back side of the cabinet, divide the terminal lines into the cabinet in two ways through the slot hole at the left and right side of the cabinet.

★ Do not connect the power before the installation is finished.



**3.1 Pull out the right terminal connecting line over 150mm from slot hole, insert the terminal to motherboard of the right Lifting hanger assembly**

**3.2 Slide on the right Lifting hanger assembly to the Mounting brackets with hands, until it moves to the right position. Pls pay attention to the connecting line avoiding sticking into the device when sliding. After that tighten the two set screws with allen key.**



④ Tighten the two set screws with allen key

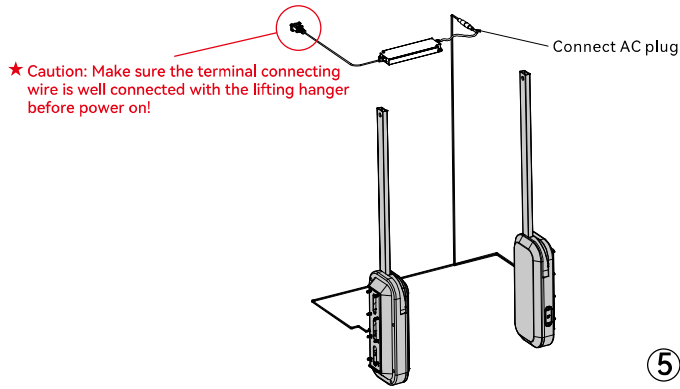
③

**4.1 Similarly, pull out the left terminal connecting line over 150mm from slot hole, and insert the terminal to motherboard of the left Lifting hanger assembly.**

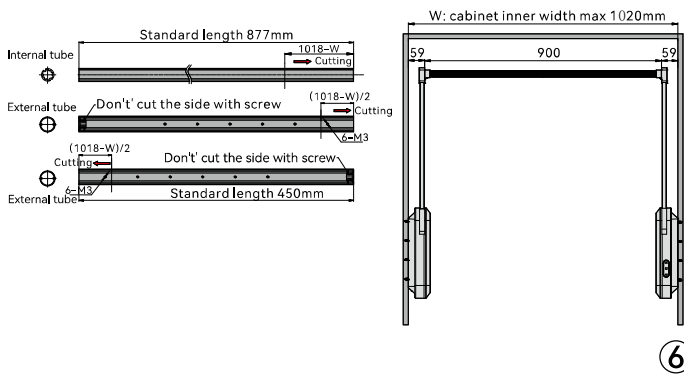
**4.2 Slide on the left Lifting hanger assembly to the Mounting brackets with hands, until it moves to the right position. Pls pay attention to the connecting line avoiding sticking into the device when sliding. After that tighten the two set screws with allen key.**

④

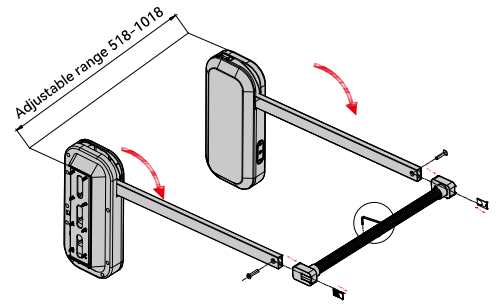
5. After step 3 and 4 is finished, connect the plug of the terminal connecting wire to the plug of the power cord.



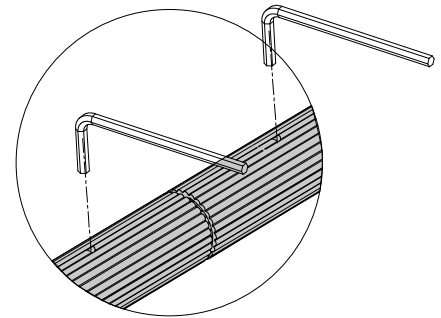
6. According to the cabinet inner width, cut the internal and external tube.



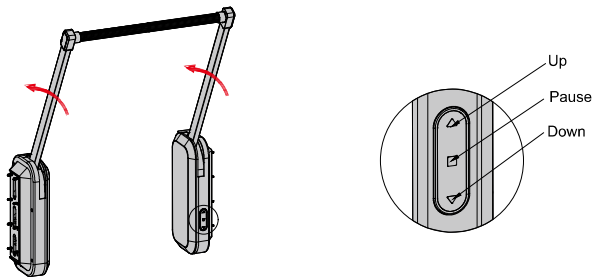
7. Plug in the power cord and turn it on, use remote control or sensor touch control to pull down the left/right rods to 90 degree, adjust the middle rod to appropriate width, then insert it to left/right rods and fix it with screws. Clip on the decorative cover in the end.



8. Adjust the middle rod assembly to appropriate width, then fastened by allen key

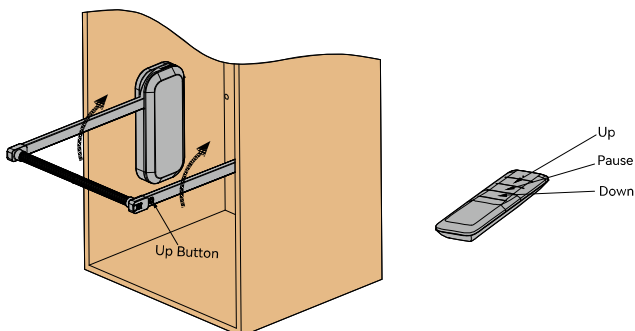


9. Test the product after installation. Use remote control or sensor touch control to rise the rod. It will stop automatically when it rises to the top. Press the down button to drop the rod. Or press the pause button to stop it during moving down. When the remote control or sensor control works normally, the testing is completed.

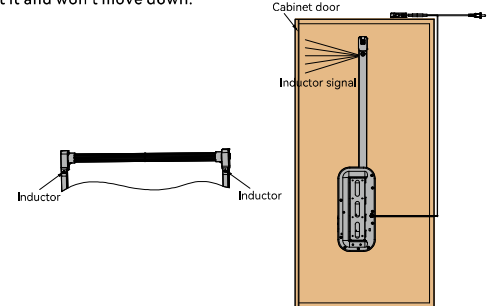


Caution: make sure both side (right/left) Lifting hanger assembly plug in power before turning on the wardrobe lift. Otherwise, the middle rod will be damaged if only one side electrical machinery works..

10. When the rod goes down to the right position, can press the Up button on the right side of the rod to raise it up. This is convenient for users to raise up the rod after getting clothes.



11. With auto-inducting function, When cabinet door is closed, the up and down rod can auto-induct it and won't move down.



12. Voice control system command list  
(Only for Product with Voice control function)

Command word	Machine Response
Turn on the light	Okay
Turn off the light	Okay
Lift up	Okay
Stop	Okay
Lift down	Okay
Volume Up	Okay
Volume Down	Okay
Volume Max	Okay
Volume Min	Okay

Wake up word	Machine Response
Hello Lift	Hello, I am coming

Exit command	Machine Response
Goodbye	Goodbye