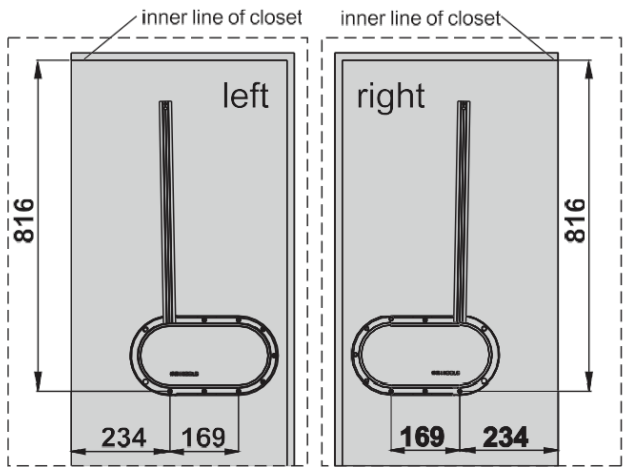


Components		(mechanical box)		
<b>1a</b>	<b>1b</b>	<b>2</b> X2	<b>3</b> X4	<b>4</b> X2
<b>5</b> X1	<b>6</b> X1	<b>7</b> X1	<b>8</b> X2	
ST4.2*14	ST2.9*12 (Pre-installed)	ST3.5*16	ST4*40	<b>13</b> X1
<b>9</b> X2	<b>10</b> X1	<b>11</b> X22	<b>12</b> X22	

Name	Cabinet width(T)	Product size
Sollevamento Clothes Hanging Lifter Installation Manual	900-1100mm	(864-1164)X366X775

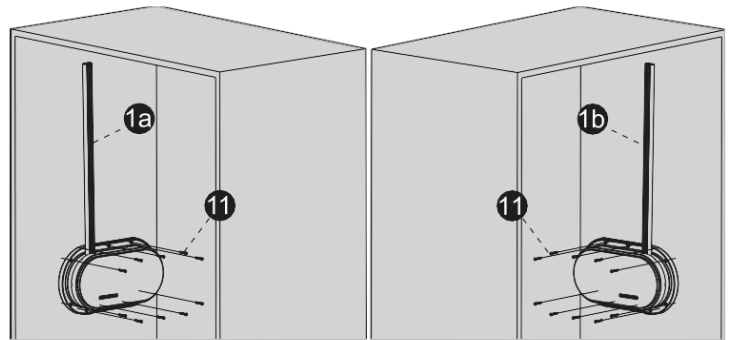
## 1 Install up and down mechanical box

**1.1** drill holes 2XΦ2.5 on inner left of the closet, position of holes as bellow map



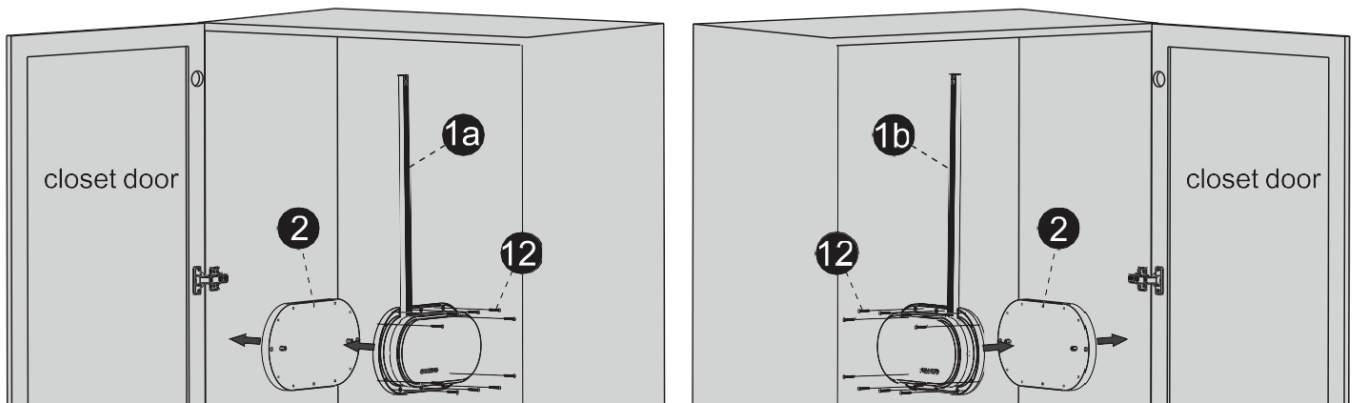
**1.2** installation for closet without door

Remark:  
use screw ST3.5\*16 to fix the boxes.



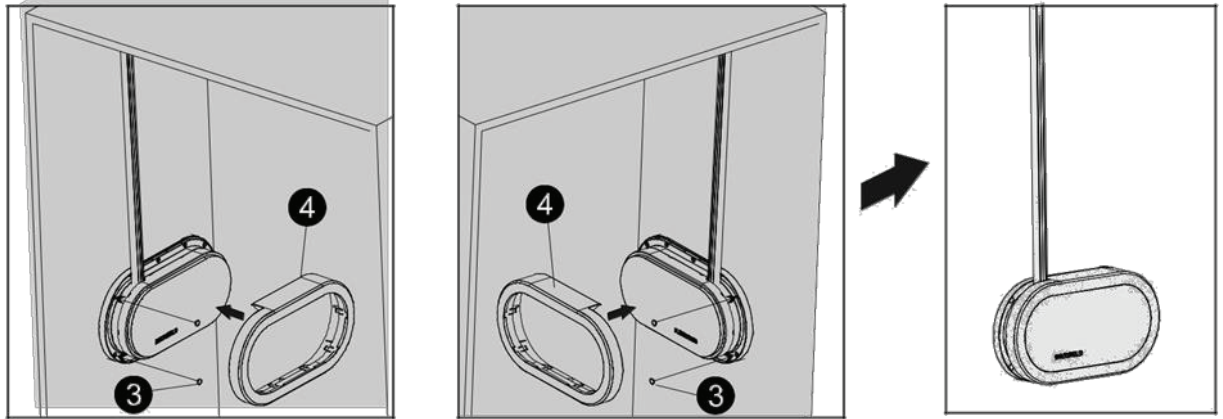
**1.3** Installation for closet with door

Remark:  
Please make sure install the door first, then install the boxes same as step 1.2.



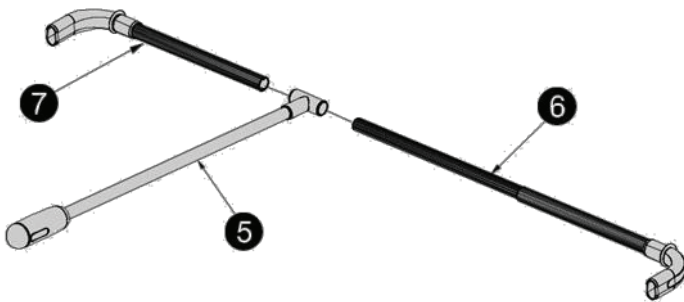
**2 Install frame of mechanical box**

**2.1** fix parts No.3 with No.4 together

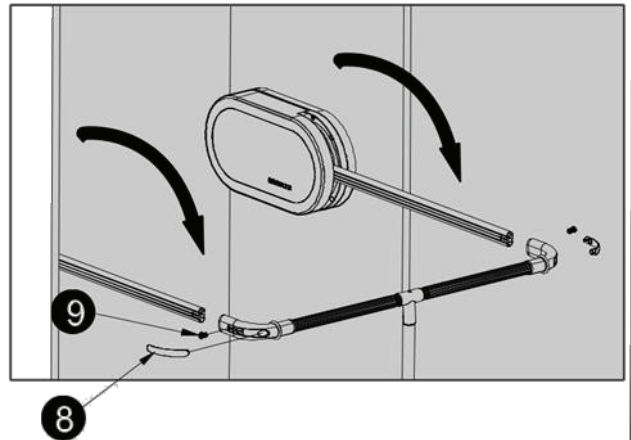


**3 Installation for metal bars**

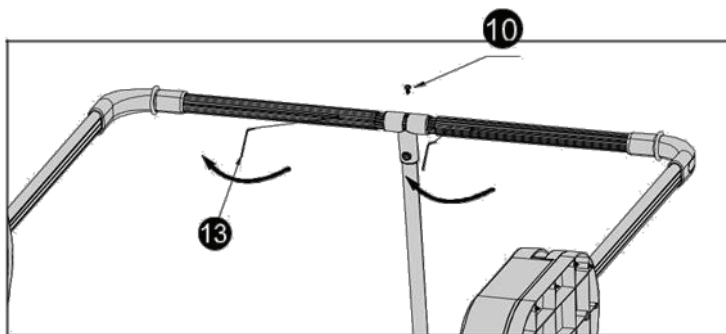
**3.1** fix parts No.5,6,7 together



**3.2** pull down parts No.1a&1b, fix with parts No.8 by screw ST4.2\*14.



**3.3** Use ST2.9\*12 screw to fix T shape plastic part with bars.



**3.4** overview for installation finished

