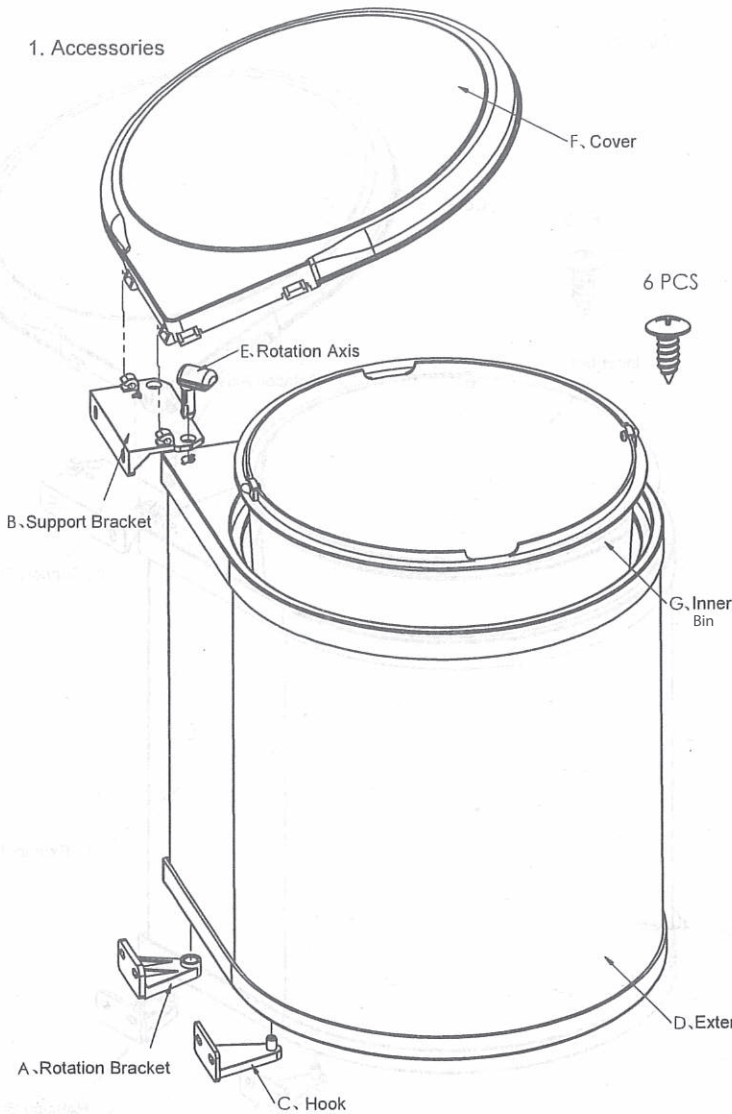
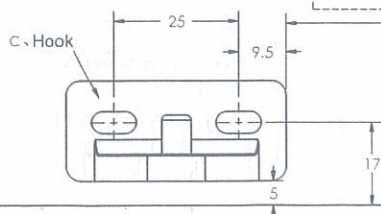
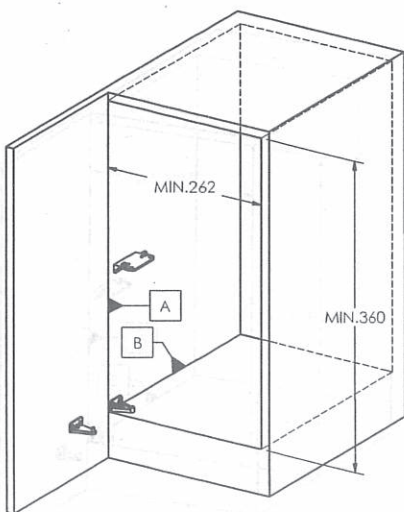


Stainless Steel Dust Bin 5L (left)

1. Accessories



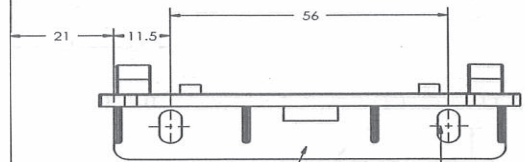
2. Adaptable Cabinet



Cut along the dotted line for the position of the hinges

3. Installation Steps

- 1) Please drill the installation holes while the A and B base lines on this stencil are aligned with the sidelines of the cabinet's side board.
- 2) Please install the accessories A, B, C in turn
- 3) Please install the bottom of accessory D into the hole of accessory A while at the same time, insert the cylinder of accessory C into the groove on the bottom of Accessory D. Then the accessory E should be inserted into the holes of accessory B and D. Please open and close the cabinet door to check whether it is functioning smoothly.
- 4) Please fix accessory F onto accessory B, then open and close the cabinet door to check whether accessory F would be opened smoothly and closed tightly
- 5) Put accessory G into the dustbin and the installation is completed.



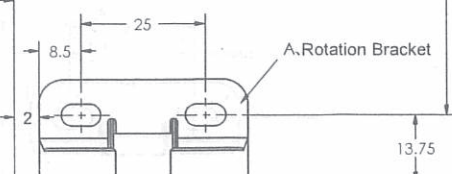
B. Support Bracket

To ensure the dustbin cover function properly without gap leaving in the middle:

- 1) Check if the installed hinges isn't blocking the dustbin cover from closing.
- 2) Check accessories A & B, loosen the screw a little and move the dustbin inwards, ensure it's cover close properly. Drilling a new fixing holes is unnecessary.

Installation Steps

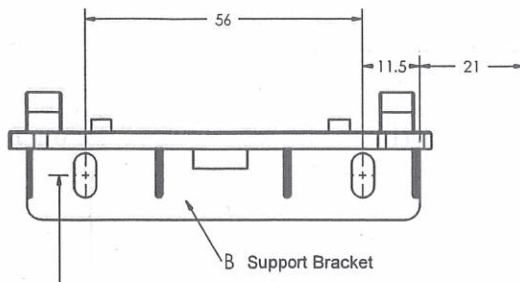
the distance between Rotation Bracket and Support Bracket is 222MM.



Stainless Steel Dust Bin 5L (right)

3. Installation Steps

- 1) Please drill the installation holes while the A and B base lines on this stencil are aligned with the sidelines of the cabinet's side board.
- 2) Please install the accessories A, B, C in turn
- 3) Please install the bottom of accessory D into the hole of accessory A; while at the same time, insert the cylinder of accessory C into the groove on the bottom of Accessory D. Then the accessory E should be inserted into the holes of accessory B and D. Please open and close the cabinet door to check whether it is functioning smoothly.
- 4) Please fix accessory F onto accessory B, then open and close the cabinet door to check whether accessory F would be opened smoothly and closed tightly
- 5) Put accessory G into the dustbin and the installation is completed.



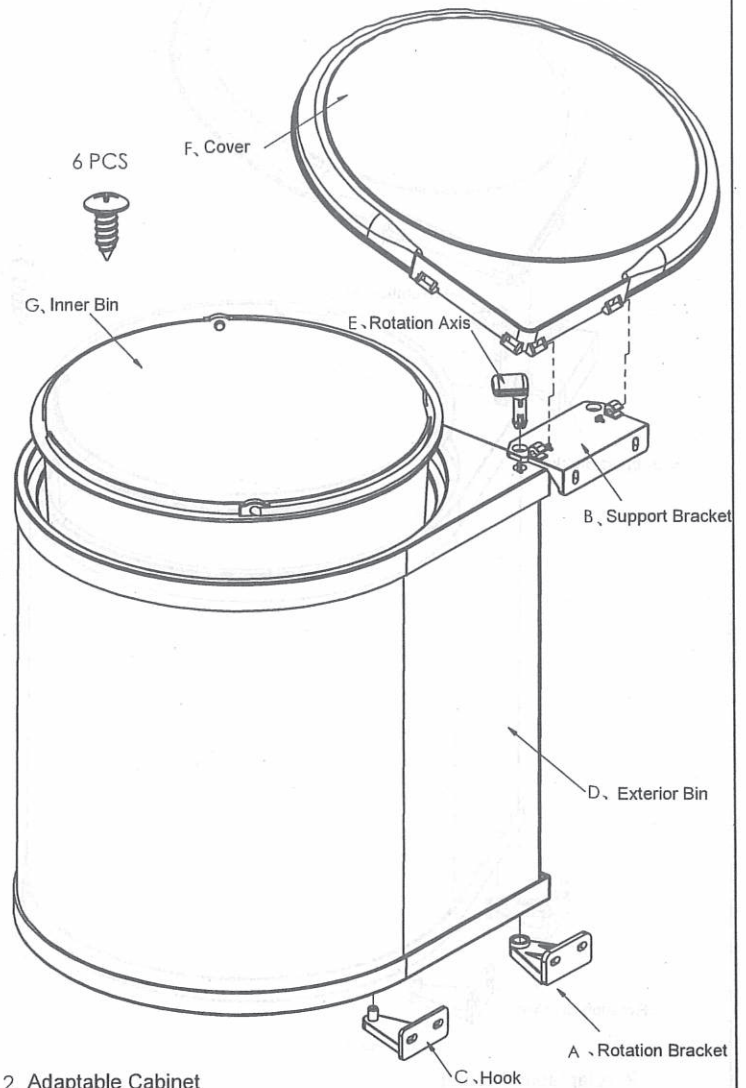
To ensure the dustbin cover function properly without gap leaving in the middle:

- 1.) Check if the installed hinges isn't blocking the dustbin cover from closing.
- 2.) Check accessories A & B, loosen the screw a little and move the dustbin inwards, ensure it's cover close properly. Drilling a new fixing holes is unnecessary.

A

the distance between Rotation Bracket and Support Bracket is 222MM.

1. Accessories



2. Adaptable Cabinet

Installation Steps

Cut along the dotted line for the position of the hinges

