

Year of Manufacture: 20_____

Doc # 01-08-042J

Original Instructions



V-1000 Printer

Assembly and Operations Manual

Floor and Tabletop Models



This manual contains the following documents:

- Introduction / Safety / Features Pg. 2-3
- Contents of boxes Pg. 4
- Printer Overall View Pg. 5
- Component Identification / Print Head Pg. 6
- Assembly Instructions Pg. 7-13
- Wheel Lock Housing Checking Level Pg. 11
- Pallet Assembly Pg. 14-15
- Pallet Leveling Pg. 16
- Print Head Leveling Pg. 17
- Lubrication / Maintenance Pg. 18
- Warranty / Terms & Conditions Pg. 19
- CE Declaration of Conformity Pg. 20

Vastex International, Inc.
7 Emery Street
Bethlehem, PA 18015 USA
Phone# 610 625-2702 Fax# 610 625-2775
Web Site www.vastex.com

Authorized Representative in Europe:
Certification Experts BV
Nieuwstad 100 1381 CE Weesp,
The Netherlands
Tel : + 31 (0) 294 – 48 33 55
Fax : + 31 (0) 294 – 41 46 87

Vastex E-mail assistance

Purchasing & Product Info:

sales@vastex.com

Electrical Support:

stech@vastex.com

Tech Support, Mechanical Setup, and Operation:

techsupport@vastex.com

Screen Printing Issues & Support:

printech@vastex.com

Serial Num- VTX_____ Date: ___/___/___

(Please log your machine's serial number and date of purchase for future reference.)

Introduction

Thank you for purchasing your printing equipment from Vastex International Inc.

Vastex has been designing and building printing equipment since 1960. We have knowledge and experience, and are proud to supply the printing industry with quality equipment at an affordable price. You can be confident your purchase will give you years of trouble free service.

Safety

Intended Use:

This equipment is intended for performing manual screen printing of fabric items, particularly garments. This equipment must not be used in a manner contrary to what is described in this manual.

Safety:

- The operator should read and understand this manual before operating this equipment. Store manual and safety information near equipment for easy access to operators.
- Keep children and pets clear of the work area.
- Do not sit or stand on printer.
- The print heads utilize heavy duty springs to hold the screen in the raised position. These springs generate a lot of force. Care must be taken when installing and removing the print head lifting springs.
- Do not operate printer without print head stop bar in place.
- Do not allow print heads to swing into their raised position unrestrained.
- Screens should be installed and removed with print heads in their raised position.
- Print heads should remain in their raised position when not in use.
- Do not set foreign objects on any part of the press.
- Noise and vibration: This noise level produced by this equipment does not exceed 70 dB(A).

Features

- Steel Pallets w/rubber top
- Floating Print heads allows multiple heads down
- Micro Registration
- 6 way head leveling
- Available up to 6 table 6 color
- Accurate multicolor registration
- Expandable from 1x1 to 6x6
- 3 year warranty on manufactures defects
- HD Head upgrade available

Tools Required

- 1/4", 7/16", 9/16" Wrench, Adjustable Wrench,
- 9/16 socket, ratchet and extension, level
- 3/4 Wrench (req. for optional service pan)

— Stability during use, transportation, assembly, foreseeable breakdowns, etc. —

This equipment is designed and expected to be stable during all normal conditions of use.

- When assembling your press, do not stand tall parts upright until you are ready to install them; lay them flat instead.
- It is recommended that assembly should be done by two or more people, to facilitate the alignment of parts that must be bolted together.
- If one or more legs of the press will be removed, be certain to adequately support the rest of the press.

— Safe handling, transport, and storage of the press —

Your press is designed to be inherently safe under all normal conditions. When handling or transporting your press, be aware of the weight of your unit and have an appropriate number of people to lift the weight safely: V1-44 — 256 lbs (116 kg); V1-46 — 308 lbs (140 kg) V1-66 — 400 lbs (181 kg)

If your press is to be moved or transported regularly, it is recommended that you purchase the optional casters.

— Placing this equipment into service —

To place your press into service —

- 1.) Review the photographs on pages 4 through 6 to familiarize yourself with the parts of your press.
- 2.) Follow the assembly instructions on pages 7 through 12.
- 3.) Make final adjustments to your press; follow instructions on pages 13 through 15.

— Operating this equipment —

To operate your press —

- 1.) Clamp your first screen into head #1.
- 2.) Repeat for additional screens, using additional heads.
- 3.) Place garment in pallet #1.
- 4.) Lower print head and squeegee ink through screen.
- 5.) Raise print head. For one-color printing, load new, blank garment and repeat steps above.
- 6.) For multi-color printing, rotate the pallet to print head #2 and repeat steps above until all colors are printed.
- 7.) If any adjustments to the print heads need to be made, refer to the instructions in this manual.
- 8.) **Flashing** should not exceed 15 seconds or 200°F (93.3°C) to protect rubber pallet tops.

— In the event of an accident or breakdown —

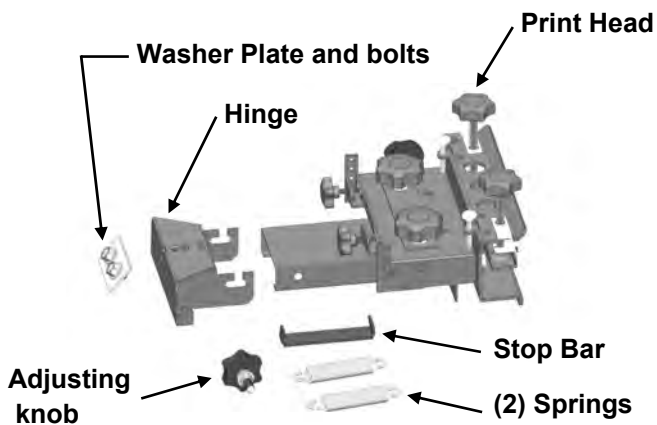
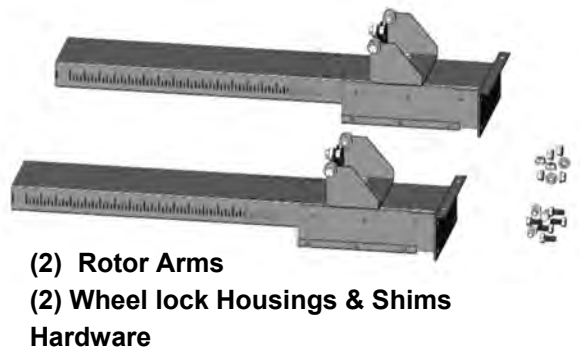
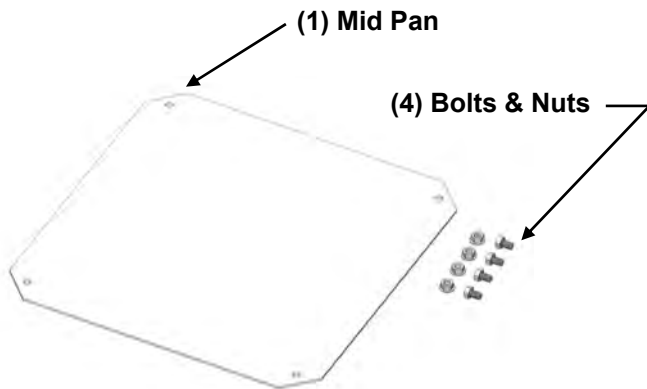
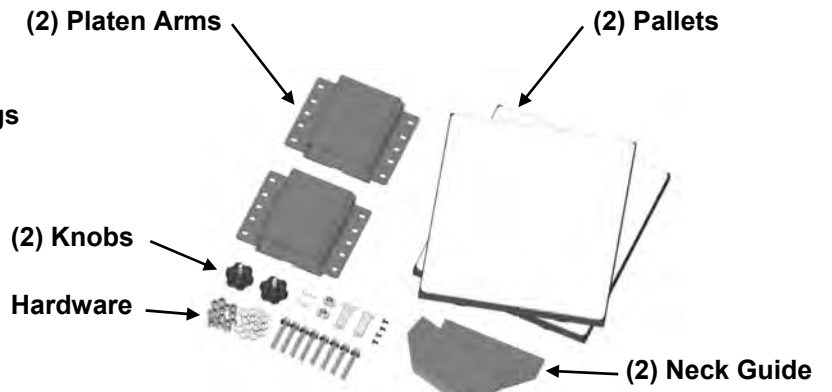
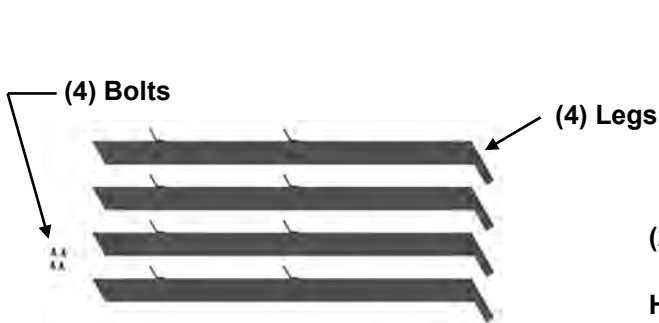
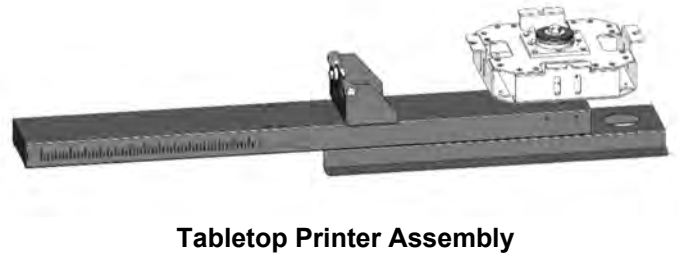
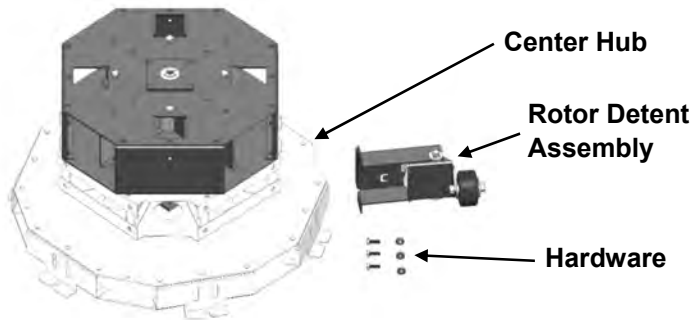
In the unlikely event that a part of your press breaks, or if your press does not seem to be operating normally and the instructions in this manual do not correct the issue, do not continue using your press. Contact Vastex for assistance in repairing your press.

— Safety during maintenance or while making adjustments —

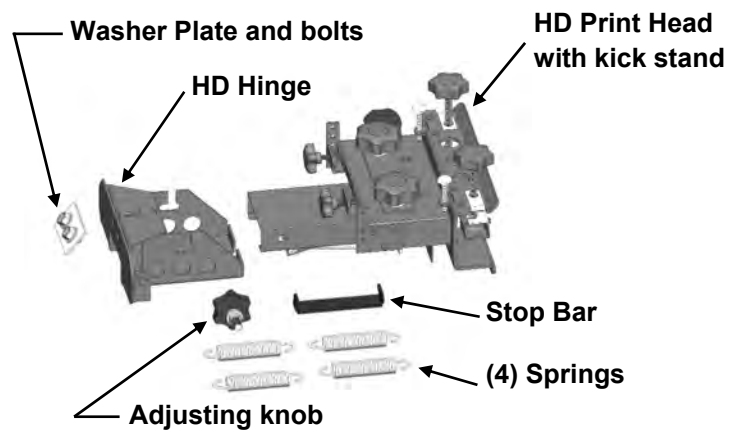
- When cleaning or lubricating your press, make sure that nobody in the work area is close enough to cause any part of the press to move unexpectedly.
- Do not remove springs unless under the specific direction of Vastex customer service.
- Observe the general safety cautions on page 2 of this manual.

Contents of Boxes

Your Printer has been packaged in several pre marked boxes. The printer you ordered may consist of several combinations of the following boxes.



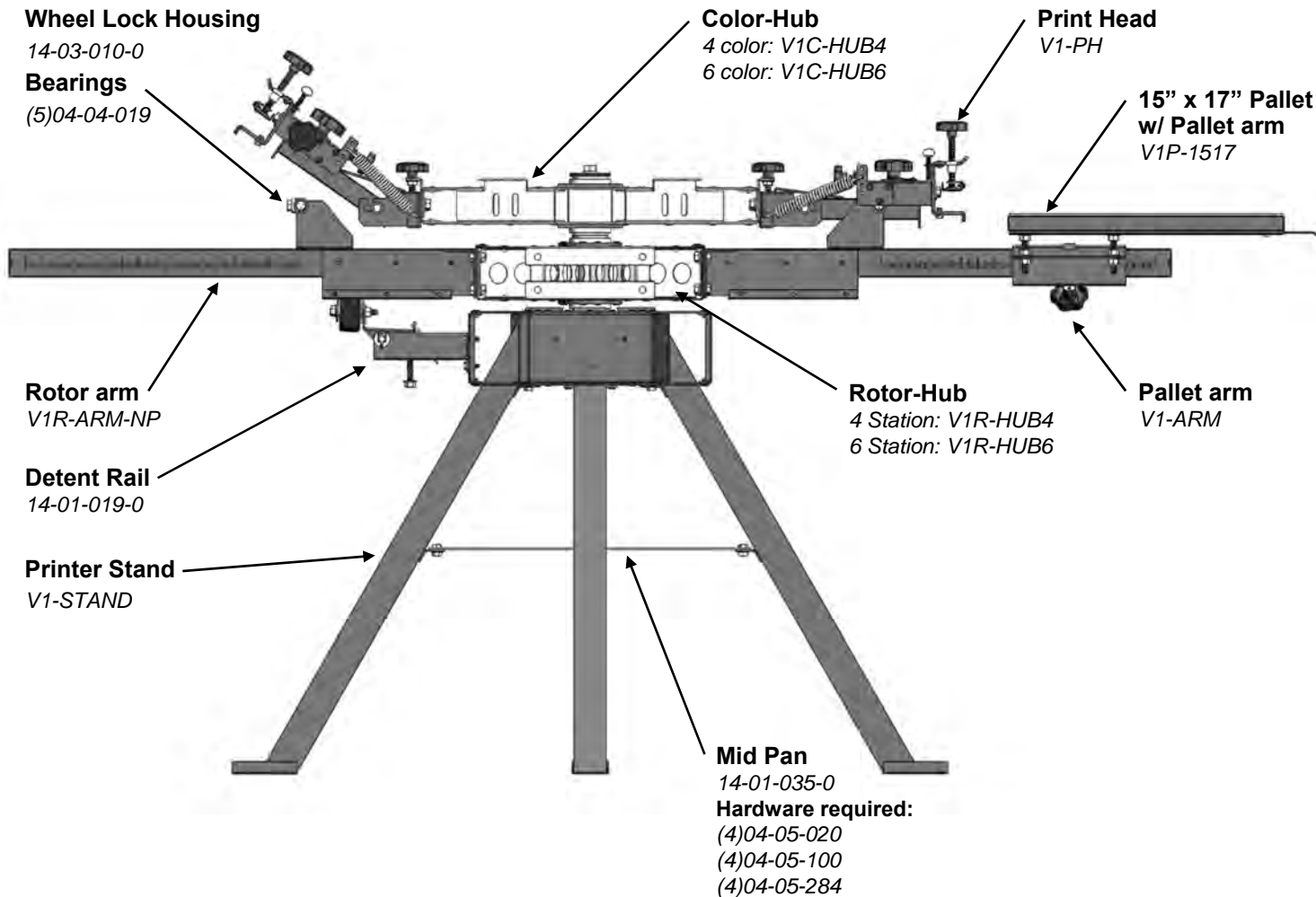
Standard Print Head



HD Print Head

V-1000 4 Station 6 Color Press

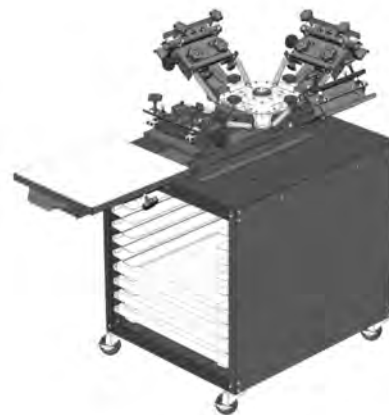
Model#: V1-46



V1-46 w/ optional service pan & Wheels



V1-44 w/ optional service pan & Wheels

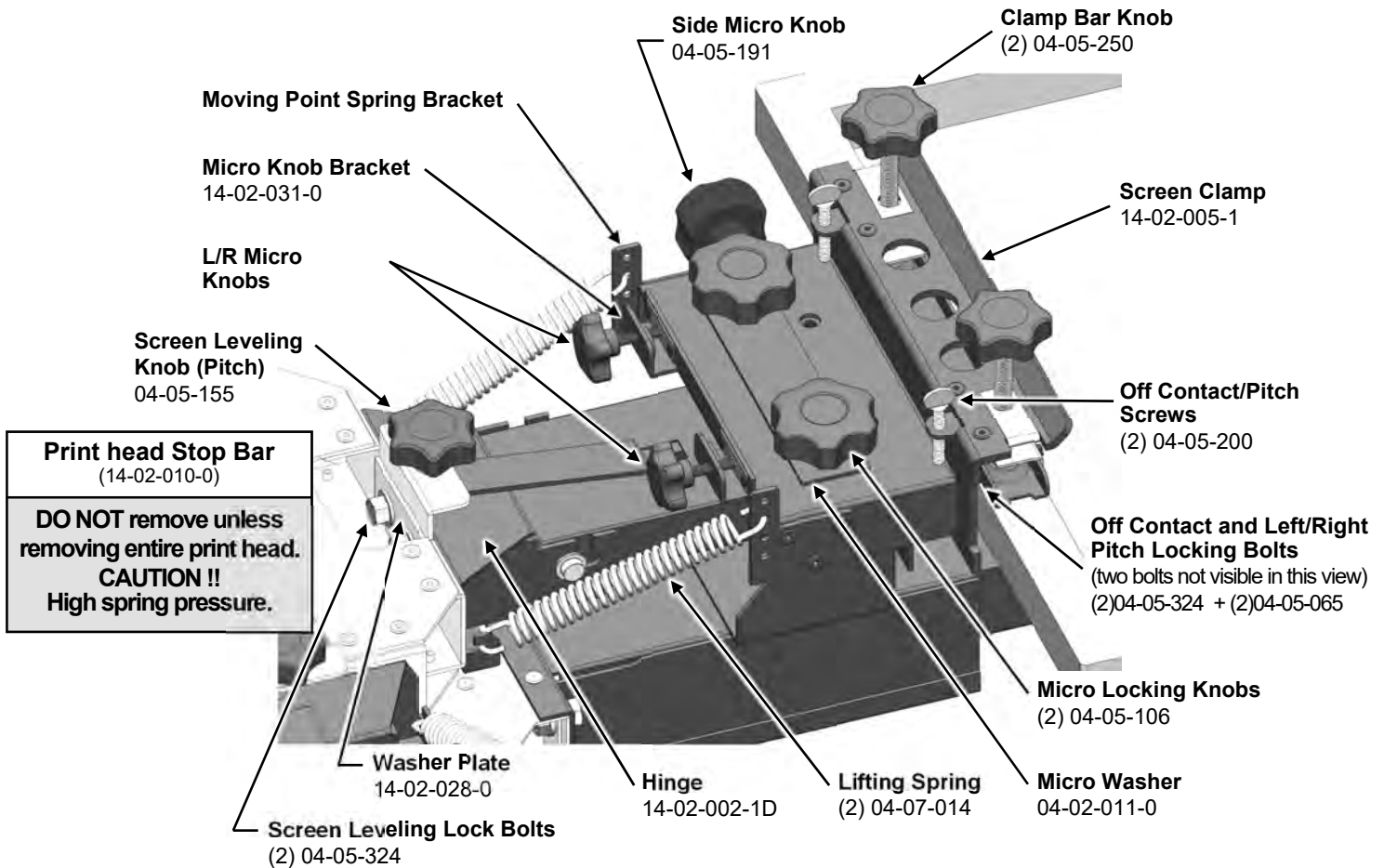


V1-T14 w/ optional Utility Cart

Component Identification / Print Head

Print Head Overview:

The V-1000 Printers utilize floating print heads. When the print heads are lowered they lock into a Wheel Lock Housing. This effectively disengages the print head from the "C" hub and precisely aligns it to the pallet. The floating print head will only function properly if screens are set with off contact from pallets.



- **Screen Leveling Lock Bolts:** Loosen 1/4 turn to adjust the front to rear pitch. Re-tighten after pitch is adjusted.
- **Screen Leveling Knob:** After loosening the Screen Leveling Lock Bolts, turn knob clockwise to pitch the front of the screen up, and counter-clockwise to pitch the front of the screen down.
- **Stop Bar:** DO NOT remove unless removing entire print head. This bar stops the Print Heads in the up position
- **Lifting Springs:** The coil springs hold the Print Head up, and pull tension for the micro adjustments.
- **Moving Point Spring Bracket:** 4 Positions for spring. Higher point = more lifting force.
- **Micro Adjustment Locking Knobs:** Loosen 1/4 turn to make micro adjustments. Retighten when complete.
- **Side Micro Knob:** (red) Controls side to side micro adjustment.
- **Left & Right Micro Bolts:** Rotates the screen several degrees in either direction and moves screen front to back.
- **Off Contact Locking Bolts:** Must be loosened slightly to make Off Contact adjustments.
- **Off Contact Adjusting Screws:** Used to level and set the distance between the screen and pallet.

Note: For Micro Registration, loosen the Micro Adjustment Locking Knobs slightly before making screen adjustments. Check that locking knobs are tight before setting off contact.

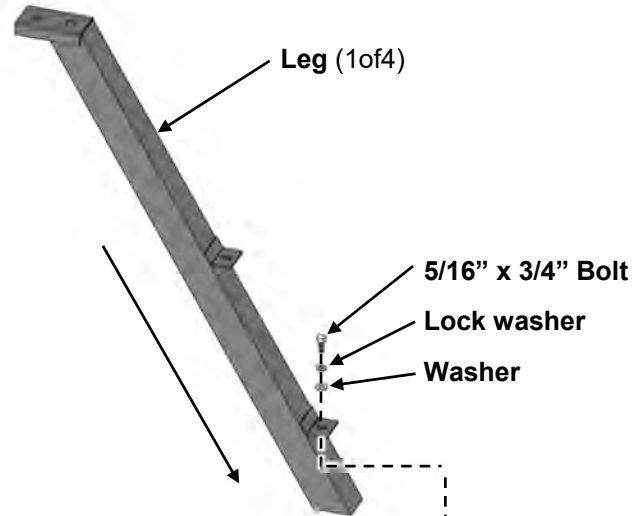
Assembly

Tabletop models skip to page 10.

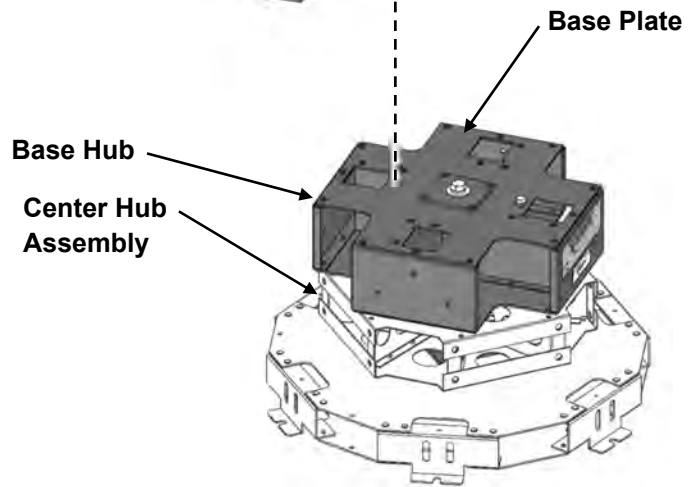
V1-88 skip to page 8.

1

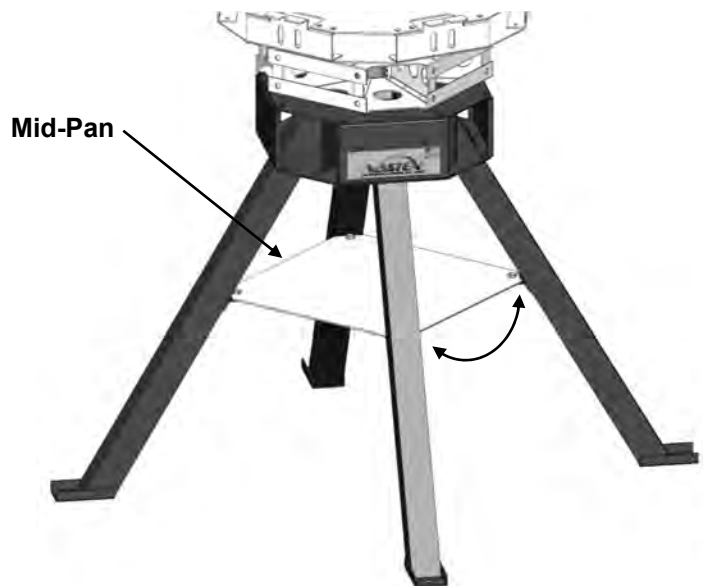
- 1) Place box marked Center Hub Assembly in an open area of your shop floor. Remove top of box. Center Hub assembly can remain in the box while installing legs and optional service pan.



- 2) Insert a leg through both rectangular openings in the upper and lower base plates of the base hub. Angled mounting bracket on leg should now be laying flat against the base plate. Insert 5/16 x 3/4 lg. bolt, washer, and lock washer through the angled mounting bracket and into base plate. Tighten bolt securely with 1/2" wrench.



- 3) Install three remaining legs like in step 2. Make sure all bolts are tight. Carefully turn machine over onto legs.



3

- 4) Install Mid-Pan. Mid-Pan rotates into place and is installed with (4) 5/16 x 1/2" bolts and Serrated Nuts.

5) The V1-88 stand comes partially assembled in crating.

6) Install the Mid-Pan using (4) 5/16 x 3/4" bolts and serrated nuts.

7) Slide the fifth leg into the rectangular opening of the Center Hub and fasten with the 5/16 x 3/4" bolt, washer, and lock washer. Once installed use the remaining 5/16 x 3/4 bolt and serrated nut to attach the Mid-Pan to the leg.

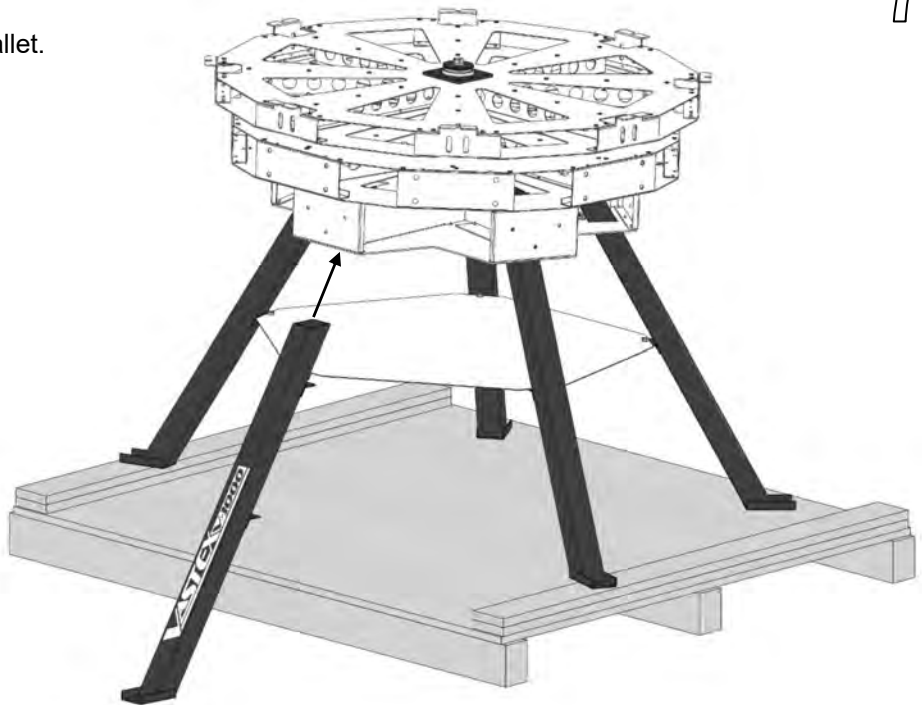
Note: You may need to tilt leg in order to slide it into the bottom of the Center Hub.

8) Slide stand off of the pallet.

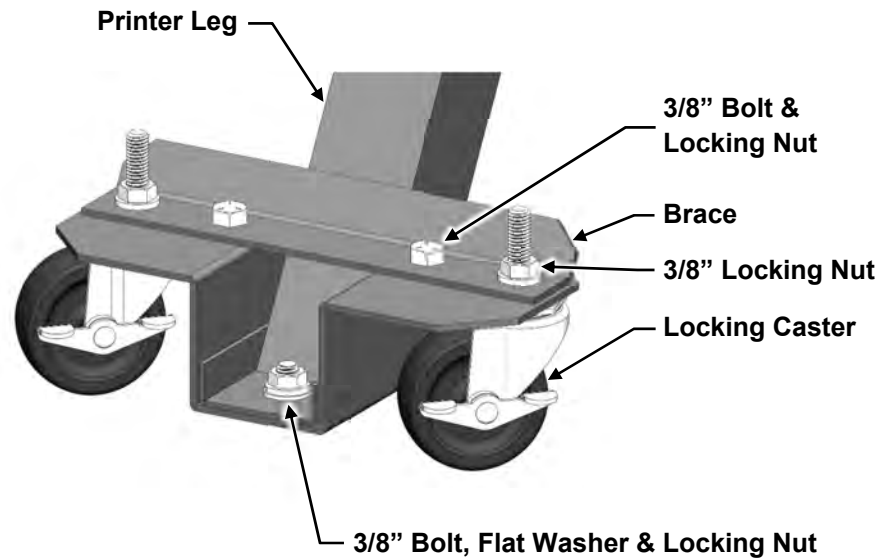
5



7



V-1000 Drop Down Wheel Set Installation (optional)



Tools Required:

(2) 9/16" Wrenches

Wheel Set Installation:

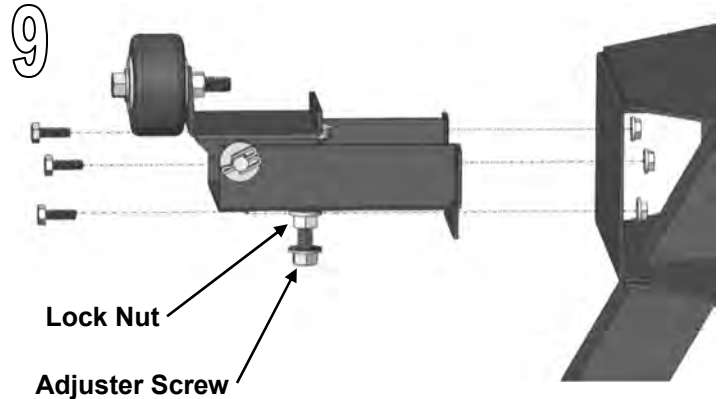
1. Bolt the brace to the offset plate using (2) 3/8" bolts and locking nuts.
2. Attach the casters to the offset plate and brace using 3/8 locking nuts.
3. Carefully lift the press and slide the wheel set assemblies under each leg.
4. Secure the wheel set assemblies to each leg. Place a flat washer on the bolt, install from the bottom, secure with a 3/8" locking nut from the top.



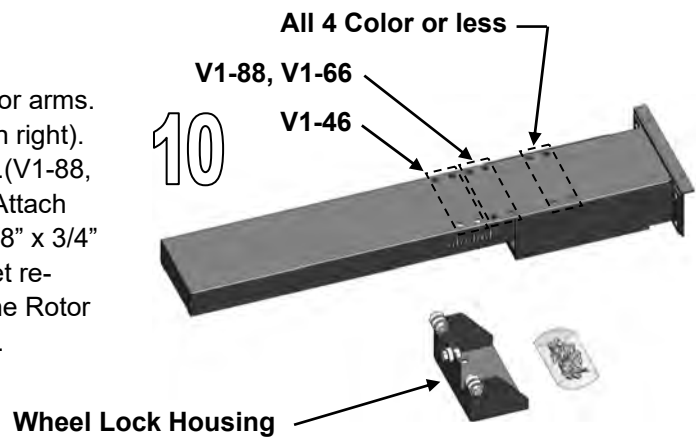
Drop Down Wheel Set Installed

Assembly cont'd

9) Install the Rotor Detent Assembly using three 1/4" x 3/4" bolts and serrated nuts. Tighten well using a 7/16" wrench. Install the assembly on any one of the four sides of the Base Hub. Once you have Rotor Arms installed, as described later in the manual, adjust the detent roller by loosening the lock nut with a 9/16" wrench. Turn the screw out to increase or in to decrease the holding pressure. Retighten locking nut after adjusting.

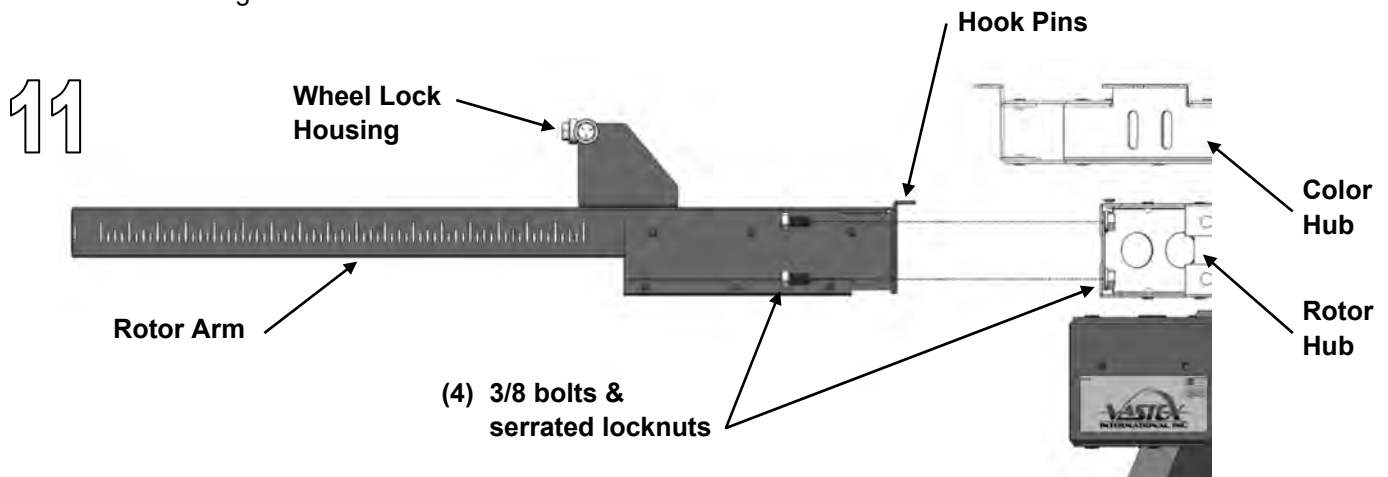


10) Install the Wheel Lock Housings onto the rotor arms. There are three mounting locations (shown on right). Select the correct set of holes for your printer. (V1-88, V1-66, V1-46, All machines 4 colors or less) Attach wheel lock housings to rotors arm with four 3/8" x 3/4" bolts and square nuts; 9/16 socket and ratchet required. The square nuts are installed under the Rotor Arm and will not spin while tightening the bolt.

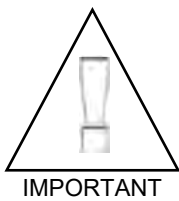


Wheel lock housing pictured may differ from included part. Mounting and function remain the same.

11) The Rotor Arms have Hook Pins. Place the rotor arm assembly against face of rotor hub and align pins to holes in top surface of rotor hub plate. Rotor arm is now supported by the Hook Pins. Secure Rotor Arm to hub with four 3/8 x 3/4" lg. bolts, serrated locknuts. Two 9/16 wrenches are required. Continue with installation of remaining Rotor Arms.



Wheel Lock Housing Level Check

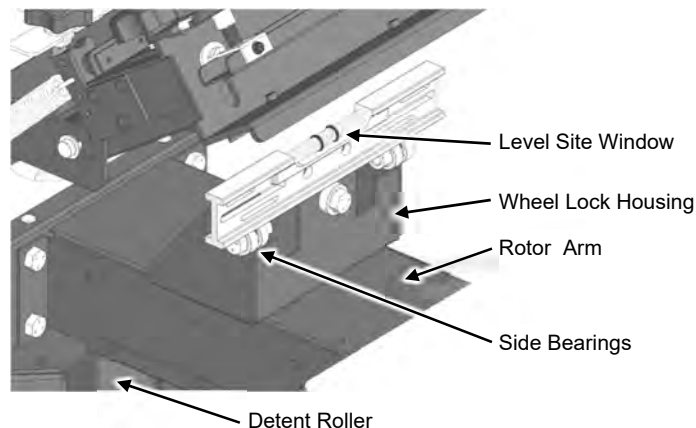


The following instructions will help determine if shimming the Wheel Lock Housings (WLH) is needed. A slight variation in level between housings is acceptable. See FIG A for allowable limits.

Checking Level Between Wheel Lock Housings (WLH)

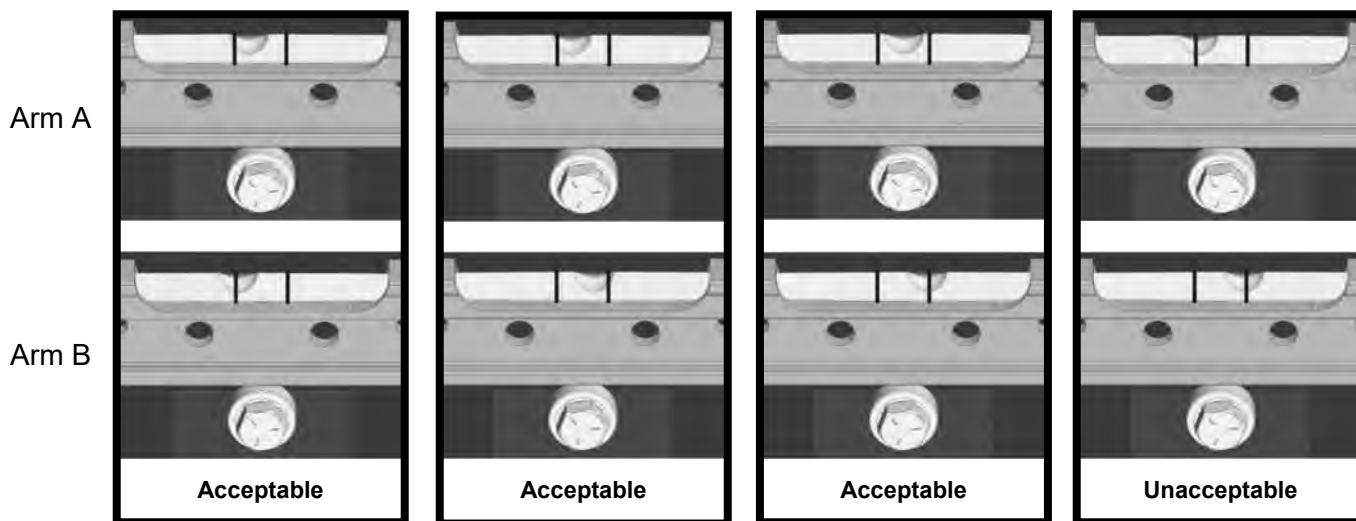
- 1) Rotate the Rotor Arm until it is engaged in the detent roller.
- 2) Select one rotor arm to begin checking level. Position a level across the top of the side bearings. Note the bubble location within the Level Site Window.
- 3) Rotate the next Rotor Arm to the same position. Do Not move to next arm, stay in one position for all readings.
- 4) If all the reading are within limits shown below, no shimming is needed.
- 5) If the bubble is beyond limits shown on any one or all WLH's identify that one with a piece of tape.

See below for shimming procedure.



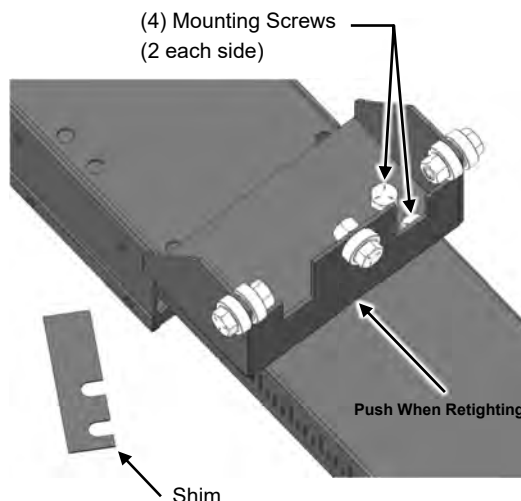
Site Window Maximum Allowable Limits Between Arms (Maximum allowable difference between all Wheel Lock Housings)

Half bubble max between arms



Shimming a Wheel Lock Housing

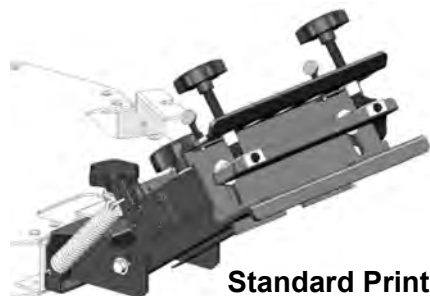
- 1) Identify the most level housing, leave that one tight.
- 2) On the WLH to shim, use a 9/16" wrench and loosen all four mounting screws.
- 3) Slide a shim between the Rotor Arm and the Wheel Lock Housing on the low side.
- 4) Gently push the housing toward the center of the press while retighten the four mounting screws.
- 5) Recheck all Wheel Lock Housing to ensure the are all within approx. 1/2 of bubble level.



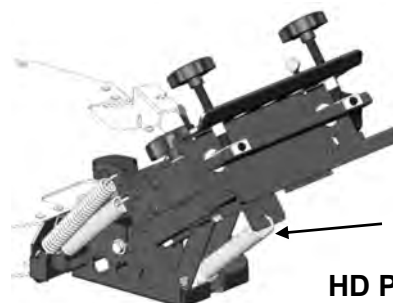
Assembly cont'd

Next step is the installation of the Hinge, Extension Arm, and Print Head. There are two available Print Heads for the V-1000. Both are installed in the same manor, only differing in number of springs and a Kickstand.

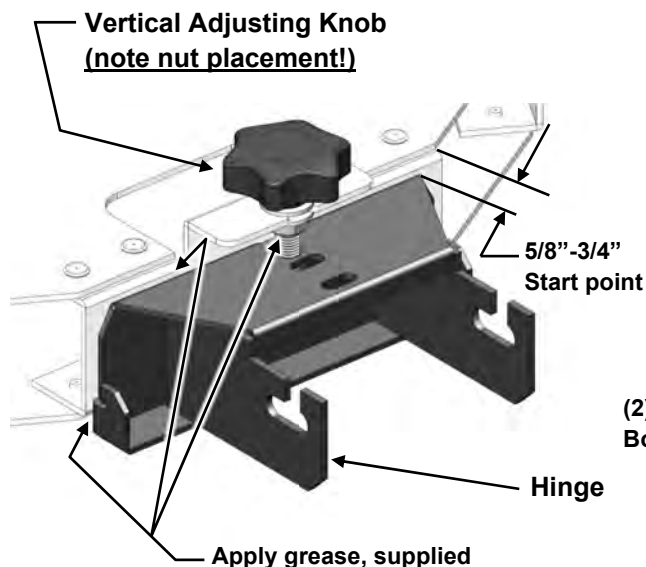
- The Standard Print Head, pictured below on the left, has a single pair of springs used for lifting and holding the Print Head.
- The HD Print Head, pictured below on the right, can have 4 springs at once, as well as a spring loaded Kick stand. The HD Print Head can be used with either 2 springs and the Kickstand, or 4 springs and the Kickstand.



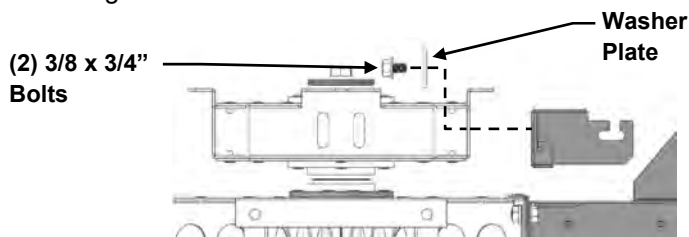
Standard Print Head



Kickstand
HD Print Head

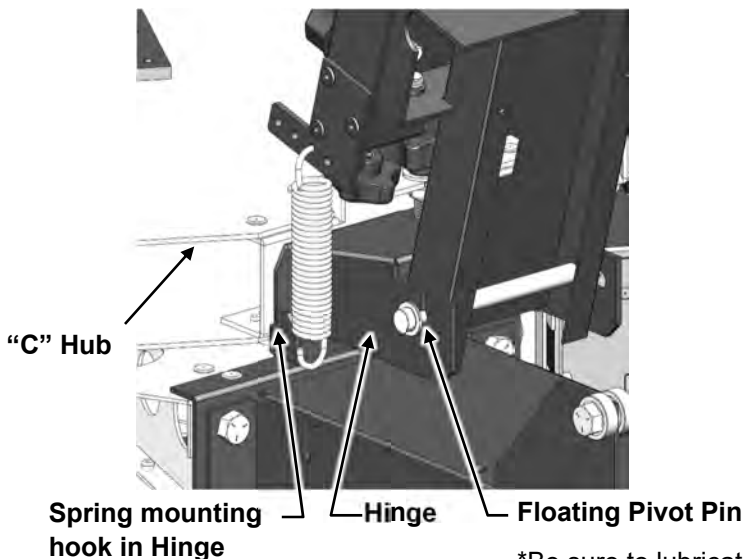


12) The Vertical Adjusting Knob has a pre-installed nut and washer. Screw the knob into the hinge leaving about 3/8" under the nut. Apply grease under the knob and top of nut. Install the Hinge to the "C" hub face plate, apply grease to hinge face and washer plate to help movement up and down. Be sure that the washer and the nut are below the flange on the "C" hub face (as shown). Use two 3/8 x 3/4" bolts and one washer plate to attach the hinge to the "C" hub. Install all Hinges onto the press at this time, be sure to grease all sliding surfaces as mentioned above.



Caution must be taken when installing springs due to the great force they exert when extended.

Standard Print Head Shown



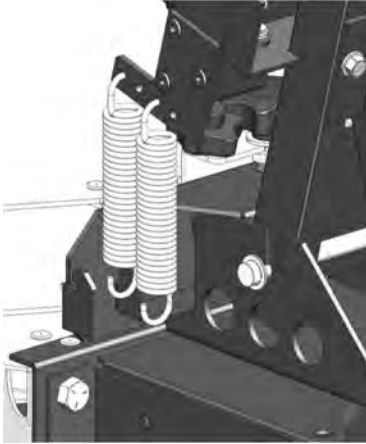
13) The print heads are shipped fully assembled. They need to be installed onto the Hinge. The print heads are held in the raised position with two springs. The first step is to insert both springs into their mounting holes on the print head. Always mount springs from the outside in. Choose the second hole from the bottom for wood or aluminum screens, upper holes for roller frames. Insert the Floating Pivot Pin on the Head into the slot on the Hinge. While tilting the Head back, hook the springs into the Spring mounting hook in hinge as shown on left.

HD Head users: Follow the same instructions for wood and aluminum frames. You will use the same spring position on the Print Head with the inner position on the Hinge. If using oversized frames or the DiGiT, refer to **step 10**.

Be sure to lubricate the pivot pin where it contacts the hinge plate.

Assembly cont'd

14

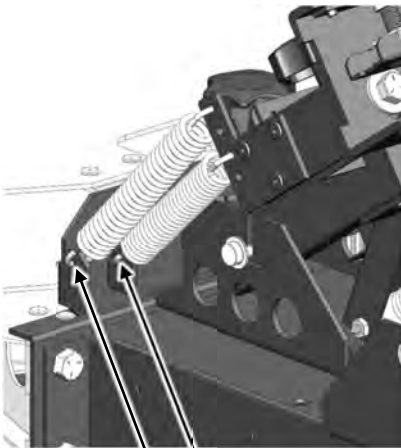


Step 14 & 15 for HD Print Head Only

- 14) If installing the springs for the DiGit Number System or side clamps with roller frames, install the springs as shown. Always hook springs from the outside in (pictured). Remove the upper spring from each side when using wood or aluminum screens.

Caution must be taken when installing springs due to the great force they exert when extended.

15

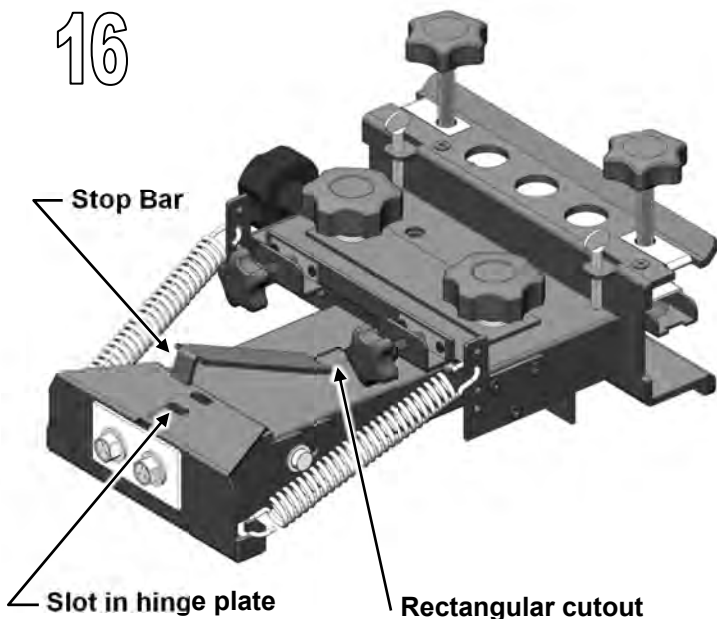


Inner Hook Install First
Outer Hook Install Second

- 15) Tilt the entire assembly back and install the bottom spring (on both sides) into the inner hook on Hinge. Then install the top springs into the outer hook.

Be sure all 4 springs are seated in their holes before moving on. This may require a second person.

16



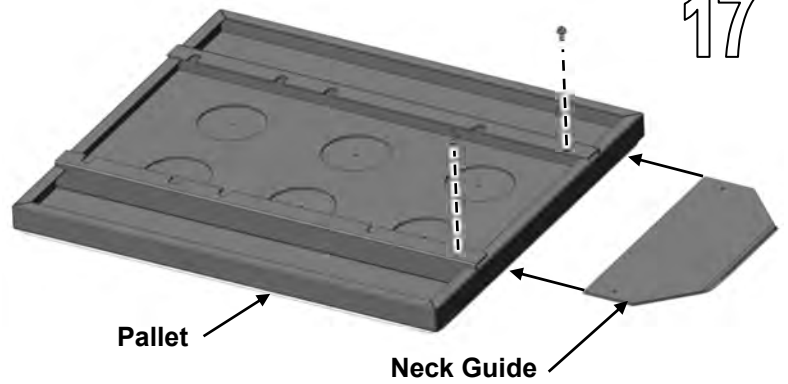
- 16) Lower the print head down over a pallet while insuring all springs stay seated correctly. Once fully in the down position, install the Stop Bar into the slots as shown on the left. The Stop Bar can only be installed one way. It is now safe to raise and lower the print head.

Do Not allow the print head to swing into its raised position unrestrained.

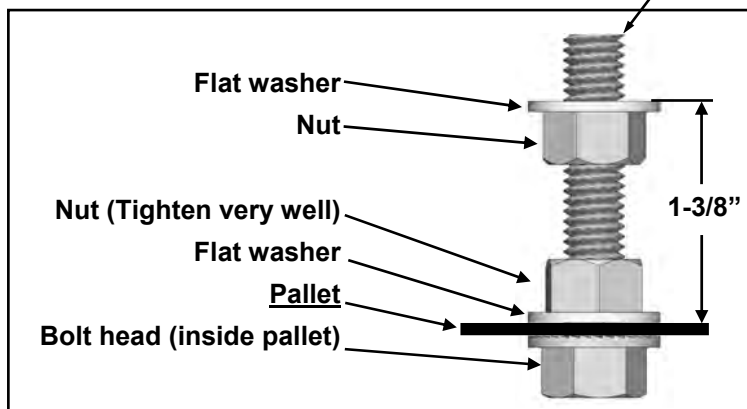
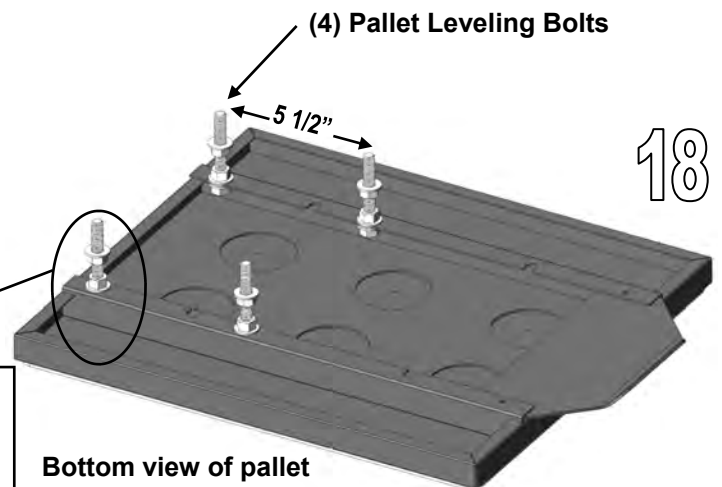
Install all print heads at this time.

Assembly cont'd

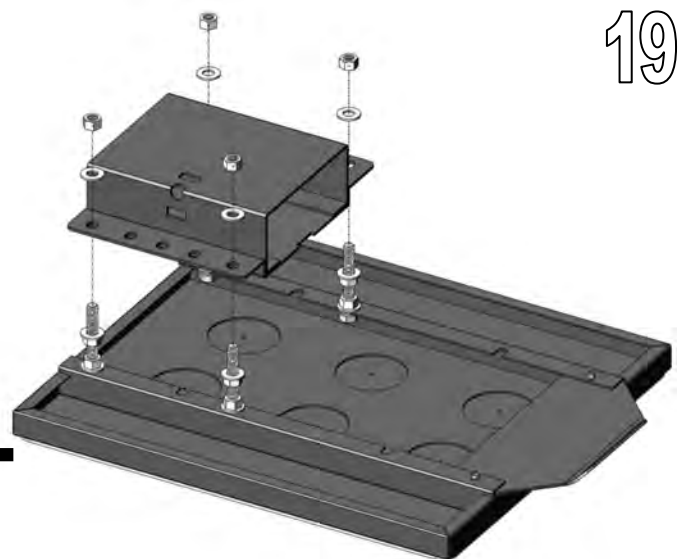
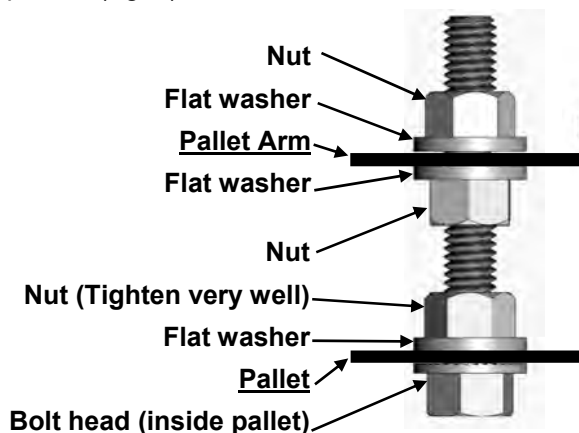
- 17) The Neck Guide attaches to the end of the pallet and aids in the loading of shirts onto pallet. Place pallet, rubber side down on a flat protected surface. If installing the neck guide, slide it into the end of the pallet and secure with two sheet metal screws using a 1/4" wrench. Be careful not to over tighten or cross thread the screws! **Note:** neck guide is needed if using Vastex Jacket Quick Stretch.



- 18) Place one washer onto each 3/8 x 2-1/2"lg. flanged hex bolt. Thread nuts to within 1/4" of bolt head. Slide bolts into open ended slots on bottom of pallet. Use the slots closest to the end of the pallet and 5-1/2" to next bolt. The washer must be on the nut side of slot, to allow the flange of the bolt to grip the metal. Tighten the nuts using two 9/16" open end wrenches, making certain bolts are all the way in their slots. Thread a nut approximately half way onto each bolt as shown on the right.

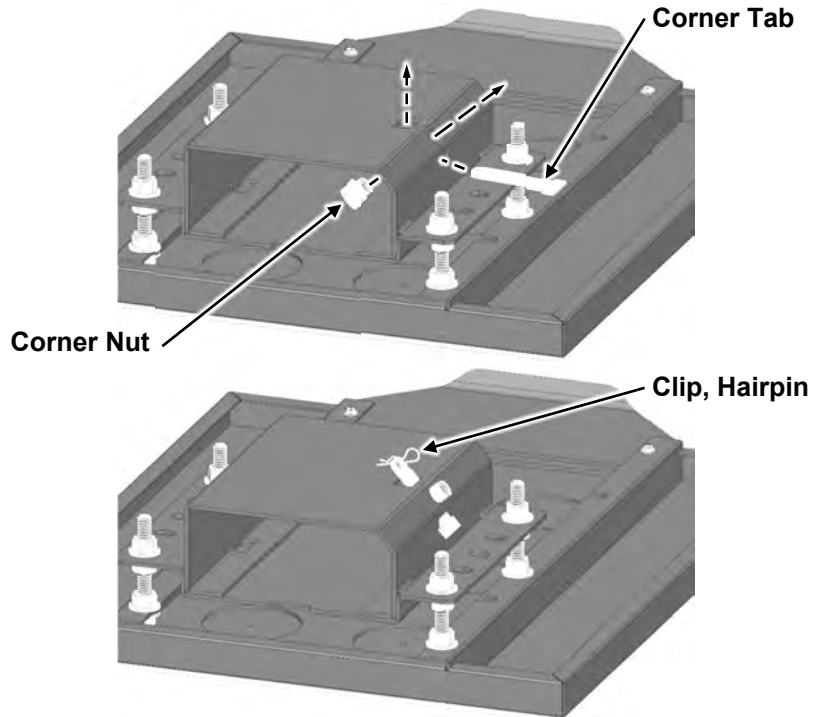


- 19) Assemble the pallet arm onto the pallet using 3/8-16 Nuts and Flat washers, as shown. Leave these nuts loose until you are ready to level the pallets. (Pg14)

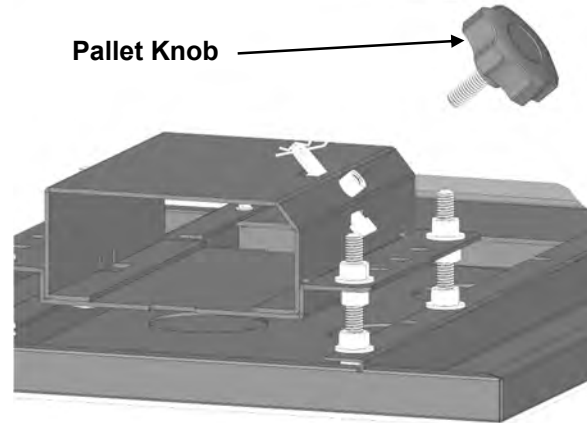


Assembly cont'd

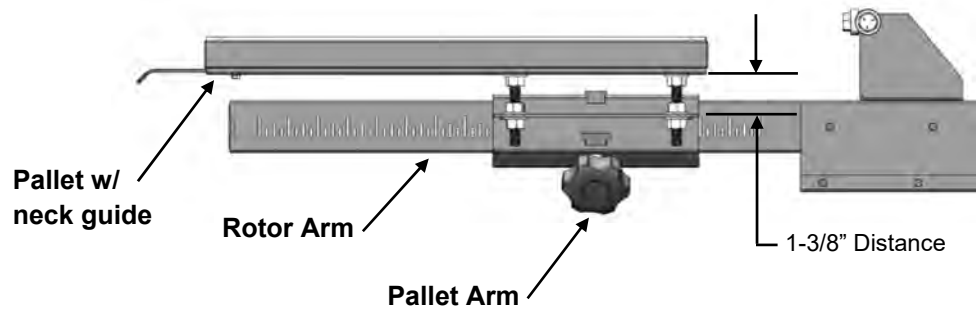
- 20) Install Corner Tab and Corner Nut as shown on right. Then, install Clip, Hairpin to secure Corner Tab in place.



- 21) Install Pallet Knob. Leave loose.



- 22) Install Pallet and Arm onto Rotor Arm. Repeat these steps for each Pallet needing to be assembled.



Continue to Pallet Leveling and Head leveling once each pallet is assembled and installed onto press.

Pallet Leveling

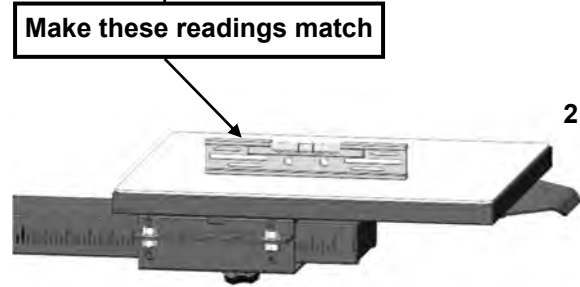
Note: Level only one pallet with the following procedure and mark this pallet as #1. Then level all print heads to this pallet. See Print Head Leveling for instructions.

- 1) First, tighten the pallet arm locking knob. Take a reading from a level placed on the bottom of the pallet arm.

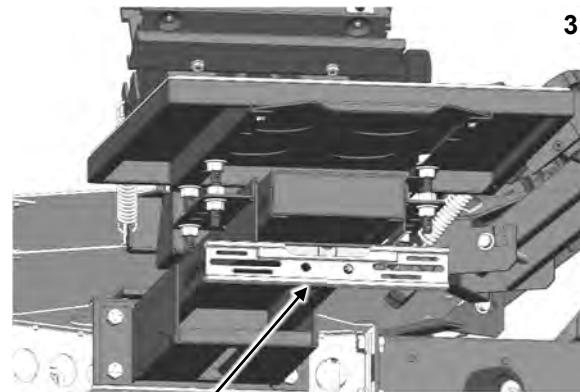
Pallet Adjusting Nuts



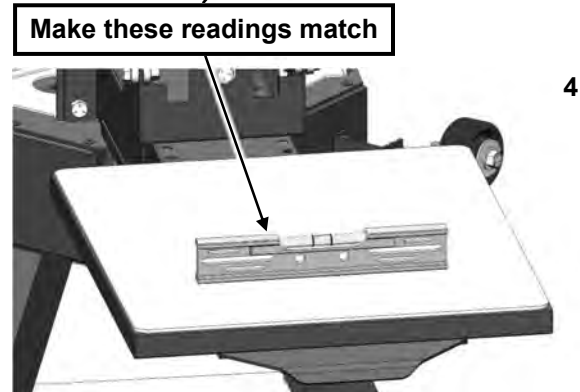
- 2) Move the level to the top of the pallet towards one side. Adjust the pallet to match the reading taken from pallet arm. Move the level to the opposite side and adjust to the pallet arm reading. Recheck both sides after making adjustments.



- 3) Turn level and take a reading on the pallet arm in the other direction.



- 4) Move the level to the top of the pallet towards one side. Adjust the pallet to match the reading taken from pallet arm. Move level to the opposite side and adjust to the pallet arm reading. Recheck both sides after making adjustments.



Note: Recheck level readings in all directions throughout the leveling process. After the pallet is level to the pallet arm, tighten all nuts.

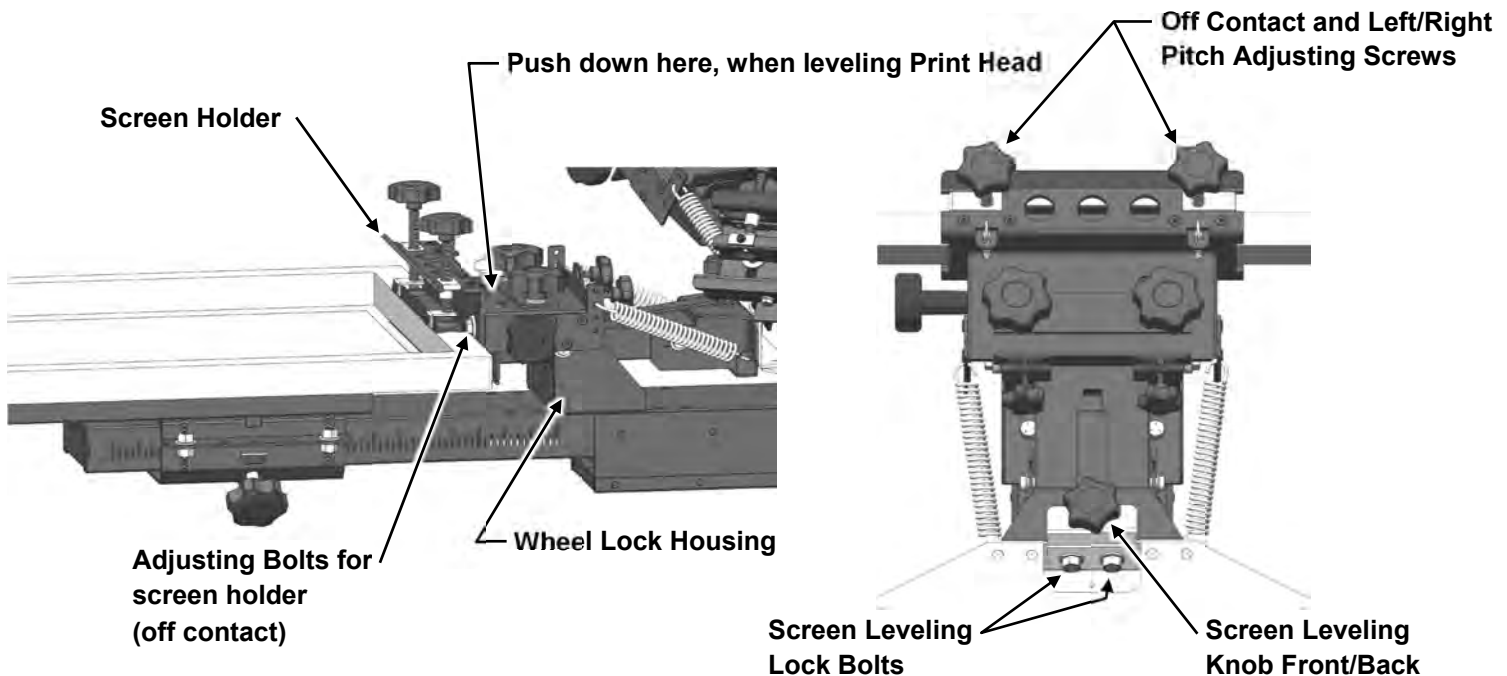
An Improperly leveled pallet may not be flat. Loosen the bolts and re-level the pallet to eliminate any possible warping of the pallet.

Print Head Leveling

Please review Print Head overview to better understand all adjustments.

- 1) Level a Print Head to the #1 pallet. Check that the screen holder is midway in the vertical adjusting slots. Clamp a flat screen in place. Lower the screen and loosen both Screen Leveling Lock bolts approximately 1/2 turn. Be sure to push down firmly on the print head above the Wheel Lock Housing while turning the Screen Leveling Knob. Adjust the screen parallel to pallet front to back. Evenly tighten both lock bolts when the screen is parallel to the pallet, be sure to push down on the head to keep the bearings evenly engaged while tightening.
- 2) After setting the front to back parallel to the #1 pallet, adjust the screen to be parallel left to right. Loosen the Adjusting Bolts for the screen holder about 1/4 turn, using a 9/16" open end wrench. Turn the Off Contact and Left/Right Pitch Adjusting Screws one at a time to set the left/right pitch and off contact amount. You can place spacers on the screen, such as a wooden paint stirrer, to use as a reference to set your off contact and left/right pitch.

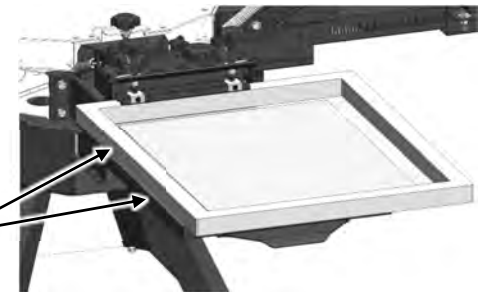
Repeat steps 1 & 2 for all Print Heads.



At this point one pallet has been leveled to its rotor arm and all print heads have been leveled to this pallet. Now we want to adjust the remaining pallets to the leveled print heads while centering the pallets over the rotor arms.

- 3) Insert a flat screen into a print head and align the edge of the screen with the edge of the pallet. Adjust all remaining pallets parallel to the bottom of the screen, as described in steps 21 and 22, and flush with the edge of this screen. Maintain a consistent gap between screen and pallets.

Align side of screen with side of pallet



Your Vastex Printer is now ready for printing shirts.

Lubrication / Maintenance

****V-1000 Press comes with a small bottle of oil, and a tube of grease to maintain your press properly. Please follow all lubrication instructions to prevent premature wear ****

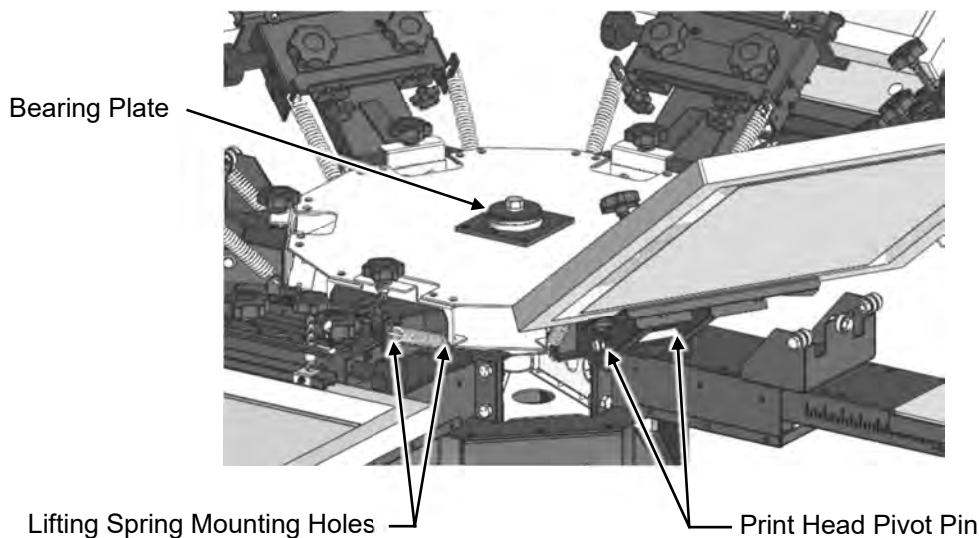
Lubrication

- Main center column bearings can be lubricated with a light oil. Apply oil at the edge of the bearing plate, located at the top center of the printer. This plate holds the top bearing down, which pre-loads all the center bearings. Oil will drip down and lubricate all four bearings. Once per month (under normal daily use) approximately 1/2 oz. of light machine oil can be squirted into the hole. Apply 1/4 oz. and then spin both hubs. Apply the second half and then spin both hubs again. In time oil may be detected seeping out from beneath the lowest bearing and above the stand center box. Clean off as needed.
- Apply a dab of grease to the following locations:
 - Both sides of the print head pivot pin.
 - All adjustment bolts and knob threads. This will ensure ease of movement and prolong their life.
 - Mounting holes for the lifting springs.

Replacement Lubricants can be ordered at Vastex International Inc.

P/N 04-05-300 Oil 4 oz.

04-05-301 Grease 1.5 oz.



Cleaning

- Clean your machine on a daily basis or between each job. Particularly removing lint around moving points and adjustment areas. A clean machine is more likely to be maintained properly than a messy one. Any solvents can be used on the pallet tops for cleaning. The painted surfaces should be cleaned with detergent, like a glass or multi-surface cleaner, to remove lint and dust. Mineral spirits can be used to remove spilled inks.

Inspection

- Inspect your machine on a monthly basis for untimely wear or any other signs of problems. This can be done while lubricating and should take no more than a few minutes. Finding a problem early can reduce the cost of downtime and repair.

Vastex Warranty

Doc#01-00-005D Revised 2/20/2018

(1.) Vastex, hereinafter referred to as "seller" warrants only to its original "purchaser", who holds a copy of the original invoice and is the original end user of the equipment in question, its new equipment against manufacturer defects in materials or workmanship on a pro-rated basis. Warranty period begins from date of shipment to the buyer and will only apply to customers paid in full. Warranty periods are as follows: one (1) year for E-1000, three (3) years for all other complete machines (including F-Flash), fifteen (15) years for infrared heaters (excluding F-Flash) installed by Vastex in a new dryer, three (3) years for replacement infrared heaters, and one (1) year for replacement parts. Rubber blankets, light bulbs and glass on exposure units are particularly subject to wear while in use. Wear is not covered by this warranty but as stated above only manufacturers defects are covered. All sales made through Vastex dealers must be certified by that dealer before a warranty replacement is issued. All equipment is thoroughly tested and inspected before packaging. This warranty does not cover minor cosmetic damages that occur during shipment that do not affect the functionality of the equipment.

(2.) This warranty is expressly contingent upon the buyer delivering to seller, at the address below, with all transportation charges prepaid, the part or parts claimed to be defective within the above mentioned warranty periods stated in paragraph one. The defective part or parts will be repaired or replaced at the discretion of Vastex International, Inc. If the equipment in question is less than one (1) year old, it will be shipped to the customer at no charge, with an RGA issued by Vastex for the defective part. The defective part must be shipped back to Vastex freight prepaid within 30 days or the account will be billed. If the equipment is more than a year old, the part will be shipped after we receive the defective part. If it's necessary to expedite the movement of parts and to minimize down time to the buyer, the replacement part shall be supplied on a C.O.D. basis. If testing and analysis of said part by the seller or its supplier discloses that said part is defective, the cost of said part will be refunded to the buyer on a prorated basis.

(3.) Except as otherwise provided herein, the equipment is being sold "as-is". Final determination of the suitability of the equipment for the use contemplated by the buyer, is the sole responsibility of buyer, and seller shall have no responsibility in connection with the suitability.

(4.) All warranties implied by law, including the implied warranties of merchantability and fitness are hereby limited to manufacturer defects in materials or workmanship during the warranty period stated in paragraph one. The express warranty and remedies contained herein and such implied limited warranties are made solely to the sole warranties and remedies and are in lieu of all other warranties, guarantees, agreements, and other liabilities, whether express or implied, and all other remedies for breach of warranty or any other liability of seller, in no event shall seller be liable for consequential damages.

No person, agent, distributor, or service representative is authorized to change, modify or extend the terms hereof in any manner whatsoever.

These terms and conditions are an essential part of the transaction between the parties and constitute the entire agreement between them with respect to the same.

Some states do not allow limitation on how long an implied warranty lasts of the exclusion or limitation of incidental, or consequential damages, so the above limitation may not apply to you.

This warranty gives you specific legal rights, and you may also have other rights which vary from state to state.

Infrared heaters are the only replacement parts covered for a period of (3) years from date of shipment and contingent to receipt of payment in full.

Electrical components cannot be returned once installed unless proven defective.

Please refer to doc. 01-00-015 for specific terms and conditions of sale and the limited warranty.

Please refer to doc. 01-00-017 for V-2000HD printer warranty.

Updates: V1000 to 3 year warranty 01/09/12, Heater warranty to 15 years 01/02/2012.

TERMS AND CONDITIONS OF SALE AND LIMITED WARRANTY Doc.#01-00-015

1. Buyer's order will constitute an offer in accordance with the terms hereof and such offer, upon acknowledgment of Seller, will constitute the agreement between Buyer and Seller. Buyer's order after such acknowledgment by Seller will not be subject to cancellation, change or reduction in amount, or suspension by Buyer of deliveries, unless prior to such action Buyer has obtained Seller's written consent. Notwithstanding anything to the contrary in Buyer's Purchase Order or other communications, the parties agree to be bound by these Terms and Conditions. Acceptance of the product by the Buyer shall be deemed to constitute unconditional acceptance of these Terms and Conditions.
2. Any of these terms, conditions and provisions of Buyer's order which are inconsistent with Seller's acknowledgment and these Terms and Conditions of Sale shall not be binding on the Seller and shall be considered not applicable to any sale so made. No waiver, alteration or modification of any of the provisions on either side of the document shall be binding upon Seller unless agreed to in writing by Seller.
3. (a) All prices are F.O.B. Seller's Plant and method of delivery and routing shall be at Seller's discretion, unless specifically otherwise stated herein. Notwithstanding any agreement to pay freight, delivery of products purchased hereunder to a common carrier or licensed trucker shall constitute delivery to Buyer and be determinative of the date and time of shipment and all risk of loss or damage in transit shall be borne by Buyer. If the Buyer fails to accept the goods from the common carrier or licensed trucker, the Seller shall be entitled to claim payment from the Buyer. Seller shall arrange for storage, the risk and the cost, including insurance costs, to be borne by the Buyer (and Buyer agrees to pay such amounts upon demand) except if the failure to accept delivery is due to any of the exceptions noted in Paragraph 4.
(b) Terms of payment shall be as stated on invoice.
4. It is understood that deliveries will be made in accordance with Seller's regular production schedule. Every reasonable effort will be made to meet the Buyer's required delivery dates but Seller will not be liable for damages or be deemed to be in default by reason of any failure to deliver or delay in delivery due to any preference, priority, allocation or allotment order issued by the Government, whether Federal, State or local, or causes beyond its control including but not limited to, Acts of God or a public enemy, acts of Government, fires, floods, epidemics, quarantine restrictions, strikes, lockouts, freight embargoes, severe weather, unavailability of materials or shipping space, delays of carriers or suppliers or delays of any subcontractors. Should delay in delivery be caused by any of the circumstances mentioned in this paragraph, such extension of the delivery period shall be granted as is reasonable under the circumstances of the case. Should delay be caused by an event not specifically mentioned in this paragraph, damages will be limited to cancellation of the purchase order without penalty, and refund of any monies deposited or prepaid on the purchase order with no liability for any consequential or incidental damages.
5. Seller reserves the right to increase the prices prior to Seller's acceptance of order and/or after expiration of any price quoted by Seller.
6. Unless otherwise stated in writing, Seller's prices do not include sales, excise, value-added or other taxes. Consequently, in addition to the price specified herein, the amount of any present or future sales, use, excise, value-added or other tax applicable to the manufacture, sale, purchase or use of the products hereunder shall be paid by Buyer, or in lieu thereof, Buyer shall provide Seller with a valid tax exemption certificate acceptable to the taxing authorities.
7. Seller reserves the right, at any time, to revoke any credit extended to Buyer because of Buyer's failure to pay for any products when due or for any other reason deemed good and sufficient by Seller and in such event, all subsequent shipments shall be paid for prior to at delivery at Seller's option.
8. (a) SELLER'S LIABILITY SHALL BE LIMITED TO SELLER'S STATED SELLING PRICE PER UNIT OF ANY DEFECTIVE GOODS AND SHALL IN NO EVENT INCLUDE BUYER'S MANUFACTURING COSTS, LOST PROFITS, GOODWILL, OR ANY OTHER SPECIAL, INDIRECT, INCIDENTAL OR CONSEQUENTIAL DAMAGES, ARISING OUT OF THE AGREEMENT, THIS CONTRACT, THE SALE OF THE PRODUCTS TO THE BUYER OR THE USE OR THE PERFORMANCE OF THE PRODUCTS. Seller may at its discretion repair, replace or give the Buyer credit (pro-rated) for such defective products.
(b) Notwithstanding anything herein to the contrary, Seller shall have no liability for alleged defects with the products which are not specified in written notice from the Buyer to the Seller within thirty-six (36) months from the date of shipment of machines. Seller shall pass to Buyer any warranty received by Seller from the manufacturer of Limited Life Components, which in most cases is 12 to 18 months.
(c) Seller shall have no liability under this Limited Warranty unless Buyer has paid in full for the products. Further, this Limited Warranty is expressly contingent on Buyer's delivery to Seller, all costs prepaid, the defective part(s) within thirty-six (36) months of shipment to Buyer, together with a written statement specifying the alleged defect(s). Any replacement part(s) shall be shipped to Buyer on a C.O.D. basis.
(d) SELLER SPECIFICALLY EXCLUDES ALL WARRANTIES, EXPRESSED, IMPLIED OR OTHERWISE, EXCEPT AS STATED EXPLICITLY IN THESE TERMS AND CONDITIONS OF SALE. SELLER DISCLAIMS THE WARRANTY OF MERCHANTABILITY AND FITNESS FOR A PARTICULAR PURPOSE.
9. The remedies herein reserved by Seller shall be cumulative and in addition to any other legal remedies. No waiver of a breach of any portion of this contract shall constitute a waiver of continuing or future breach of such provision or of any other provisions hereof.
10. These Terms and Conditions constitute the entire agreement of the parties. No amendments, changes, revisions or discharges hereof in whole or in part shall have any force or effect unless set forth in writing and signed by the parties hereto. This contract shall not be assignable by Buyer voluntarily by operation of law or otherwise without Seller's written consent.
11. This contract shall be governed and shall be construed according to the domestic laws of the Commonwealth of Pennsylvania.
12. Anything herein to the contrary notwithstanding, any action for alleged breach by Seller of the contract between the parties, including but not limited to any action for breach of the warranties herein set forth, shall be barred unless commenced by Buyer within one (1) year from the date such cause of action accrued.
13. This agreement shall inure to the benefit of and be binding upon the parties hereto, their respective successors and permitted assigns.
14. All notices required by this contract to be given by either party shall be sent in writing or by facsimile and shall be addressed to the last known address of such other party. Notices shall be deemed to have been received on the fifth business day following deposit in the mail.

EC DECLARATION OF CONFORMITY

MANUFACTURER

Company name: Vastex International Inc
Full address: 7 Emery Street
Postal code: 18015-1982
Place: Bethlehem, PA
Country: United States of America

EUROPEAN AUTHORISED REPRESENTATIVE

Which is established in the European Union and has access to the Technical File

Company name: Certification Experts
Full address: Stationsplein 30
Postal code: 1382 AD
Place: Weesp
Country: The Netherlands

DESCRIPTION AND IDENTIFICATION OF THE MACHINERY

Generic name: Commercial (Entry Level) Manual
Screen Printing Press
Function: Textile Screen Printing
Model: [V1] - XX
[V1T] - XX
Serial number: VTX-xxxxx
Commercial name: V-1000 presses

COMPLIANCE

The manufacturer declares that the above mentioned machinery fulfills all relevant provisions of

Machinery Directive 2006/42/EC
Low Voltage Directive 2014/35/EU
EMC Directive 2014/30/EU

*In conjunction with the following harmonised standards
and where appropriate other technical standards and specifications*

for the risk assessment

EN-ISO 12100:2010

for the design and manufacture

EN-IEC 60204-1:2006; EN 574:1997+A1:2008;
NEN-EN 349:1994+A1:2008; NEN-EN 953:1998+A1:2009; NEN-EN-IEC 61000-6-2:2005;
NEN-EN-IEC 61000-6-4:2007/A1:2011

Certifications Experts B.V. in Weesp the Netherlands, has determined the presumption of conformity of the
above mentioned installation with the applicable Directives and standards

Place: Weesp
The Netherlands

Name: Rebecca Brust
Function: Operation and Certification Manager

Date: 1 May 2018

Signature:

