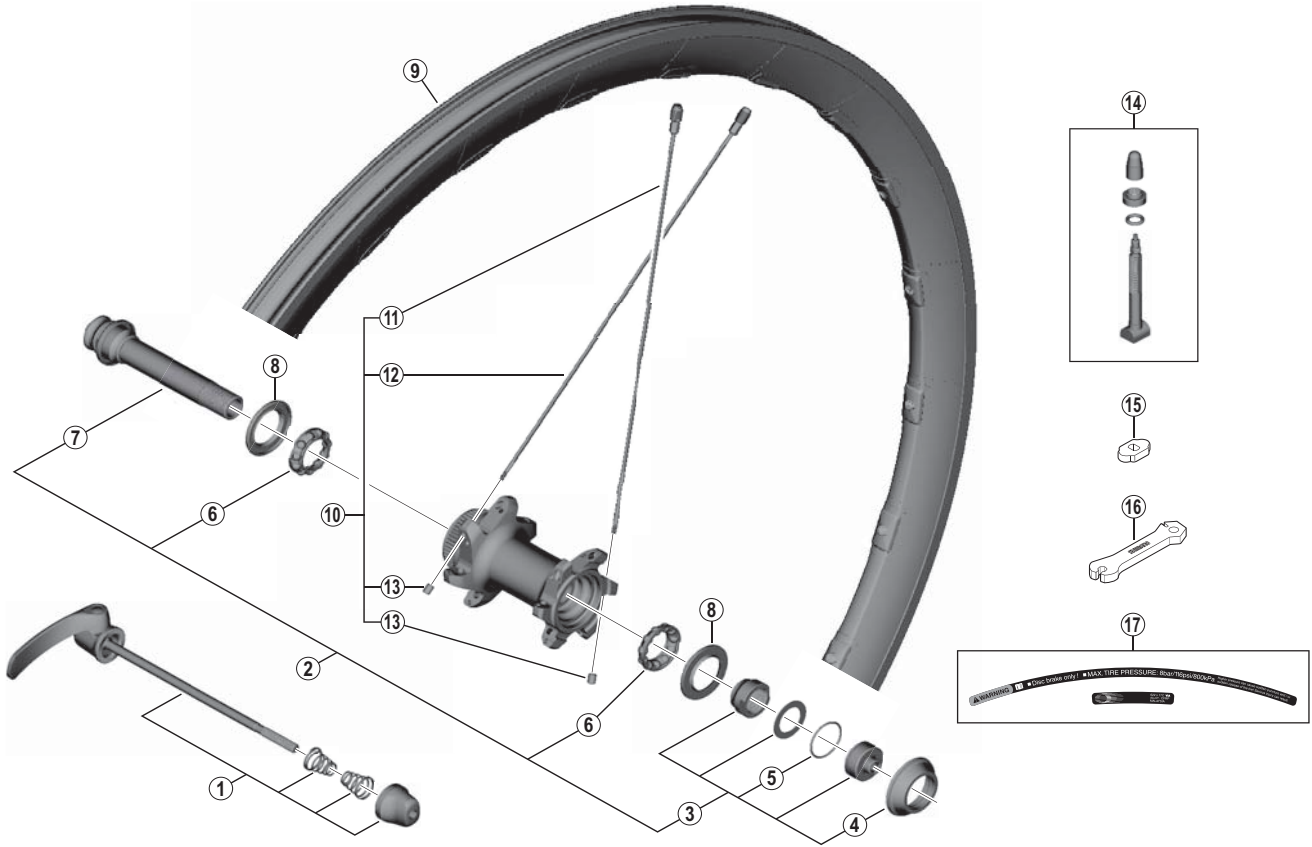


Front Wheel WH-RX830-TL-F



• Over Lock Nut Dimension: 100 mm (3-15/16")

ITEM NO.	SHIMANO CODE NO.	DESCRIPTION	INTERCHANGEABILITY	
			B	A
1	Y2UP98010	Complete Quick Release 133 mm (5-1/4")	B	A
2	Y2UB98020	Complete Hub Axle		A
3	Y26J98020	Lock Nut Unit		A
4	Y26J11000	Dust Cap		A
5	Y26J12000	O-Ring		A
6	Y26J98030	Ball Retainer (3/16")		A
7	Y2UB98030	Hub Axle Unit		A
8	Y26D10000	Seal Ring		A
9	EWHRIM2F4G	Rim {24H}		
10	EWHSPOKE272J	Spoke Unit {Spoke (286 mm x 12 pcs. & 288 mm x 12 pcs.) / Spoke Plug (24 pcs.) / Washer (24 pcs.) / Hub Nut (24 pcs.)}		
* 11	Y48W98010	Right Hand Spoke (288 mm) w/Plug & Washer		
* 12	Y48W98020	Left Hand Spoke (286 mm) w/Plug & Washer		
13	Y4G308100	Hub Nut		A
14	Y47898020	Valve Unit	A	
15	Y4RJ10000	Valve Tool	A	
16	Y4CK19000	Spoke Plug Wrench	A	
* 17	Y48W98030	Rim Sticker Unit		

WH-RS81-C35-TL

HB-CX75

A: Same parts.

B: Parts are usable, but differ in materials, appearance, finish, size, etc.

Absence of mark indicates non-interchangeability.

Specifications are subject to change without notice.

Oct.-2015-3671A

© Shimano Inc. I

SHIMANO