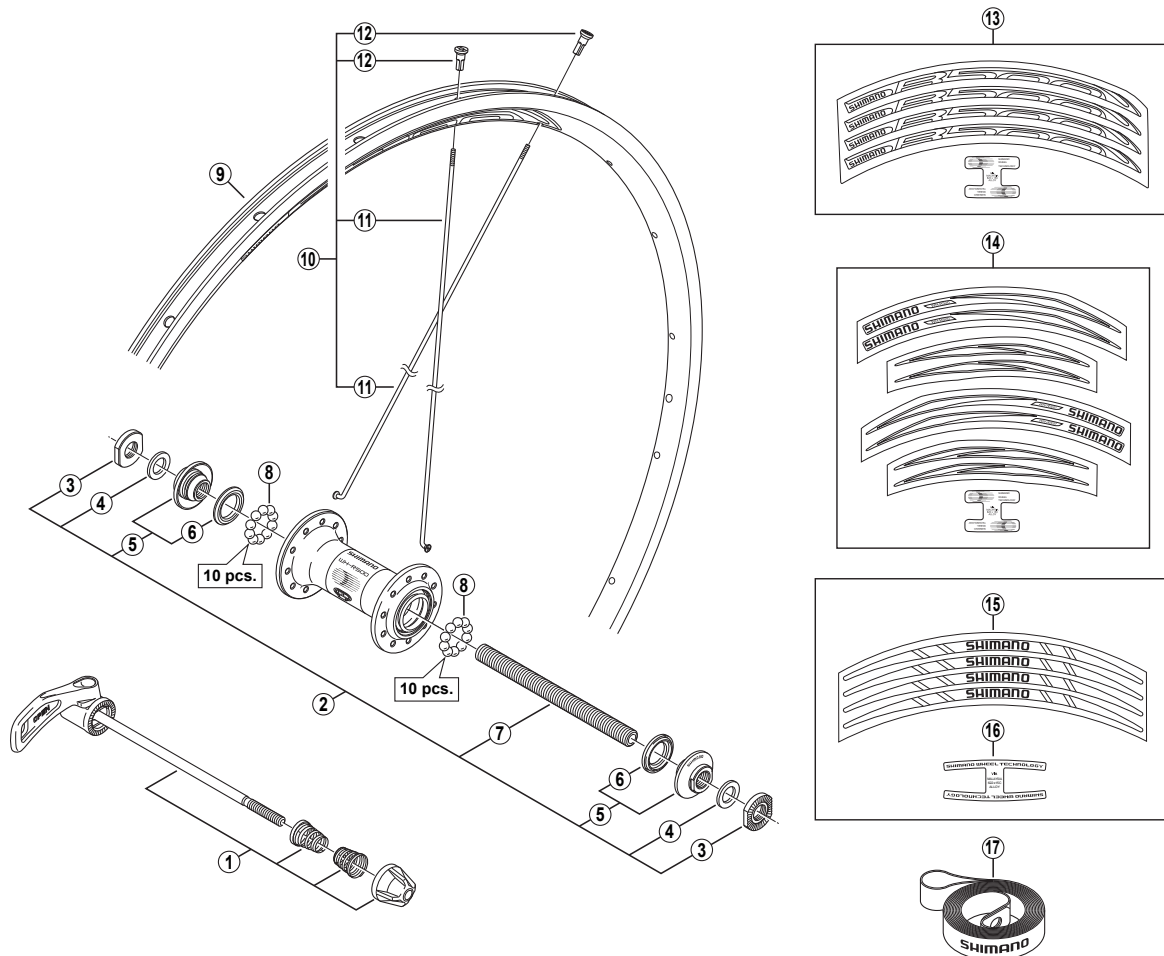


Front Wheel

**WH-R500-N-F**    **WH-R500-F**  
**WH-R500-A-N-F**    **WH-R500-A-F**



• Over Lock Nut Dimension: 100 mm (3-15/16")

ITEM NO.	SHIMANO CODE NO.	DESCRIPTION
* 1	<b>Y-4BG98210</b>	Complete Quick Release 133 mm (5-1/4")
2	<b>Y-4BG98030</b>	Complete Hub Axle 108 mm (4-1/4")
3	<b>Y-21H 08100</b>	Serrated Lock Nut 3 mm
4	<b>Y-301 07000</b>	Washer 1.5 mm
5	<b>Y-4BG98020</b>	Cone (M9 x 12.8 mm) w/Dust Cover & Seal Ring
6	<b>Y-214 06000</b>	Seal Ring
7	<b>Y-21C 03100</b>	Hub Axle 108 mm (4-1/4")
8	<b>Y-000 91210</b>	Steel Ball (3/16") 20 pcs.
*	<b>E-WHRIMNFBCRN</b>	Rim {20H / Anodized / Clincher / Rim Sticker: Red} for WH-R500-N/R500-A-N
*	<b>E-WHRIMNFBCMN</b>	Rim {20H / Anodized / Clincher / Rim Sticker: Monotone} for WH-R500-N/R500-A-N
9	<b>E-WHRIMNFBCR</b>	Rim {20H / Anodized / Clincher / Rim Sticker: Red}
	<b>E-WHRIMNFBCM</b>	Rim {20H / Anodized / Clincher / Rim Sticker: Monotone}
	<b>E-WHRIMNFBC</b>	Rim {20H / Anodized / Clincher / Rim Sticker: Silver}
10	<b>E-WHSPOKEPA1</b>	Spoke Unit for WH-R500-N/R500 {Spoke (278 mm x 20 pcs.) / Nipple (20 pcs.)}
	<b>E-WHSPOKEZA1</b>	Spoke Unit for WH-R500-A-N/R500-A {Spoke (278 mm x 20 pcs.) / Nipple (20 pcs.)}
11	<b>Y-012 3Z785</b>	Spoke (278 mm) for WH-R500-N/R500
	<b>Y-012 34785</b>	Spoke (278 mm/Bladed type) for WH-R500-A-N/R500-A
12	<b>Y-012 Y4341</b>	Nipple
*	<b>Y-4BG98190</b>	Rim Sticker Unit (Red) for WH-R500-N/R500-A-N
* 13	<b>Y-4BG98200</b>	Rim Sticker Unit (Monotone) for WH-R500-N/R500-A-N
	<b>Y-4BG98170</b>	Rim Sticker Unit (Red)
14	<b>Y-4BG98180</b>	Rim Sticker Unit (Monotone)
	<b>Y-4BG98040</b>	Rim Sticker A (Silver) / 1 sheet (4 pcs.)
	<b>Y-4BR50000</b>	Rim Sticker C
* 17	<b>E-WHRIMTAPERA</b>	Rim Tape

0812-2338E