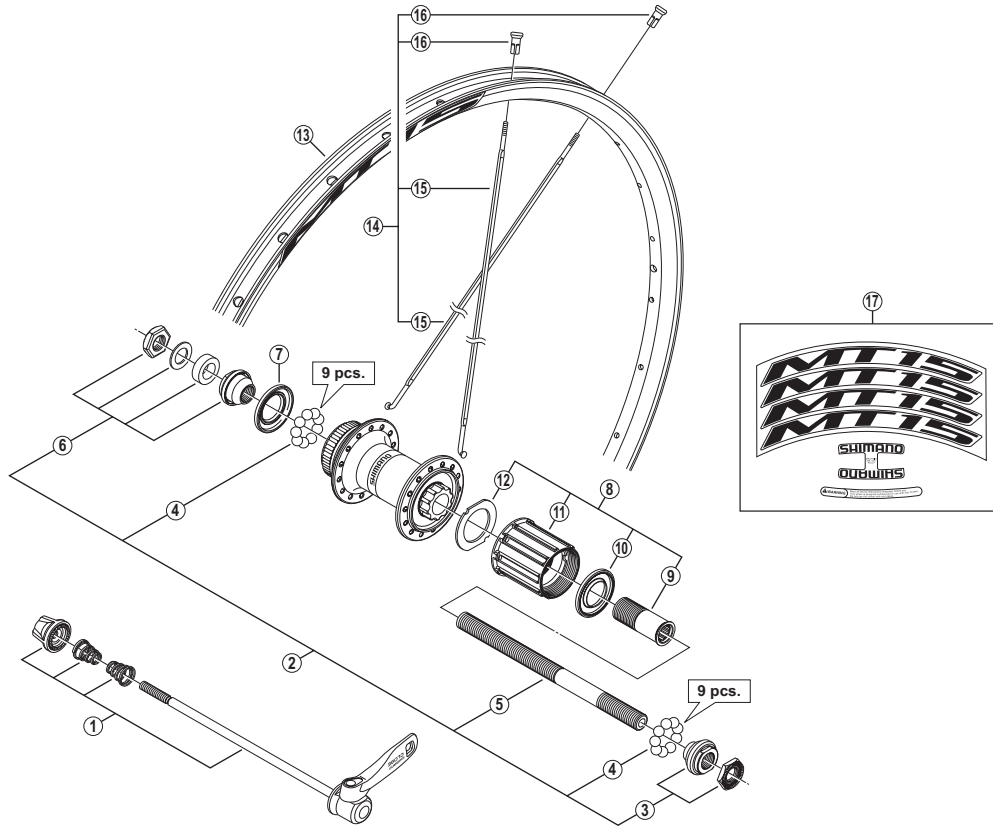


Rear Wheel (8/9/10-Speed)

WH-MT15-R Black Version

WH-MT15-W-R White Version



• Over Lock Nut Dimension: 135 mm (5-5/16")

WH-M505
WH-MT55
FH-M495A

ITEM NO.	SHIMANO CODE NO.	DESCRIPTION	INTERCHANGEABILITY
1	Y3D398010	Complete Quick Release 168 mm (6-5/8")	A A B
2	Y4FL98050	Complete Hub Axle 146 mm (5-3/4")	A
3	Y4FL98060	Right Hand Lock Nut Unit	A
4	Y00091310	Steel Ball (1/4") 18 pcs.	A A A
5	Y30K01200	Hub Axle M10 x 146 mm (5-3/4")	A A A
6	Y4FL98070	Left Hand Lock Nut Unit	A B
7	Y3CR09000	Left Hand Seal Ring	A A
8	Y4FL98090	Complete Freewheel Body	A A
9	Y3BL03000	Body Fixing Bolt	A A A
10	Y3CR08000	Right Hand Seal Ring	A A
11	Y3D698050	Freewheel Body Unit	A A
12	Y3AN10000	Freewheel Body Washer	A A A
13	EWHRIM2FCBCN	Rim for WH-MT15 {28H / Black / Rim Sticker: Standard}	B
	EWHRIM2FCWCN	Rim for WH-MT15-W {28H / White / Rim Sticker: Standard}	B
14	EWHSPOKE2FC1	Spoke Unit {Spoke (254 mm x 28 pcs.) / Nipple (28 pcs.)}	A
15	Y01234547	Spoke (254 mm)	A
16	Y012Y4341	Nipple	A
	Y4FL98100	Rim Sticker Unit (Standard) for WH-MT15	
	Y4FL98110	Rim Sticker Unit (Standard) for WH-MT15-W	
*	Y4FL98130	Rim Sticker Unit (Red) for WH-MT15	
*	Y4FL98140	Rim Sticker Unit (Red) for WH-MT15-W	
*	Y4FL98150	Rim Sticker Unit (Blue) for WH-MT15	
*	Y4FL98160	Rim Sticker Unit (Blue) for WH-MT15-W	
*	Y4FL98170	Rim Sticker Unit (Orange) for WH-MT15	
* 17	Y4FL98180	Rim Sticker Unit (Orange) for WH-MT15-W	
*	Y4FL98190	Rim Sticker Unit (Green) for WH-MT15	
*	Y4FL98200	Rim Sticker Unit (Green) for WH-MT15-W	
*	Y4FL98210	Rim Sticker Unit (High-Tech Grey) for WH-MT15	
*	Y4FL98220	Rim Sticker Unit (High-Tech Grey) for WH-MT15-W	
*	Y4FL98230	Rim Sticker Unit (White) for WH-MT15	
*	Y4FL98240	Rim Sticker Unit (Black) for WH-MT15-W	

A: Same parts.

B: Parts are usable, but differ in materials, appearance, finish, size, etc.

Absence of mark indicates non-interchangeability.

Oct.-2012-2934C

© Shimano Inc. I

Specifications are subject to change without notice.

SHIMANO