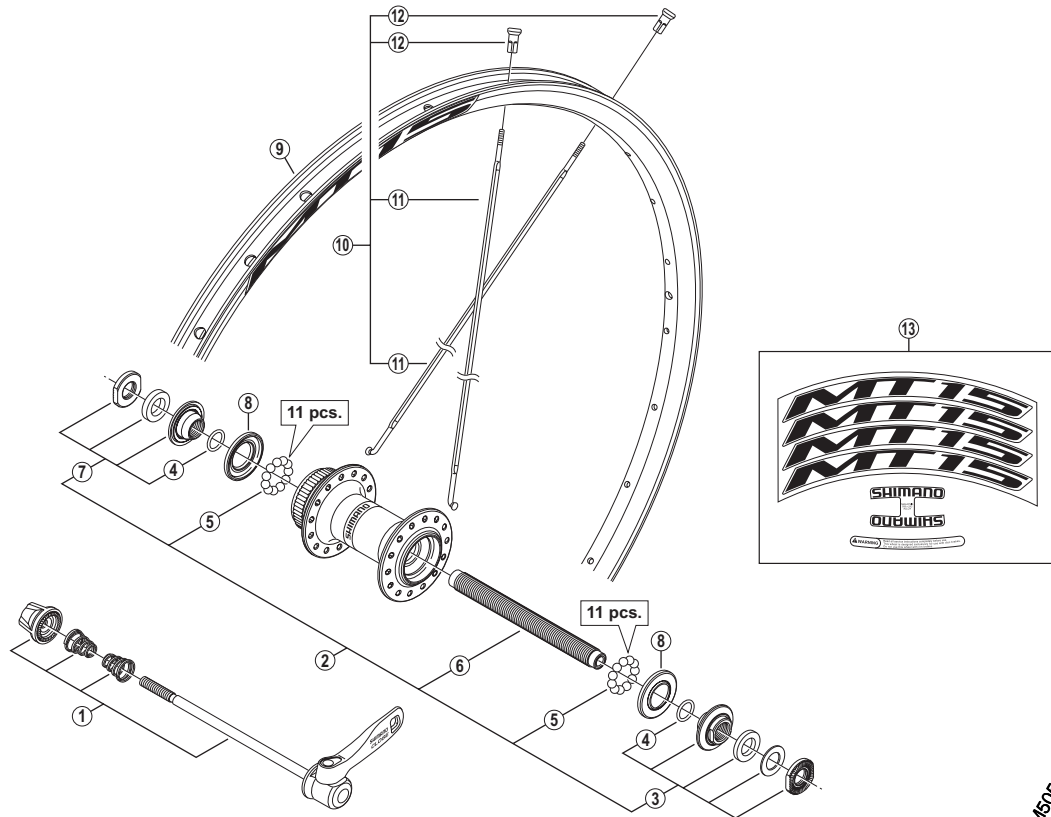


Front Wheel
WH-MT15-F Black Version
WH-MT15-W-F White Version



• Over Lock Nut Dimension: 100 mm (3-15/16")

ITEM NO.	SHIMANO CODE NO.	DESCRIPTION	INTERCHANGEABILITY		
			WH-M505	WH-MT55	HB-M495A
1	Y2ZB98030	Complete Quick Release 133 mm (5-1/4")	A	A	B
2	Y4FL98010	Complete Hub Axle 108 mm (4-1/4")		A	B
3	Y4FL98020	Right Hand Lock Nut Unit		A	B
4	Y2T804000	O-Ring		A	A
5	Y4BB98030	Steel Ball (3/16") 22 pcs.		A	A
6	Y25W03000	Hub Axle M10 x 108 mm (4-1/4")	A	A	A
7	Y4FL98030	Left Hand Lock Nut Unit		A	B
8	Y2TA06000	Seal Ring		A	A
9	EWHRIM2FCBCN	Rim for WH-MT15 {28H / Black / Rim Sticker: Standard}		B	
	EWHRIM2FCWCN	Rim for WH-MT15-W {28H / White / Rim Sticker: Standard}}		B	
10	EWHSPOKE2FC1	Spoke Unit {Spoke (254 mm x 28 pcs.) / Nipple (28 pcs.)}		A	
11	Y01234547	Spoke (254 mm)		A	
12	Y012Y4341	Nipple		A	
	Y4FL98100	Rim Sticker Unit (Standard) for WH-MT15			
	Y4FL98110	Rim Sticker Unit (Standard) for WH-MT15-W			
	Y4FL98130	Rim Sticker Unit (Red) for WH-MT15			
	Y4FL98140	Rim Sticker Unit (Red) for WH-MT15-W			
	Y4FL98150	Rim Sticker Unit (Blue) for WH-MT15			
	Y4FL98160	Rim Sticker Unit (Blue) for WH-MT15-W			
	Y4FL98170	Rim Sticker Unit (Orange) for WH-MT15			
	Y4FL98180	Rim Sticker Unit (Orange) for WH-MT15-W			
	Y4FL98190	Rim Sticker Unit (Green) for WH-MT15			
	Y4FL98200	Rim Sticker Unit (Green) for WH-MT15-W			
	Y4FL98210	Rim Sticker Unit (High-Tech Grey) for WH-MT15			
	Y4FL98220	Rim Sticker Unit (High-Tech Grey) for WH-MT15-W			
	Y4FL98230	Rim Sticker Unit (White) for WH-MT15			
	Y4FL98240	Rim Sticker Unit (Black) for WH-MT15-W			

A: Same parts.

B: Parts are usable, but differ in materials, appearance, finish, size, etc.

Absence of mark indicates non-interchangeability.

Oct.-2012-2933C

© Shimano Inc. I

Specifications are subject to change without notice.

SHIMANO