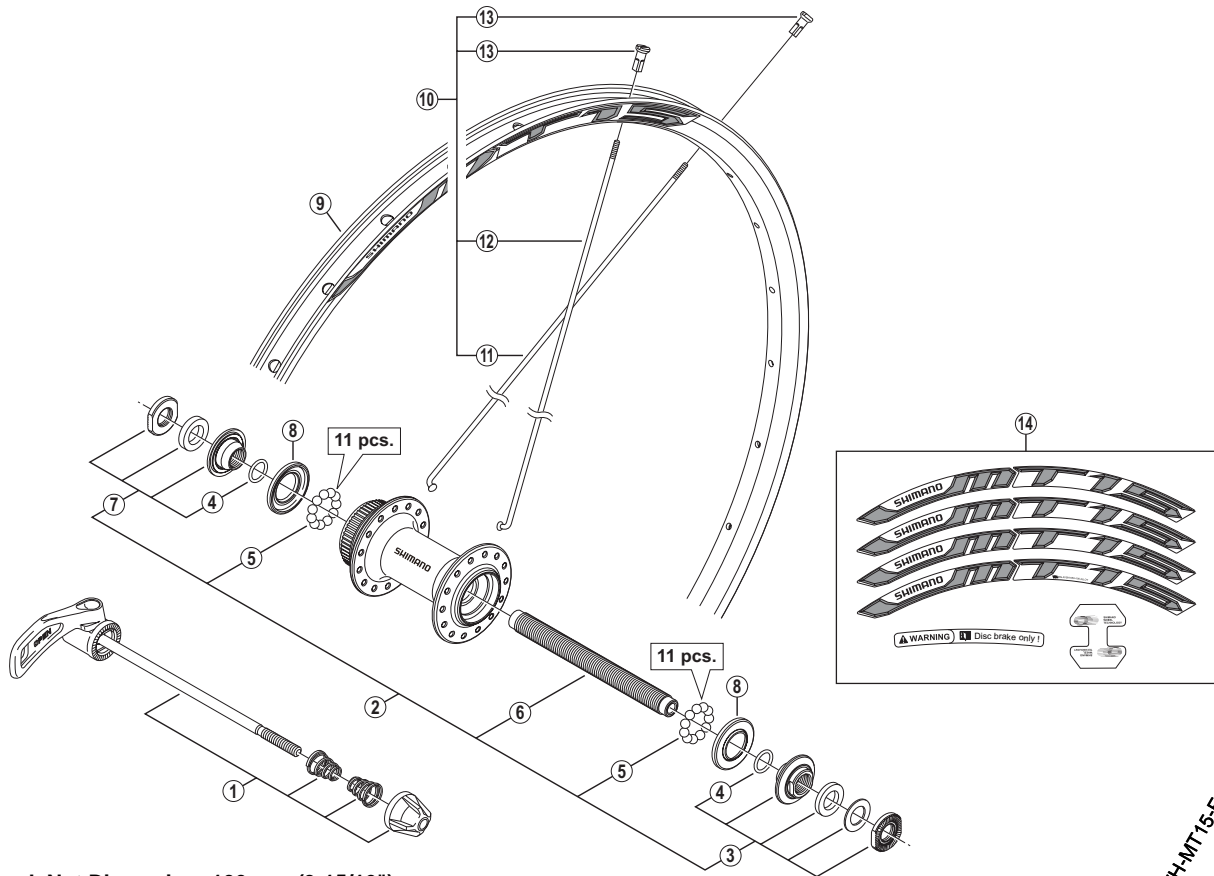


# Front Wheel WH-MT15-A-F-29 Black / White



• Over Lock Nut Dimension: 100 mm (3-15/16")

ITEM NO.	SHIMANO CODE NO.	DESCRIPTION	INTERCHANGEABILITY
1	Y4SK98100	Complete Quick Release 133 mm (5-1/4")	B B
2	Y4FL98010	Complete Hub Axle 108 mm (4-1/4")	A B
3	Y4FL98020	Right Hand Lock Nut Unit	A A
4	Y2T804000	O-Ring	A A
5	Y4BB98030	Steel Ball (3/16") 22 pcs.	A A
6	Y25W03000	Hub Axle M10 x 108 mm (4-1/4")	A A
7	Y4FL98030	Left Hand Lock Nut Unit	A B
8	Y2TA06000	Seal Ring	A A
9	EWHRIM3UCBC	Black Rim {28H / Rim Sticker: Standard}	
	EWHRIM3UCWC	White Rim {28H / Rim Sticker: Standard}	
10	EWHSPOKE3LC1	Spoke Unit {Spoke (287.5 mm x 14 pcs. & 288.5 mm x 14 pcs.) / Nipple (28 pcs.)}	
11	Y42RS3000	Left Hand Spoke (287.5 mm)	
12	Y42RS2000	Right Hand Spoke (288.5 mm)	
13	Y012Y4341	Nipple	A
14	Y42R98010	Rim Sticker Unit (Standard) for Black Rim	
	Y42R98020	Rim Sticker Unit (Monotone) for Black Rim	
	Y42R98030	Rim Sticker Unit (Blue) for Black Rim	
	Y42R98040	Rim Sticker Unit (Orange) for Black Rim	
	Y42R98050	Rim Sticker Unit (Red) for Black Rim	
	Y42R98060	Rim Sticker Unit (Grey) for Black Rim	
	Y42R98070	Rim Sticker Unit (Standard) for White Rim	
	Y42R98080	Rim Sticker Unit (Monotone) for White Rim	
	Y42R98090	Rim Sticker Unit (Blue) for White Rim	
	Y42R98100	Rim Sticker Unit (Orange) for White Rim	
	Y42R98110	Rim Sticker Unit (Red) for White Rim	
	Y42R98120	Rim Sticker Unit (Grey) for White Rim	

WH-MT15-F  
WH-MT35-F

A: Same parts.  
B: Parts are usable, but differ in materials, appearance, finish, size, etc.  
Absence of mark indicates non-interchangeability.

Aug.-2013-3561  
© Shimano Inc. I

Specifications are subject to change without notice.

# SHIMANO