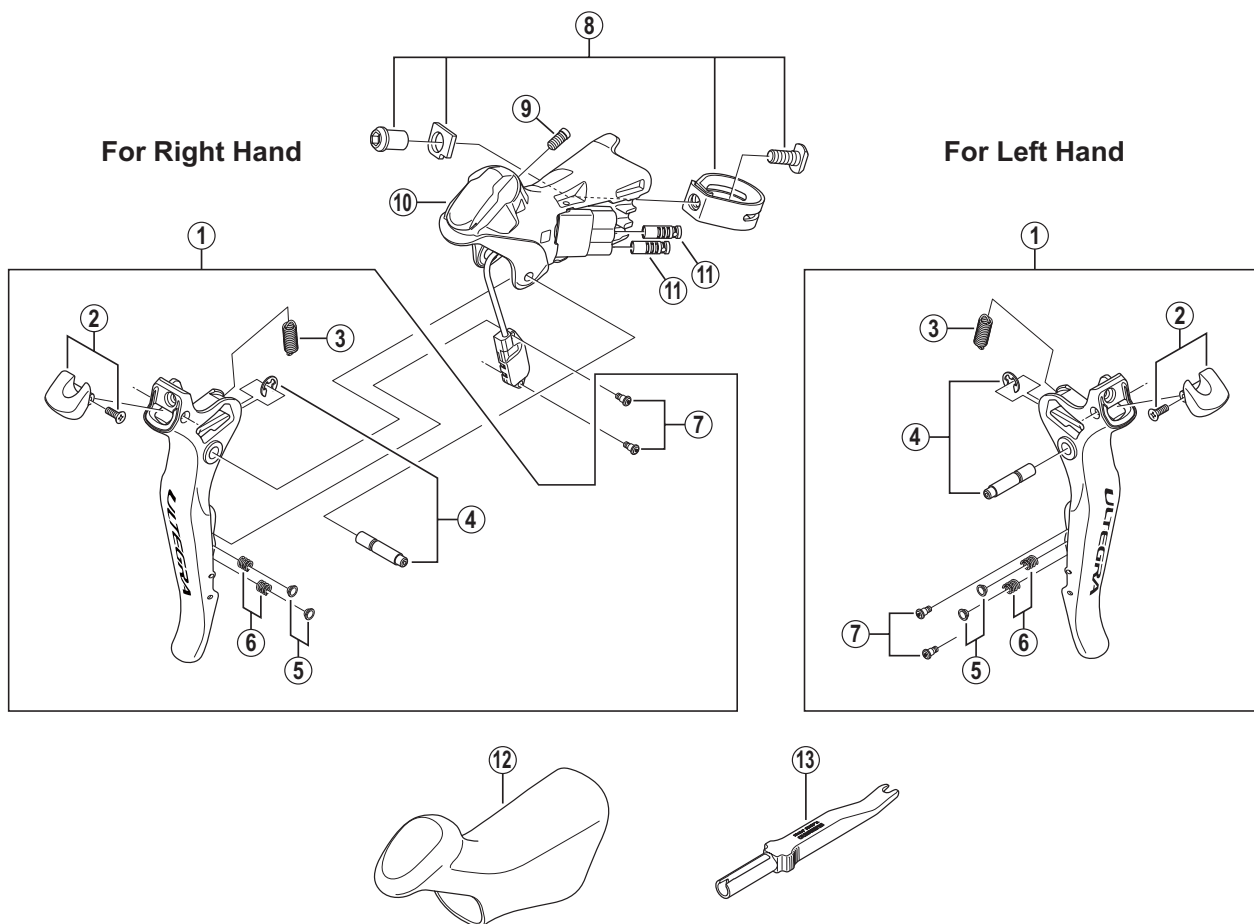


ULTEGRA Dual Control Lever

ST-6870



ITEM NO.	SHIMANO CODE NO.	DESCRIPTION	ST-9070 ST-6770 ST-5705		
			INTERCHANGEABILITY		
1	Y00S98010	R.H. Main Lever Assembly			
	Y00R98010	L.H. Main Lever Assembly			
2	Y00S98020	R.H. Name Plate & Fixing Screw			
	Y00R98020	L.H. Name Plate & Fixing Screw			
3	Y00S000B0	Return Spring			
4	Y00S98030	Lever Axle & E-Ring			
5	Y6RX98070	Switch Spring Button (2 pcs.)	A	A	A
6	Y6RX98080	Switch Spring (2 pcs.)	A	A	A
7	Y6RX98060	Switch Unit Fixing Screw (2 pcs.)		A	A
8	Y00S98040	Clamp Band Unit (ø23.8 mm - ø24.2 mm)		A	A
9	Y00S000A0	Grip Adjusting Screw			
10	Y00S98050	R.H. Bracket			
	Y00R98030	L.H. Bracket			
11	Y6VE15000	Dummy Plug	A	A	A
12	Y00S98060	Bracket Covers (Pair)			
13	Y6VE16000	TL-EW02 Plug Tool	A	A	A

A: Same parts.

B: Parts are usable, but differ in materials, appearance, finish, size, etc.

Absence of mark indicates non-interchangeability.

Sep.-2013-3642

© Shimano Inc. I

Specifications are subject to change without notice.

SHIMANO