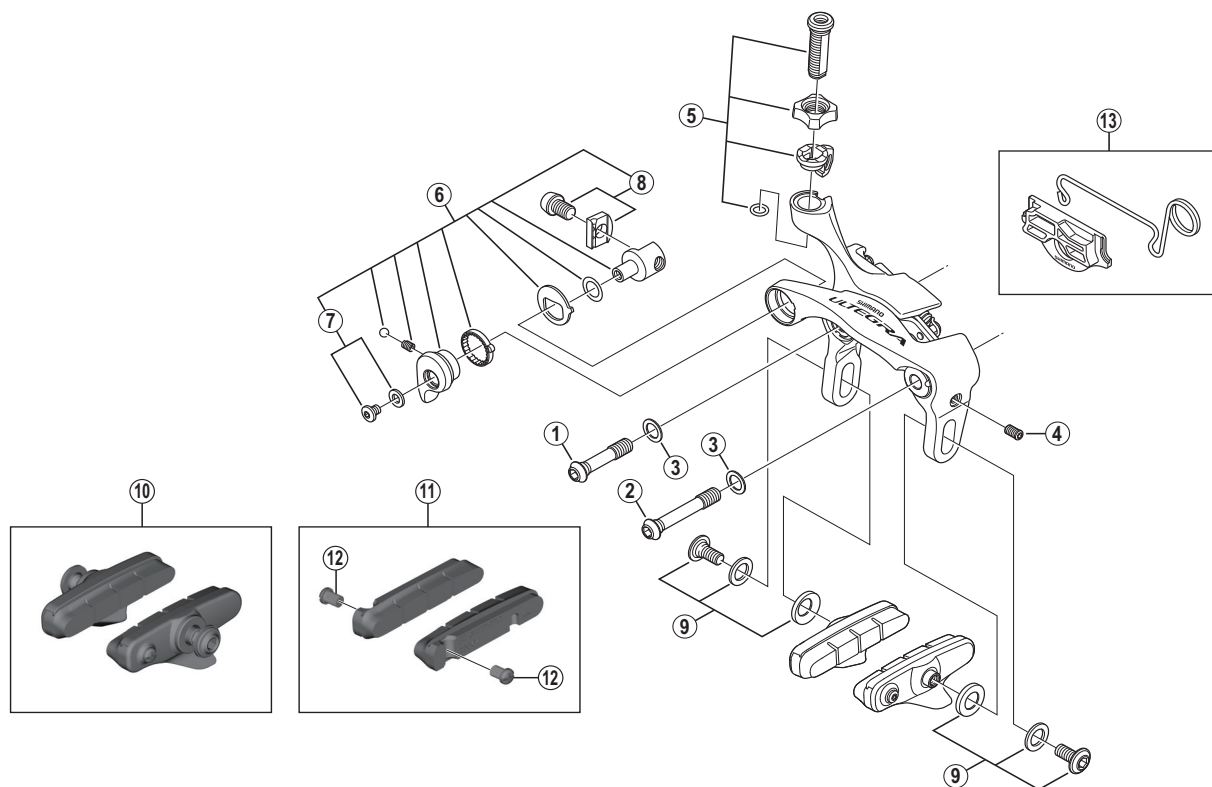


ULTEGRA Caliper Brake

BR-6810-RS



BR-5810-RS

ITEM NO.	SHIMANO CODE NO.	DESCRIPTION	INTERCHANGEABILITY		
1	Y8F902000	Fixing Bolt Y (M6 x 28.9)			
2	Y8F903000	Fixing Bolt C (M6 x 36.8)			
3	Y8LB000M0	Arm Washer			
4	Y8BW11100	Set Bolt	A		
5	Y8L298010	Cable Adjusting Bolt Unit			
6	Y8LA98010	Quick Release Assembly			
7	Y8FA98110	Quick Release Fixing Bolt (M4 x 4.8) & Washer			
8	Y8LA98020	Cable Fixing Bolt & Plate			
9	Y8G698090	Shoe Fixing Bolt Unit (M5 x 11.2)	B		
* 10	Y8LA98030	R55C4 Cartridge-Type Brake Shoe Set (Pair)	B		
	Y8L298060	R55C4 Cartridge-Type Brake Shoes & Fixing Bolts (Pair)	B		
11	Y8L298070	R55C4 Cartridge-Type Brake Shoes & Fixing Bolts (Pair) for Carbon Rim	B		
	Y8L398030	R55C4-1 Cartridge-Type Brake Shoes (-1 mm thinner shoe) & Fixing Bolts (Pair) for Carbon Rim	B		
12	Y8L227000	Fixing Bolt (M4 x 5.5)	B		
13	Y8L398040	Assembly Jig	A		

A: Same parts.

B: Parts are usable, but differ in materials, appearance, finish, size, etc.

Absence of mark indicates non-interchangeability.

Specifications are subject to change without notice.

Dec.-2015-3773A

© Shimano Inc. I

SHIMANO