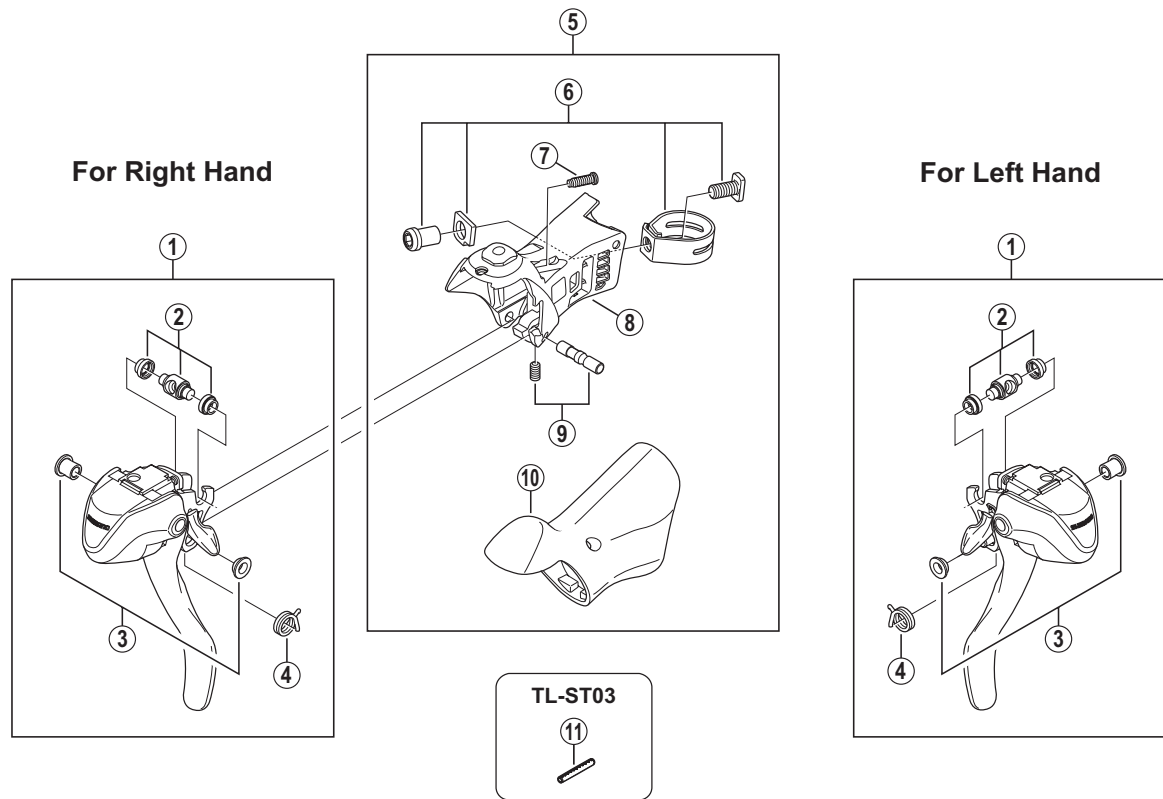


SHIMANO TOURNEY Dual Control Lever ST-A070



ST-2300
ST-2200

ITEM NO.	SHIMANO CODE NO.	DESCRIPTION	INTERCHANGEABILITY
1	Y6WC98010	R.H. Main Lever Assembly	
	Y6WB98010	L.H. Main Lever Assembly	
2	Y6CU98050	Cable Hook Unit	A A
3	Y85Z98010	Lever Axle Bush Unit	A A
4	Y6SF14000	R.H. Return Spring	A
	Y6SG64000	L.H. Return Spring	A
5	Y6WC98020	R.H. Bracket Unit	
	Y6WB98020	L.H. Bracket Unit	
6	Y6K298060	Clamp Band Unit (ø23.8 mm - ø24.2 mm)	A A
7	Y0001003A	Grip Adjusting Screw (M4 x 11.5)	
8	Y6WC89000	R.H. Bracket	
	Y6WC89010	L.H. Bracket	
9	Y6WC98030	Lever Axle & Fixing Screw	A A
10	Y6WC98040	Bracket Covers (Pair)	
11	Y13003200	Return Spring Installation Tool (TL-ST03)	A A

A: Same parts.

B: Parts are usable, but differ in materials, appearance, finish, size, etc.

Absence of mark indicates non-interchangeability.

Apr.-2012-3428
© Shimano Inc. I

Specifications are subject to change without notice.

SHIMANO