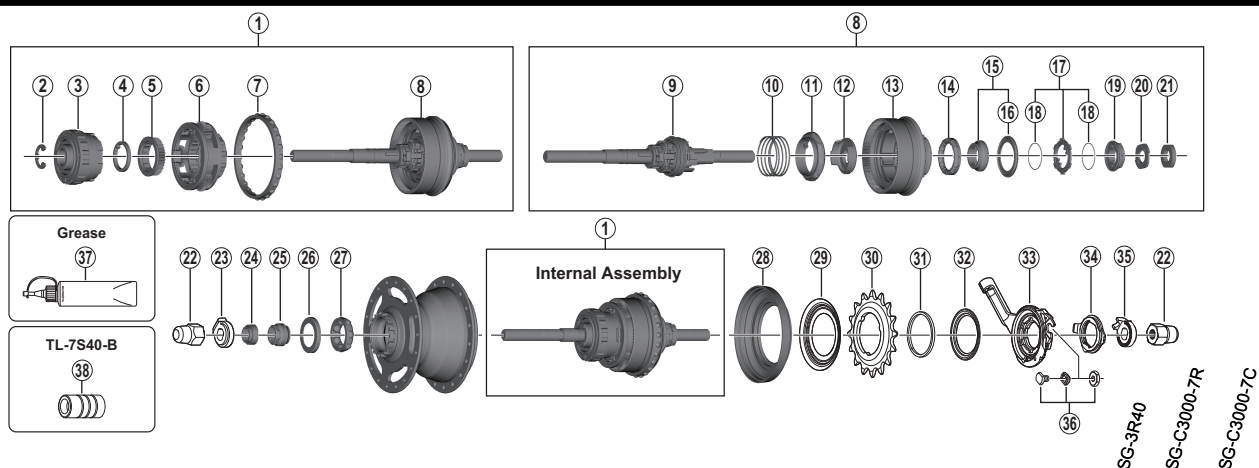


# NEXUS 3-Speed Internal Hub SG-3R75-A



ITEM NO.	SHIMANO CODE NO.	DESCRIPTION	INTERCHANGEABILITY
1	Y39098040	Internal Assembly (Axle Length 174 mm)	
2	Y33Y19000	E-Ring (ø9.6)	A
3	Y39098050	Cam Body Unit	
4	Y38R11000	Sun Gear Guide Ring 2	A A
5	Y38R08000	Sun Gear 2	A A
6	Y39098060	Carrier Unit	A A
7	Y33091800	Ball Retainer M (3/16" x 26)	A
8	Y39098100	Axle & Driver Unit (Axle Length 174 mm)	
9	Y39098140	Axle Unit (Axle Length 174 mm)	
10	Y33024000	Return Spring A	A A
11	Y33Z10000	Gear Shifting Cam	A A
12	Y37P07000	Feed Cam	
13	Y39098150	Driver Unit	A
14	Y33091600	Ball Retainer F (3/16" x 12)	A A
15	Y39098160	Right Hand Cone w/Seal	
16	Y35K07000	Right Hand Cone Seal	A A
17	Y33F98040	Driver Plate w/Seal	A A
18	Y33012000	Driver Plate Seal	A A
19	Y33E98120	Lock Washer	A A
20	Y33Z08000	Stop Washer	A A
21	Y33Z07020	Right Hand Lock Nut (3.4 mm)	A A
22	Y31414010	Cap Nut (3/8")	A A A
23	Y33M39510	Non-turn Washer 5L (Brown)	
	Y33M39610	Non-turn Washer 6L (White)	A A
	Y33M39710	Non-turn Washer 7L (Gray)	
24	Y31Z06020	Lock Nut for Left Hand Cone	A A
25	Y33M37000	Left Hand Cone	A
26	Y31Z07000	Left Hand Dust Cap	A
27	Y32190220	Ball Retainer A (1/4" x 7)	A
28	Y35B05000	Right Hand Dust Cap B	A
29	Y33Z26000	Right Hand Dust Cap C	A A A
30	Y32203200	Sprocket Wheel 16T (Black)	A A A
	Y73T21830	Sprocket Wheel 18T (Black)	
	Y73T21930	Sprocket Wheel 19T (Black)	
	Y73T22030	Sprocket Wheel 20T (Black)	
	Y73T22130	Sprocket Wheel 21T (Black)	
	Y73T22230	Sprocket Wheel 22T (Black)	
31	Y32120100	Sprocket Wheel 23T (Black)	
32	Y32120100	Snap Ring C	B A A
33	Y74Y18000	Driver Cap	A A
34	Y74Y98170	CJ-NX40 Cassette Joint Unit	A A
35	Y37P98100	Cassette Joint Fixing Ring	A A
35	Y33Z20500	Non-turn Washer 5R (Yellow)	
	Y33M39600	Non-turn Washer 6R (Silver)	A A
	Y33M39700	Non-turn Washer 7R (Black)	
36	Y74Y98030	Inner Cable Fixing Bolt Unit	A A
37	Y04120800	Internal Hub Grease (Net. 100g)	A A
38	Y30889000	TL-7S40-B Right Hand Cone Tool	A A

A: Same parts.

B: Parts are usable, but differ in materials, appearance, finish, size, etc.  
Absence of mark indicates non-interchangeability.

Mar.-2015-3818

© Shimano Inc. H

Specifications are subject to change without notice.

# SHIMANO