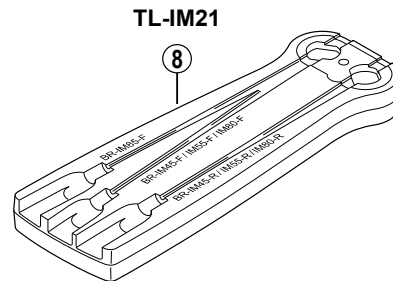
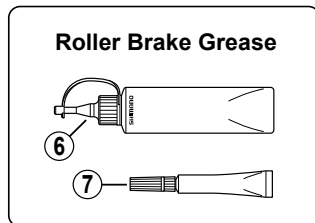
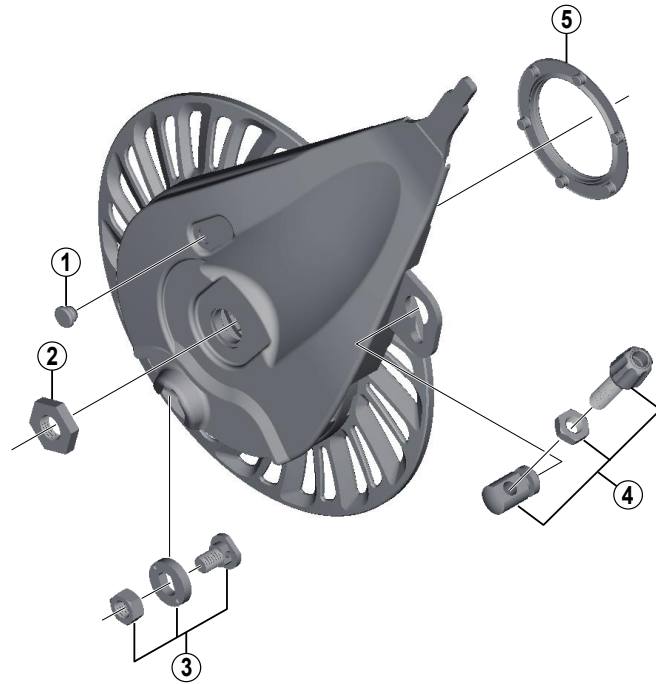


# Nexus Roller Brake BR-C6000-F



ITEM NO.	SHIMANO CODE NO.	DESCRIPTION
1	Y75F11000	Grease Hole Cap
2	Y22V05020	Brake Unit Fixing Nut (M9 x 3.5 mm)
	Y22T05000	Brake Unit Fixing Nut (M10 x 4 mm)
* 3	Y8JJ98010	Inner Cable Fixing Bolt Unit
4	Y8JT98010	Cable Adjusting Bolt Unit
5	Y8G717000	Seal Ring
6	Y04120400	Roller Brake Grease (Net. 100g)
7	Y04140020	Roller Brake Grease (Net. 10g)
8	Y75W98021	TL-IM21 Inner Fixing Tool

Sep.-2015-3741A  
© Shimano Inc. H