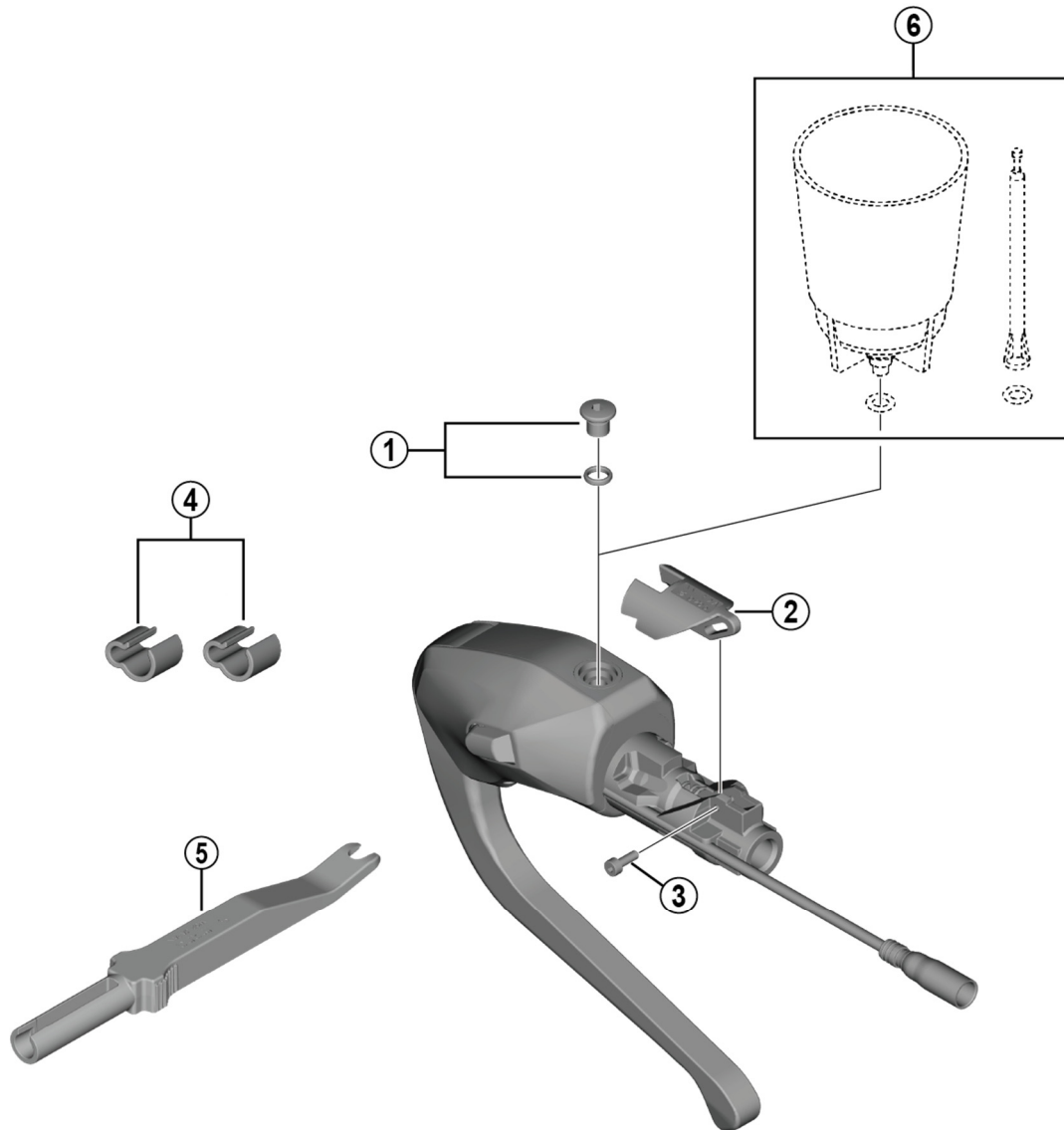


DURA-ACE Dual Control Lever (For Disc Brake)

ST-R9180 (2x11-speed)



ITEM NO.	SHIMANO CODE NO.	DESCRIPTION
1	Y8V398010	Bleed Screw (M5 x 4.7) & O-Ring
2	Y0C400023	Fixed Shoe L
	Y0C400022	Fixed Shoe S
3	Y0C400008	Shoe Bolt (M2)
4	Y71L98010	Clip (2 pcs.)
5	Y6VE16000	TL-EW02 Plug Tool
6	ESMDISCBP	Funnel & Oil Stopper

Jun.-2017-4089
© Shimano Inc. I

Specifications are subject to change without notice.

SHIMANO