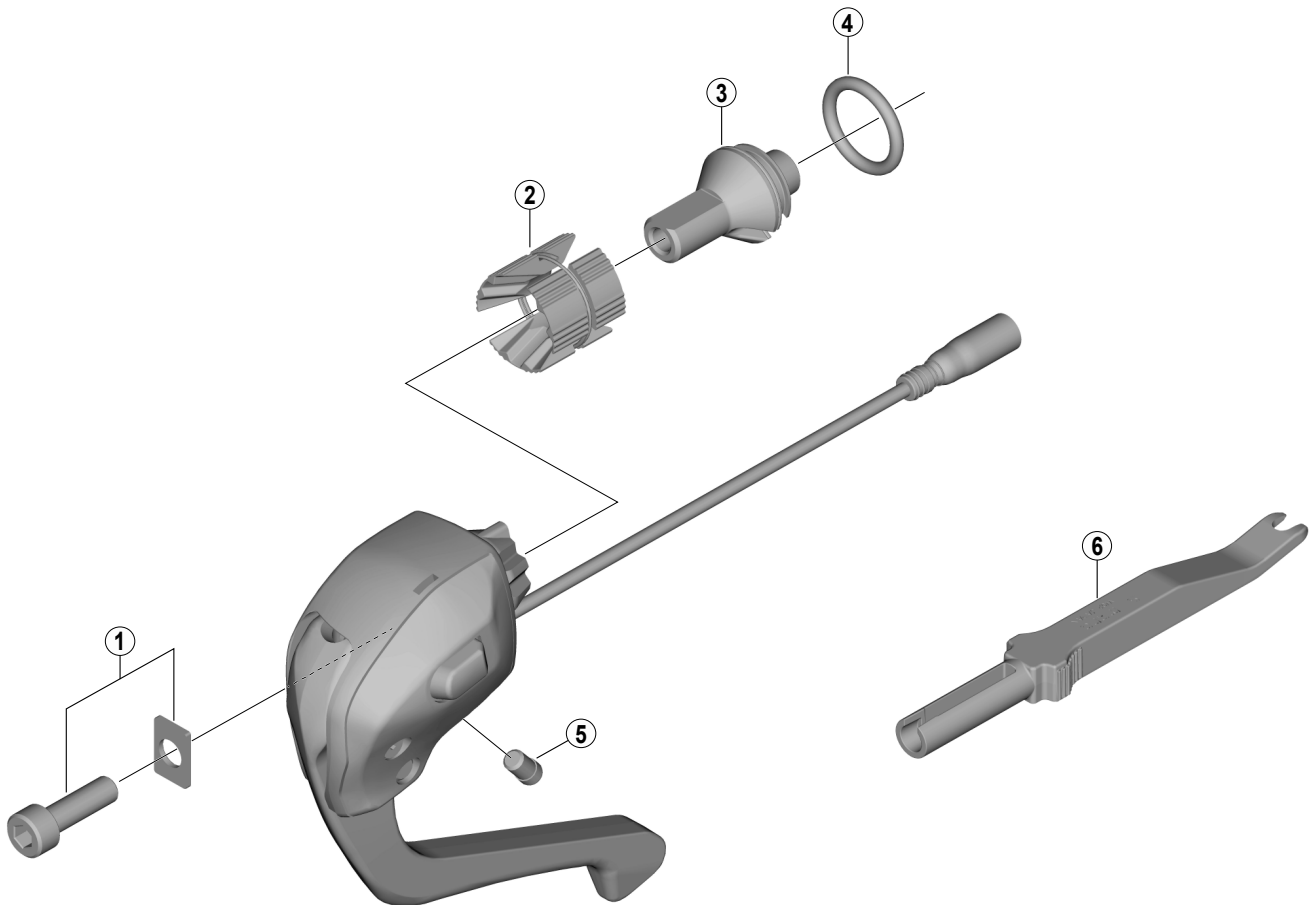


DURA-ACE Dual Control Lever ST-R9160



ITEM NO.	SHIMANO CODE NO.	DESCRIPTION
1	Y0C298010	Clamp Bolt & Bracket Plate
2	Y0C298020	Fixed Shoes (3 pcs.) & Segment Spring
3	Y0C298030	Expander Bolt & Cable Fixing Ring
4	Y0C200040	O-Ring D14
5	Y00U00030	Grip Adjusting Screw
6	Y6VE16000	TL-EW02 Plug Tool

Jun.-2017-4077
© Shimano Inc. I

Specifications are subject to change without notice.

SHIMANO