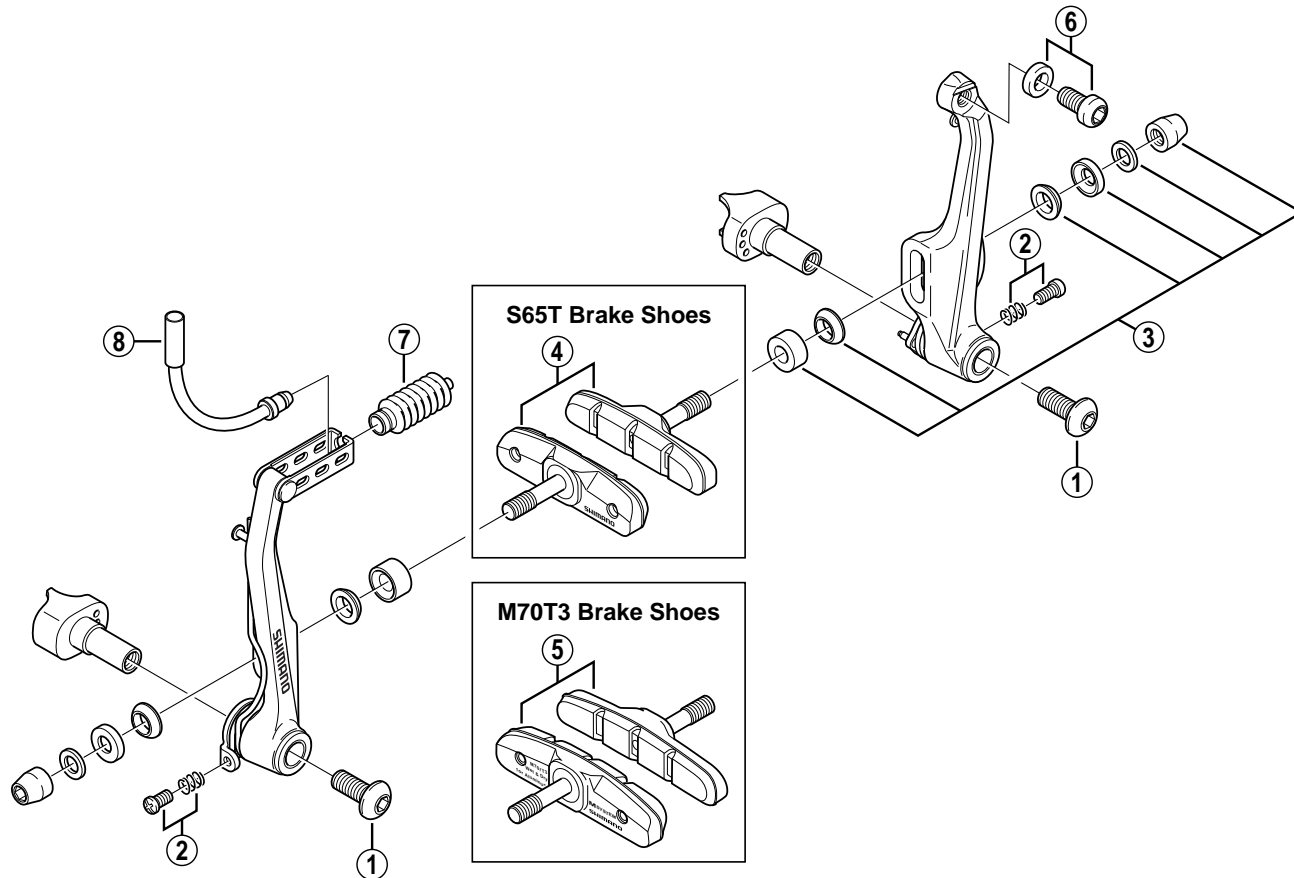


SHIMANO V-Brake
BR-M420-S Silver Version
BR-M420-L Black Version



ITEM NO.	SHIMANO CODE NO.	DESCRIPTION	BR-MC18 BR-M330 BR-T300		
			INTERCHANGEABILITY		
1	Y-84F 10100	Link Fixing Bolt (M6 x 16 / Stainless)			
	Y-82N 18800	Link Fixing Bolt (M6 x 16)			
2	Y-8B0 98010	Spring Tension Adjustment Screw (M4 x 7) & Stopper			
3	Y-8B0 98030	Shoe Fixing Nut Unit	B	B	B
4	Y-8GP 98100	S65T Brake Shoe Set (10 pairs)	B	A	
5	Y-8BM98100	M70T3 Brake Shoe Set (Pair) for M-System	A	A	A
6	Y-8B0 98040	Cable Fixing Bolt (M6 x 11.5 / Stainless) & Plate			
	Y-8B0 98020	Cable Fixing Bolt (M6 x 11.5) & Plate			
7	Y-8BP 14000	Boot	A	A	A
8	Y-8AA 98070	Inner Cable Lead Unit (90°)	A	A	A
	Y-8AA 98080	Inner Cable Lead Unit (135°)	A	A	A
	Y-8AA 98120	Inner Cable Lead Unit (45°)	A	A	A

The table indicates the adaptability of conventional parts to BR-M420-S / M420-L.

9911-1901A

A : Same parts.

B : Parts are usable, but differ in materials, appearance, finish, size, etc.

Absence of mark indicates non-interchangeability.

Specifications are subject to change without notice.

SHIMANO