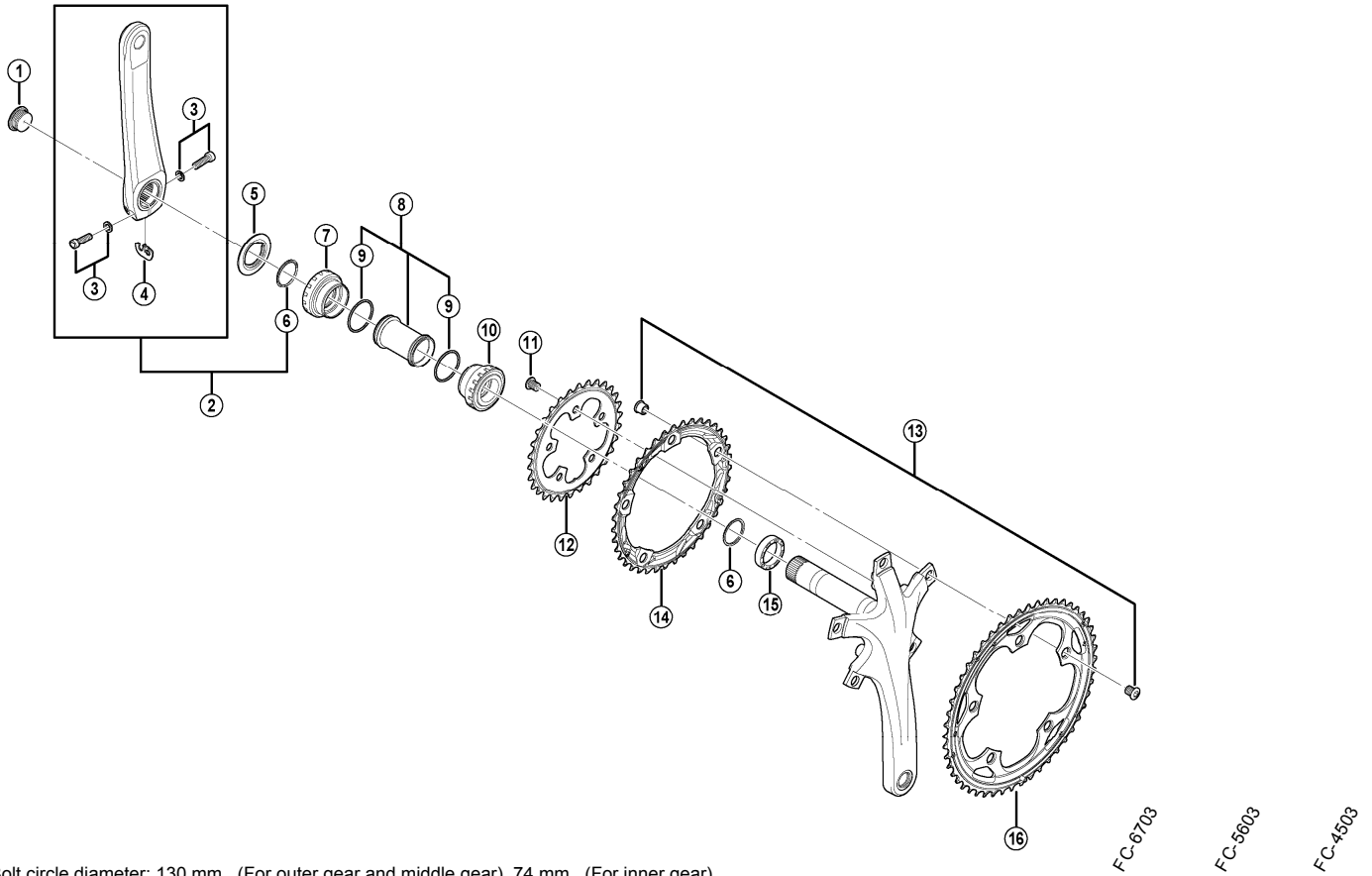


# SHIMANO 105 Front Chainwheel

## FC-5703-S Silver Version

## FC-5703-L Black Version



● Bolt circle diameter: 130 mm...(For outer gear and middle gear), 74 mm...(For inner gear)

ITEM NO.	SHIMANO CODE NO.	DESCRIPTION	INTERCHANGEABILITY		
1	Y1KS13000	Crank Arm Fixing Bolt	A		
	Y1M398010	Left Hand Crank Arm 165 mm (Silver) for FC-5703-S	B		
	Y1M398050	Left Hand Crank Arm 165 mm (Black) for FC-5703-L	B		
	Y1M398020	Left Hand Crank Arm 170 mm (Silver) for FC-5703-S	B		
2	Y1M398060	Left Hand Crank Arm 170 mm (Black) for FC-5703-L	B		
	Y1M398030	Left Hand Crank Arm 172.5 mm (Silver) for FC-5703-S	B		
	Y1M398070	Left Hand Crank Arm 172.5 mm (Black) for FC-5703-L	B		
	Y1M398040	Left Hand Crank Arm 175 mm (Silver) for FC-5703-S	B		
	Y1M398080	Left Hand Crank Arm 175 mm (Black) for FC-5703-L	B		
3	Y1KS98030	Clamp Bolt (M6 x 19) & Washer			A
4	Y1GE98050	Plate	A	A	A
5	Y1GF11000	Spacer (3 mm)	A	A	A
6	Y1F316000	Ring	A	A	A
7	Y1M398090	Left Hand Adapter (B.C.1.37" x 24T) English Thread	B	B	B
	Y1M398100	Left Hand Adapter (M36 x 24T) Italian Thread	B	B	B
8	Y1G398150	Inner Cover & O-Ring	A	A	B
9	Y1TF21000	O-Ring	A	A	A
10	Y1M398110	Right Hand Adapter (B.C.1.37" x 24T) English Thread	B	B	B
	Y1M398120	Right Hand Adapter (M36 x 24T) Italian Thread	B	B	B
11	Y1M498050	Gear Fixing Bolt (TORX <sup>®</sup> ** / M8 x 8.5 / 5pcs.)			B
* 12	Y1M430020	Chainring 30T (Silver) for FC-5703-S		B	
	Y1M430030	Chainring 30T (Black) for FC-5703-L		B	
13	Y1M398170	Gear Fixing Bolt (TORX <sup>®</sup> ** / M8 x 8.5) & Nut (5 sets)		B	B
14	Y1M498010	Chainring 39T-D (Silver) for FC-5703-S			
	Y1M498020	Chainring 39T-D (Black) for FC-5703-L			
15	Y1F913000	Spacer (6.5 mm)	A	A	A
16	Y1M498030	Chainring 50T-D (Silver) for FC-5703-S			
	Y1M498040	Chainring 50T-D (Black) for FC-5703-L			

A: Same parts.

B: Parts are usable, but differ in materials, appearance, finish, size, etc.

Absence of mark indicates non-interchangeability.

Dec.-2010-3004B

© Shimano Inc. A

\*\* TORX is a registered trademark of Camcar LLC.

Specifications are subject to change without notice.

# SHIMANO