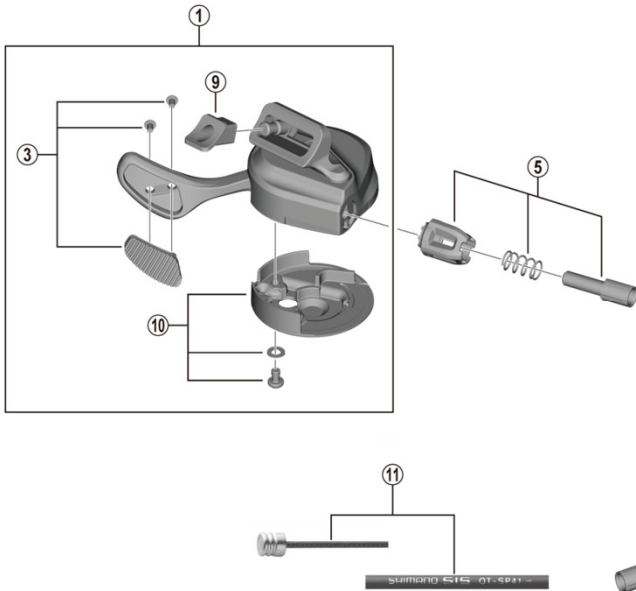


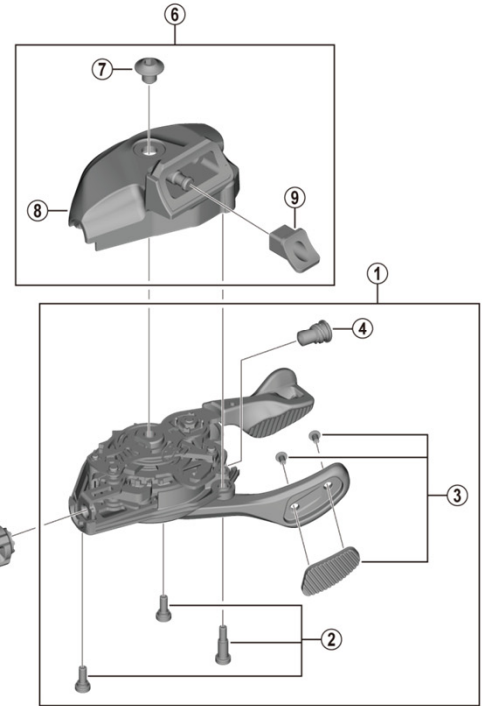
XTR Shifting Lever (I-spec EV)

SL-M9100-I (2x12-speed)

For Left Hand



For Right Hand



ITEM NO.	SHIMANO CODE NO.	DESCRIPTION
1	Y0FA98010	R.H. Shifting Lever Unit
	Y0FB98040	L.H. Shifting Lever Unit
2	Y0FA98020	R.H. Base Cover Fixing Screw Unit
3	Y0FA98030	R.H. Main Lever Pad & Fixing Screws
	Y0FB98020	L.H. Main Lever Pad & Fixing Screws
4	Y0FA05000	R.H. Inner Hole Cap
5	Y06N98040	Cable Adjusting Bolt Unit
6	Y0FA98050	R.H. Cover Unit
7	Y0FA44000	Unit Fixing Bolt
8	Y0FA98060	R.H. Cover
9	Y0FB50000	Integration Nut
* 10	Y0FB98030	L.H. Lever Cap Unit
11	Y01V98110	OT-SP41 Polymer coated shift cable sets (Black) • Sealed outer caps, plastic (2 pcs.) • Sealed outer caps, aluminum (2 pcs.) • Sealed outer caps nose (7 pcs.) • Rubber shields (7 pcs.) • Inner end caps (2 pcs.) • Cover with tongue for front / rear derailleur (2 pcs.)
	Y01V98111	OT-SP41 Polymer coated shift cable sets (White) • Sealed outer caps, plastic (2 pcs.) • Sealed outer caps, aluminum (2 pcs.) • Sealed outer caps nose (7 pcs.) • Rubber shields (7 pcs.) • Inner end caps (2 pcs.) • Cover with tongue for front / rear derailleur (2 pcs.)

Jan.-2019-4392A
© Shimano Inc. I

Specifications are subject to change without notice.

SHIMANO