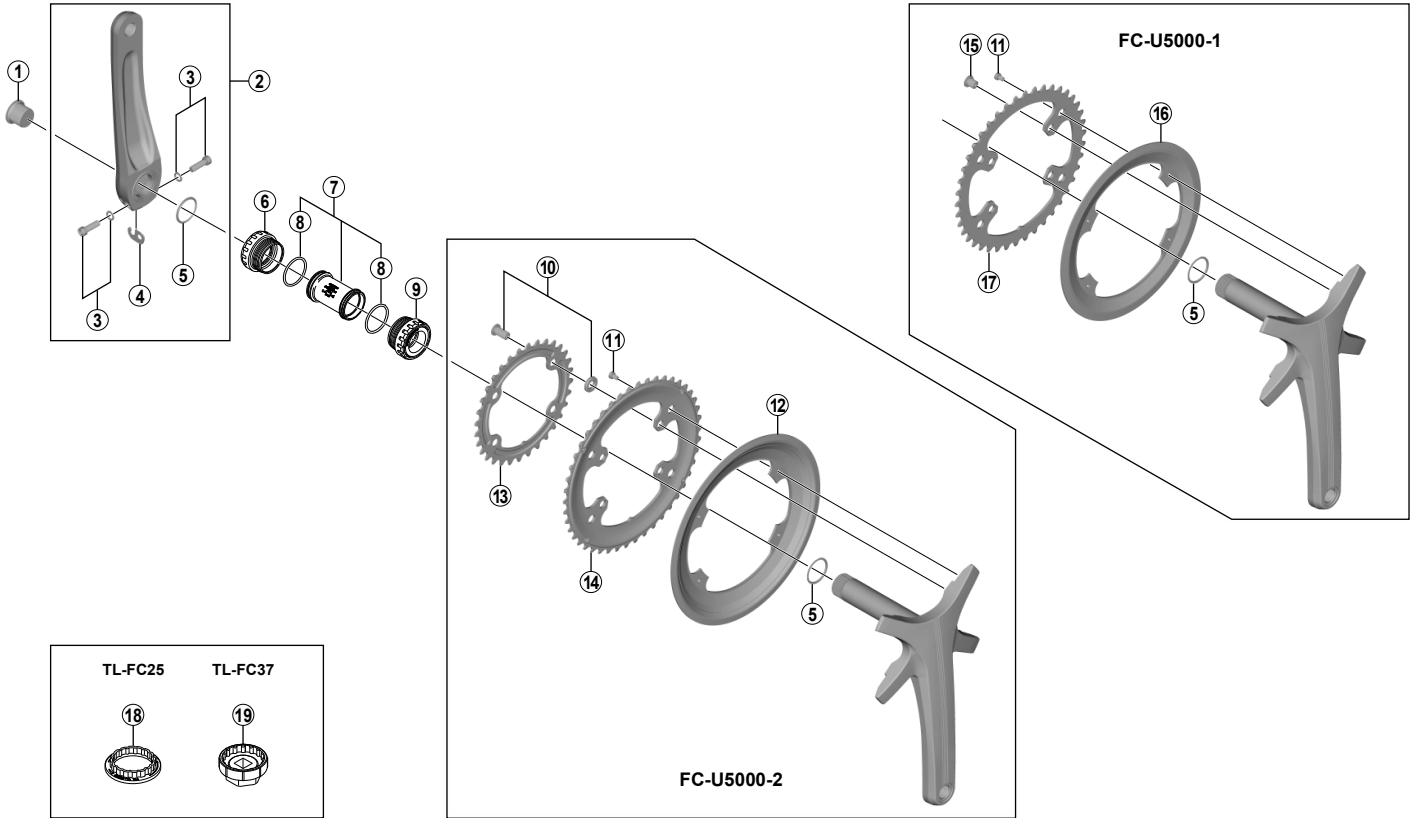


METREA Crankset

FC-U5000-2 FC-U5000-1
SM-BBR60



- Chaining teeth combinations: 46-32T/42T
- Bolt circle diameter: 96 mm

ITEM NO.	SHIMANO CODE NO.	DESCRIPTION
1	Y1P417000	Crank Arm Fixing Bolt
2	Y1RR98010	Left Hand Crank Arm 170 mm
	Y1RR98020	Left Hand Crank Arm 175 mm
3	Y1KS98030	Clamp Bolt (M6 x 19) & Washer
4	Y1GE98050	Plate
5	Y1F316000	Ring
6	Y1P598010	Left Hand Adapter (B.C.1.37" x 24T) English Thread (SM-BBR60)
	Y1P598020	Left Hand Adapter (M36 x 24T) Italian Thread (SM-BBR60)
7	Y1G398150	Inner Cover & O-Ring
8	Y1TF21000	O-Ring
9	Y1P598030	Right Hand Adapter (B.C.1.37" x 24T) English Thread (SM-BBR60)
	Y1P598040	Right Hand Adapter (M36 x 24T) Italian Thread (SM-BBR60)
10	Y1RR98030	Gear Fixing Bolt & Spacer (1 Unit = 4 sets)
11	Y1RR98040	Chain Guard Fixing Bolt (1 Unit = 4 pcs.)
12	Y1RR11000	46T Chain Guard
13	Y1RR32000	Chainring 32T-MN
14	Y1RR98050	Chainring 46T-MN
15	Y1MM98100	Gear Fixing Bolt (M8 x 8.5 / 1 Unit = 4 pcs.)
* 16	Y1RR13000	42T Chain Guard
17	Y1RR42000	Chainring 42T
18	Y13009260	TL-FC25 Adapter Installation Tool
19	Y13009270	TL-FC37 Adapter Installation Tool

Jun.-2016-3966A
© Shimano Inc. I

Specifications are subject to change without notice.

SHIMANO