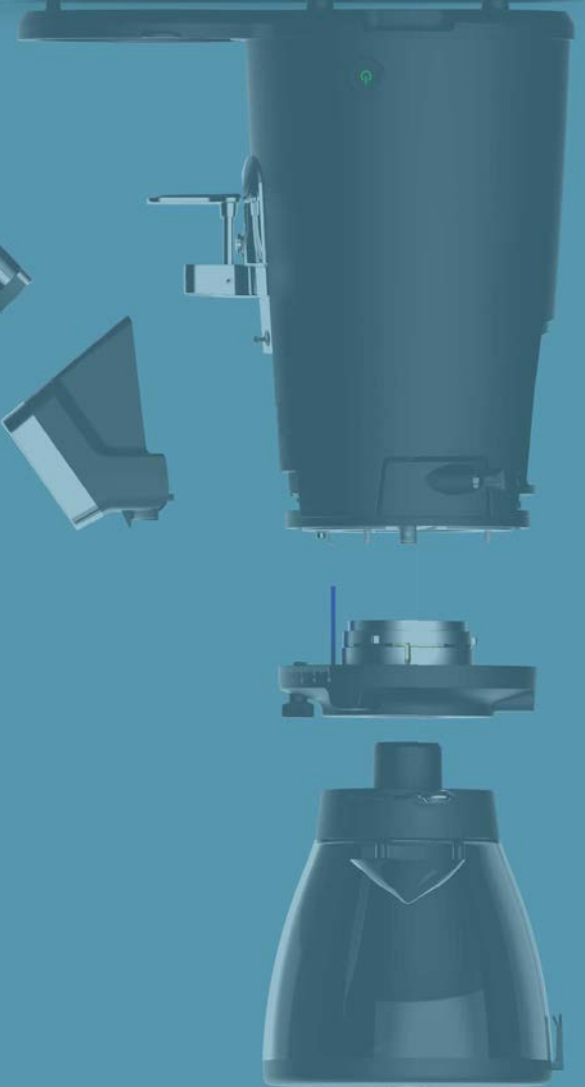


# COMPAK

# BORN TO- GRIND



2024 CATALOGUE



**COMPAK**

# COMPAK i6 Pro

Simply Effective.

The all NEW i6 Pro sets the standard for the low-mid volume demands in the professional grinder category. Its simplicity is its strength, whilst the 64mm hardened Steel Burrs enable it to cope with tough assignments. The i6 pro, high-level performance at a highly accessible price point.

RRP - £940.00 +VAT



**1250G HOPPER WITH BAG CLIP**

Proudly display point of sale assets and information at eye level.



**FAST CLUMP FREE DELIVERY**

Low noise burr design with new anti-static device for industry leading grounds delivery.



**QUICK ADJUST TOUCH PAD**

Uncomplicated, ergonomic and future proof.

# BORN TO- GRIND



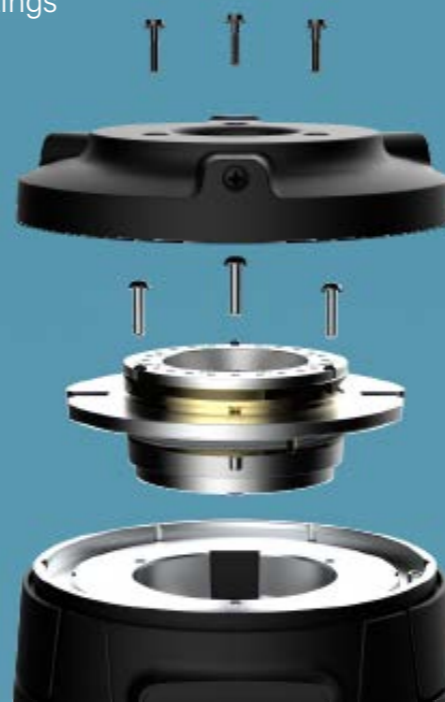
**2 DIMENSIONAL PORTAFILTER FORK ADJUSTMENT**

Our most compatible portafilter fork EVER!



**EASY ACCESS BURR CHAMBER & SINGLE TOOL MAINTENANCE**

Make cleaning, adjustments and burr changing quicker than ever, with added convenience of retaining its grind settings after re-assembling.



Burr Size	64	mm
Reccomended Capacity	up to 2kg	/day
Motor Output	375	w
Motor Speed	1310	rpm
Grind Speed	2.8	g/s
Hopper Capacity	1.25	kg
Dimensions h/w/d	600 x 230 x 385	mm
Typical Burr Life	600	kg

# COMPAK i8 Pro

Simply Powerful.

The most accomplished member of the i-Series family, the i8 Pro is a powerhouse. The 83mm hardened steel burrs and powerful motor ensure it will cope with the heavy demands of a modern hospitality environment. In a value-performance analysis, nothing comes close to the i8 Pro.

RRP - £1,150.00 +VAT



**1250G HOPPER WITH BAG CLIP**

Proudly display point of sale assets and information at eye level.



**FAST CLUMP FREE DELIVERY**

Low noise burr design with new anti-static device for industry leading grounds delivery.



**QUICK ADJUST TOUCH PAD**

Uncomplicated, ergonomic and future proof.

# BORN TO-GRIND



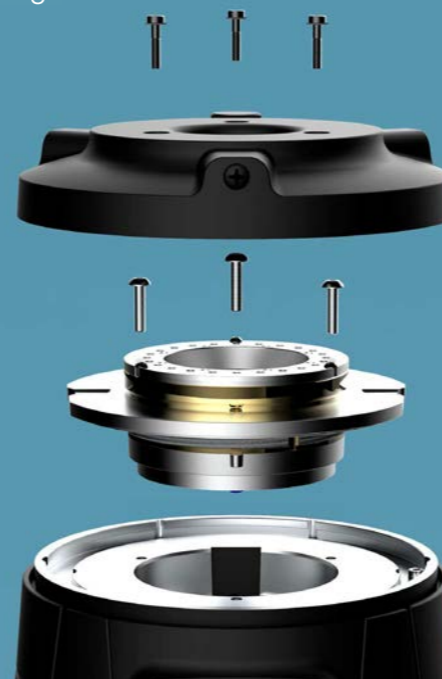
**2 DIMENSIONAL PORTAFILTER FORK ADJUSTMENT**

Our most compatible portafilter fork EVER!



**EASY ACCESS BURR CHAMBER & SINGLE TOOL MAINTENANCE**

Make cleaning, adjustments and burr changing quicker than ever, with added convenience of retaining its grind settings after re-assembling.



Burr Size	83	mm
Reccomended Capacity	up to 5kg	/day
Motor Output	630	w
Motor Speed	1310	rpm
Grind Speed	4.2	g/s
Hopper Capacity	1.25	kg
Dimensions h/w/d	600 x 230 x 385	mm
Typical Burr Life	800	kg

# COMPAK E6

## Technical Excellence

With a complete visual and performance overhaul, the old favourite will feel a world apart. Packed full of features, the 64mm burrs will offer performance beyond it's specs. Now with single tool maintenance and easy access burrs for seamless grinding, look no further.

RRP - £1,315.00 +VAT



HIGH-TECH FEATURE RICH TOUCH CONTROL

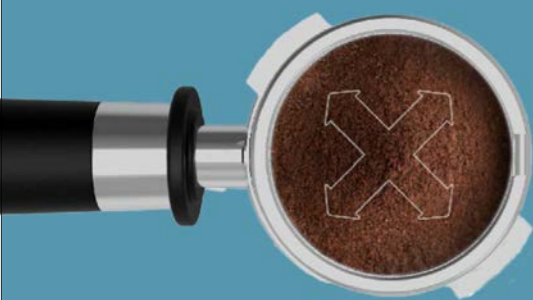
2.8" full colour touch display with scrolling dose setting.



REAR LED's AND FAN

An elegant backlit logo sitting above an additional cooling fan.

# BORN TO-GRIND



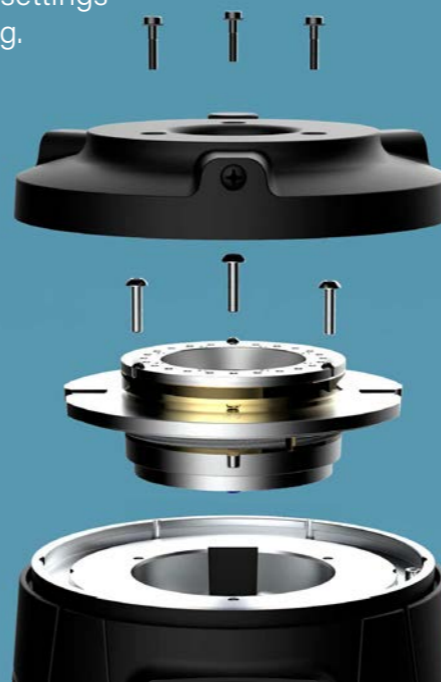
**FAST, QUIET, CLUMP FREE GRINDING**

Low noise burr design with new anti-static device for industry leading grounds delivery



**EASY ACCESS BURR CHAMBER & SINGLE TOOL MAINTENANCE**

Make cleaning, adjustments and burr changing quicker than ever, with added convenience of retaining its grind settings after re-assembling.



**2 DIMENSIONAL PORTAFILTER FORK ADJUSTMENT**

Our most compatible portafilter fork EVER.

Burr Size	64	mm
Reccomended Capacity	up to 4kg	/day
Motor Output	630	w
Motor Speed	1310	rpm
Grind Speed	2.8	g/s
Hopper Capacity	1.25	kg
Dimensions h/w/d	600 x 230 x 385	mm
Typical Burr Life	600	kg

# COMPAK E8 LOCK & LOAD

Effortless Performance.

The iconic E8 is now better than ever. Coupled with all the features you come to expect from the E-series, with the added convenience and ingenuity of the Lock & Load System, cleaning and burr changes can be completed in minutes. Whisper quiet 83mm flat burrs and top of class grounds delivery at speed.

RRP - £1,625.00 +VAT



HIGH-TECH FEATURE RICH  
TOUCH CONTROL

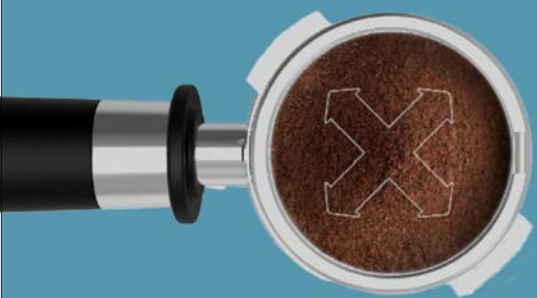
2.8" full colour touch display with scrolling dose setting.



REAR LED's AND FAN

An elegant backlit logo sitting above an additional cooling fan.

# BORN TO- GRIND



**FAST, QUIET,  
CLUMP FREE  
GRINDING**

Low noise burr design with new anti-static device for industry leading grounds delivery



**2 DIMENSIONAL PORTAFILTER  
FORK ADJUSTMENT**

Our most compatible portafilter fork EVER.



**LOCK AND LOAD**

Burr access at the flick of a switch, all without altering grind setting.



Burr Size	83	mm
Reccomended Capacity	up to 10kg	/day
Motor Output	630	w
Motor Speed	1310	rpm
Grind Speed	4.2	g/s
Hopper Capacity	1.25	kg
Dimensions h/w/d	600 x 230 x 385	mm
Typical Burr Life	800	kg

# COMPAK BOLT 83

Tradition re-imagined.

**BOLT**- the clue is in the name. Built for speed, the **BOLT** perfectly blends the convenience of pre-dosing, with the freshness of on-demand and offers harmonious switching between the two. The 83mm burrs mixed with queue busting technology, mean there is little the **BOLT** can't handle.

RRP - £1,950.00 +VAT



COMPAK



REAR LED'S AND FAN

An elegant back lit logo sits above an additional cooling fan.

HIGH-TECH FEATURE RICH TOUCH CONTROL

2.8" full colour touch display with scrolling dose setting.

# BORN TO- GRIND



INSTANT  
GROUNDS  
DELIVERY

Fresh or pre-dose option to prepare your next dose in the **BOLT**'s clever pre-dosing chamber.



LOCK AND LOAD

Burr access at the flick of a switch, all without altering grind setting. (optional)



Burr Size	83	mm
Recommended Capacity	up to 10kg	/day
Motor Output	630	w
Motor Speed	1310	rpm
Espresso Production	3	kg/h
Hopper Capacity	1.25	kg
Dimensions h/w/d	600 x 230 x 385	mm
Typical Burr Life	800	kg

# COMPAK PK100

## LAB

Configured for the laboratory, the PK100 Lab enables rapid grind changes and direct to portafilter grinding, coupled with advanced espresso burr geometry, to give low retention making single dosing espresso a breeze.

RRP - £2,800.00 +VAT



Easy to Switch  
between different  
styles of coffee



Ergonomic and Easy  
to use system



100% Cast Aluminium



55g +/-5g Dosing Cup

# COMPAK PK100

## SHOP

Optimized for filter brewing, the 'Shop' set-up uses specifically designed filter burrs, to increase uniformity of grind particle size distribution, for a cleaner cup, and the large hopper means your batch brews and retail coffee never tasted so good.

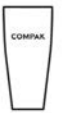
RRP - £2,800.00 +VAT



700g hopper  
with recipe card clip



Bag Holder  
for handsfree  
operation



340g Stainless Steel  
dosing cup

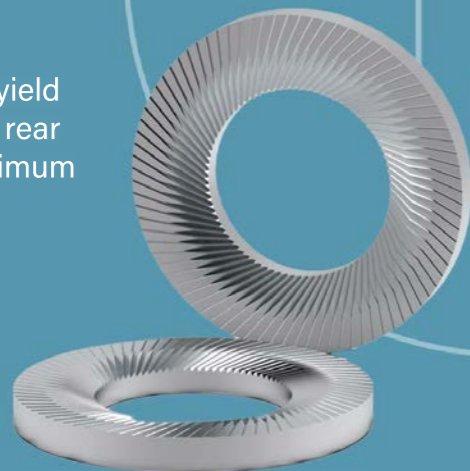


Easy Cleaning and  
Maintenance



## 98MM K110 STEEL BURRS

High extraction yield  
'blind' burrs, are rear  
secured for maximum  
cutting area.



## COOL AND CONSISTENT

A powerful 960W  
motor with low RPM  
and cooling fans keep  
the grinder  
temperature stable  
under pressure,  
offering consistency  
and reliability.



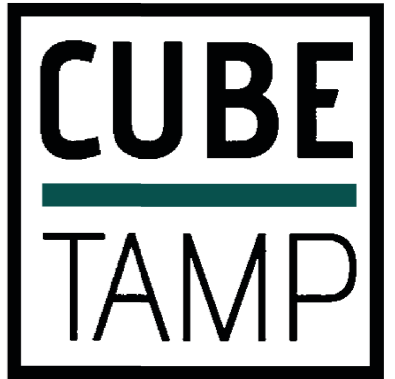
Burr Size	98	mm
Typical Burr Life	9000	kg
Motor Output	960	w
Motor Speed	900	rpm
Grind Speed (espresso)	5.5	g/s
Grind Speed (Filter)	10	g/s
Hopper Capacity	60/750	g
Dimensions h/w/d	622 x 252 x 328	mm



# COMPAK CUBE

The Compak CUBE auto-tamp is the final piece of the puzzle when it comes to efficiency, consistency and workflow management. With controllable tamping pressure, lockable portafilter adjustment and striking looks, is it time to add the CUBE to your impressive workforce?

RRP - £805.00 +VAT



## HANDS FREE OPERATION

for improved work-flow and efficiencies.



## QUICK ADJUST PORTAFILTER FORK AND SENSOR

Easily move the portafilter fork and proximity sensor to fit any type of portafilter.



## LOCKABLE ADJUSTMENT WHEEL

Lockable adjustment wheel - greatly reduces portafilter movement during operation



Temperature (°C and °F)



Humidity (%)



## INTUITIVE TOUCH PAD

Control the pressure of your tamp at the push of a button and manoeuvre the tamp head for cleaning.



## CONSISTENT AND PRECISE TAMP PRESSURE

Guarantees the same results time and again.

Available Tamp Dimensions

58.5mm

58.3mm

54.0mm

53.0mm

# COMPAK EXTRAS



## COFFEE HOPPER OPTIONS

We understand that one size doesn't fit all and offer a full range of hopper sizes to accommodate. Whether you need a small hopper for a rare single batch or a large 1.8kg hopper with an unique new look, we've got you covered.



1800G HOPPER +£90.00\*



700G HOPPER £0.00\*



400G HOPPER +£50.00\*

\*cost to upgrade hopper options when ordering a new grinder. Refer to parts list for additional hopper costs.



## RED SPEED BURRS

Our Aluminium Titanium Nitrate coated hardened steel burrs last up to 5x longer than steel. The harder material cuts better for longer with a low friction coefficient and reduced heat production. Red Speed Burrs are simply more efficient.

64mm +£150.00\*

83mm +£245.00\*



\*cost to upgrade burr option when ordering a new grinder.



## CUSTOM LOGO LED PANEL £ POA

Add your logo to our E6, E8 LLS and BOLT grinders. This seal of approval enhances your brand exposure and deepens the connection with your customers.



## CUSTOM RAL COLOUR £0.00

The world isn't always black and white, so why should your grinder be? We can customise your E-series or BOLT grinder with any RAL paint colour... dare to be different.

\*not available on i-Series grinders

All prices are subject to VAT.