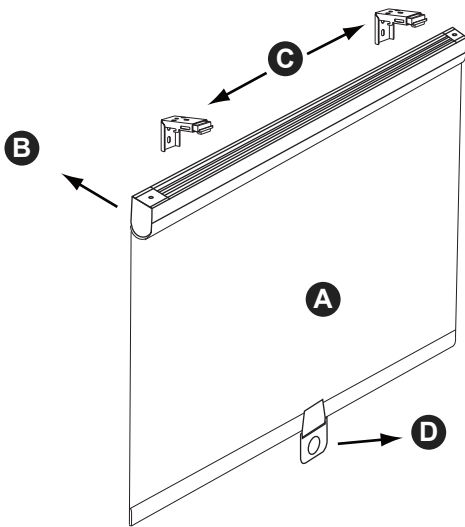


INSTALLATION INSTRUCTIONS



Package Content

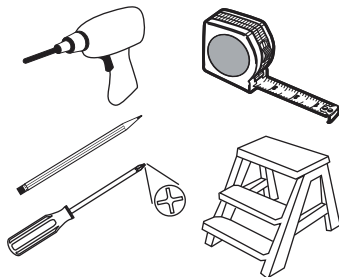
Shade size	A Shade	C Bracket	D Handle	aa Bracket Screw	bb Wall Anchor
23" x 64"	1	2	1	4	4
27" x 64"	1	2	1	4	4
29" x 64"	1	2	1	4	4
31" x 64"	1	2	1	4	4
34" x 64"	1	2	1	4	4

Please read and understand these instructions before attempting to assemble, install, or operate this product.

Step 1 - Checklist

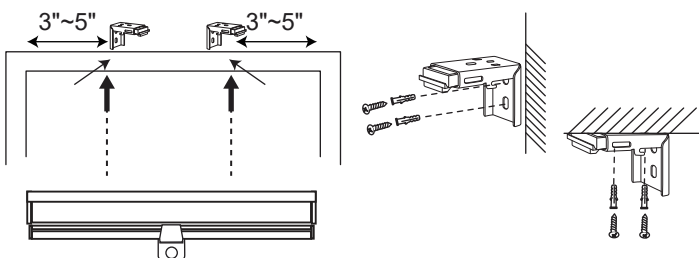
You'll need the following tools:

- Drill (manual or electric)
- Pencil
- Measuring tape
- Step Ladder
- Cross Head Screwdriver



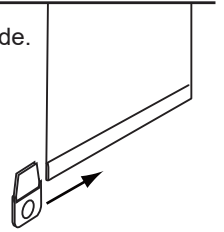
Step 2 - Mounting Brackets

- The brackets hold the (B) at either end of it. Please leave 3~5" from ends of headrail to mount the brackets appropriately to either the wall/window frame or ceiling.
- Wall Mounting: Fix the brackets (C) onto the wall/window frame. Apply the bracket screws (aa) through the front-view holes of bracket (C) into the holes on the backplate, and screw in until securely fastened to the wall/window frame.
- Ceiling Mounting: Fix the brackets (C-1) onto the ceiling. Apply one bracket screw (aa) through the top hole to secure it to the ceiling.



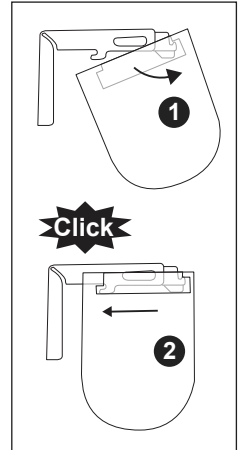
Step 3 - Apply Handle

- Insert handle into bottom of shade from side.
- Slide it into center of shade.

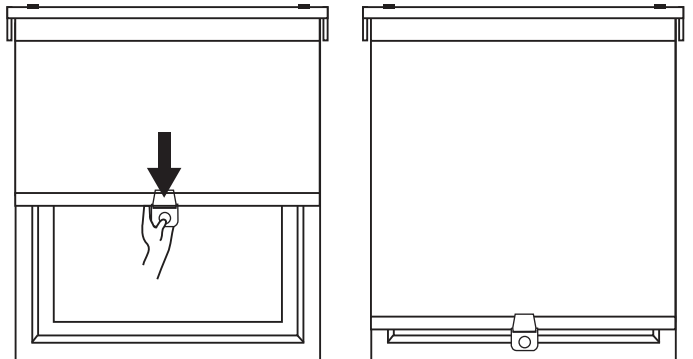


Step 4 - Fitting the Shade & Secure the headrail to the brackets

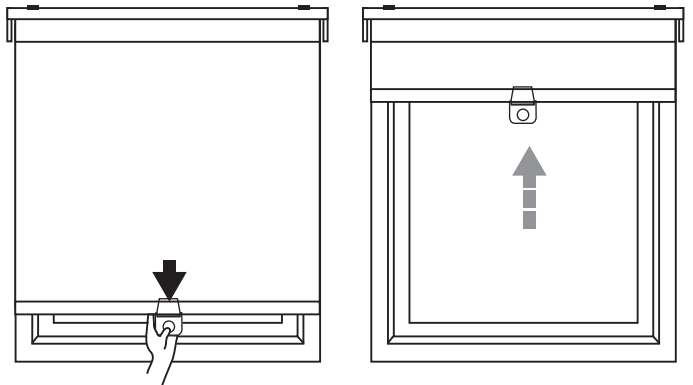
- Hold the shade and turn headrail (B) sideways to accommodate white plastic tip of brackets into the inner slot of headrail.
- Turn headrail upright until hearing a "click" sound.
- Make sure the shade is firmly secured and mounted on the brackets before pulling down the shade.
- To dismount the shade off the brackets, push the headrail inwards to loosen it off, then take it down sideways.



Step 5 - Operation of your shade



- To lower the shade:
Pull the handle to lower down the shade till the level desired, pull the handle again to stop it.



- To raise the shade:
Pull the handle slightly and loosen it to lift up the shade automatically.

Step 6 - How to Maintain your shade

- Dust your shades regularly with a soft clean cloth or a feather duster.
- Sponge clean only with a soft clean cloth.
- Lower the shade to its fullest length for complete cleaning.