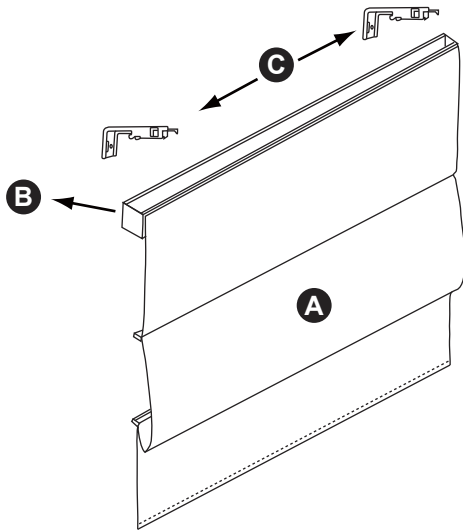


INSTALLATION INSTRUCTIONS



Package Content

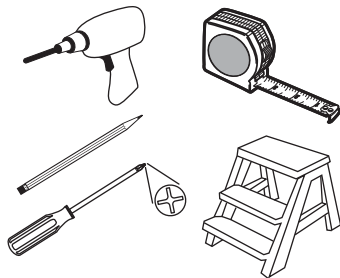
Shade size	A Roman Shade	C Bracket	aa Bracket Screw	bb Wall Anchor
23" x 64"	1	2	4	4
27" x 64"	1	2	4	4
29" x 64"	1	2	4	4
31" x 64"	1	2	4	4
34" x 64"	1	2	4	4
39" x 64"	1	2	4	4
45" x 64"	1	3	6	6
48" x 64"	1	3	6	6

Please read and understand these instructions before attempting to assemble, install, or operate this product.

Step 1 - Checklist

You'll need the following tools:

- Drill (manual or electric)
- Pencil
- Measuring tape
- Step Ladder
- Cross Head Screwdriver

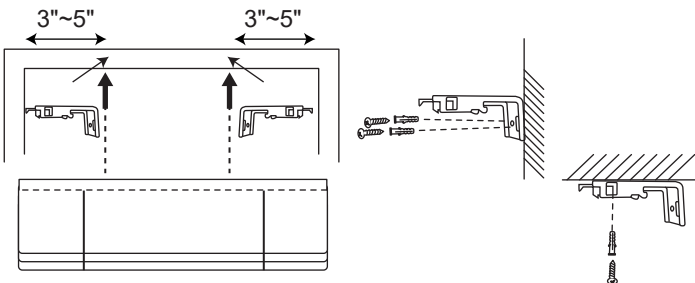


Step 2 - Mounting Brackets

• The brackets hold the rail at either end of it. Please leave 3~5" from ends of headrail to mount the brackets appropriately to either the wall/window frame or ceiling.

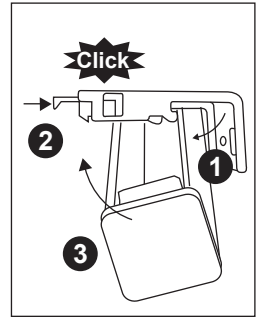
• Wall Mounting: Fix the brackets (C) onto the wall/window frame. Apply the bracket screws (aa) through the front-view holes of bracket (C) into the holes on the backplate, and screw in until securely fastened to the wall/window frame.

• Ceiling Mounting: Fix the brackets (C) onto the ceiling. Apply one bracket screw (aa) through the top hole to secure it to the ceiling.

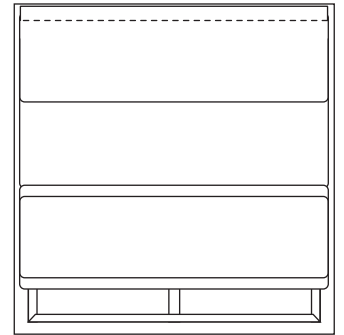
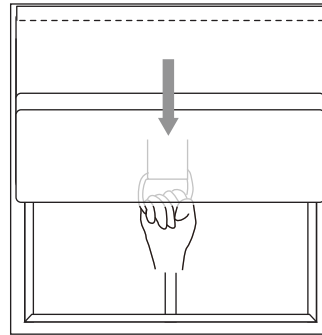


Step 3 - Fitting the Shade & Secure the headrail to the brackets

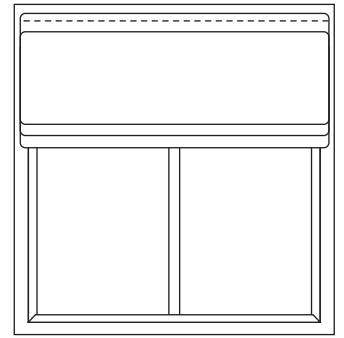
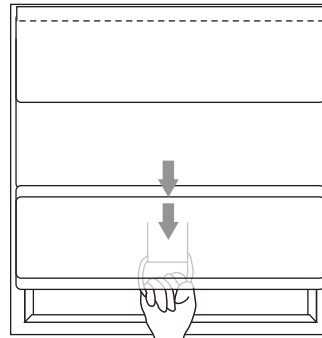
- Place headrail (B) onto brackets (C) with 2 hooks of bracket to securely support inner back groove of headrail.
- Push the clear tab on bracket to insert the headrail firmly secured by hearing a "Click" sound.



Step 4 - Operation of your shade



- To lower the shade:
Pull the handle in the back to lower down the shade till the level desired, pull the handle again to stop it.



- To raise the shade:
Pull the handle in the back of shade twice to release the shade, lift it up to desired level, pull the handle again to stop it.

Step 5 - How to Maintain your shade

- Dust your shades regularly with a soft clean cloth or a feather duster.
- Sponge clean only with a soft clean cloth.
- Lower the shade to its fullest length for complete cleaning.