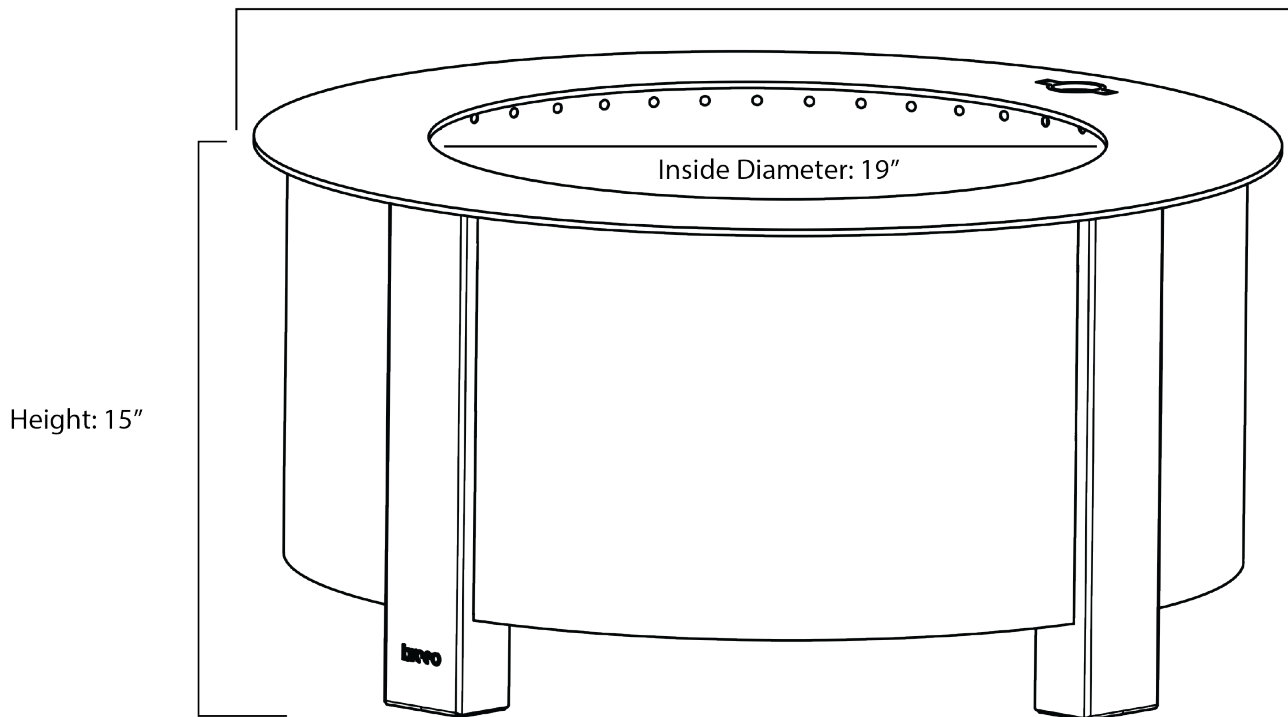


BREEO

X SERIES 19" SMOKELESS FIRE PIT SPECIFICATIONS

Outside Diameter: 23.5"



Material:

Outer Ring: COR-TEN Steel

Legs: Stainless Steel

Sear Plate: Stainless Steel

Inner Fire Bowl: Steel

Inside Diameter:	19 in.	Inside Height:	11.5 in.
Outside Diameter:	23.5 in.	Total Height:	15 in.
Outside Diameter of Legs:	22 in.	Weight:	56 lbs.
Flange Width:	4.5 in.		

**Built with Inferno X Airflow™ Technology
Patent-Pending**

**X Series 19" Smokeless Fire Pit
SKU: PX-19SLFP**

All Breeo Smokeless Fire Pits have been handcrafted in the USA.